



GENERAL FUELING PRODUCTS

# Husky Catalog



# Husky®

GENERAL FUELING PRODUCTS

## Table of Content

### NOZZLES

#### 1-0 Conventional

##### Husky 1A

Metal Hand Guard .....	1-1
Rebuilt Metal Hand Guard .....	1-17
Polymer Hand Guard .....	1-2
Rebuilt Polymer Hand Guard .....	1-18

##### Husky X

Standard .....	1-4
BSPP .....	1-5
Cold Weather .....	1-6
Double Poppet .....	1-7
Rebuilt .....	1-8
Sightglass .....	1-9
Rebuilt Cold Weather .....	1-19
EZ Lever PGH .....	1-27
WPHG PGH .....	1-44

##### Husky XS®

Standard .....	1-10
BSPP .....	1-11
Cold Weather .....	1-12
Double Poppet .....	1-13
MFM .....	1-14
Rebuilt .....	1-15
Sightglass .....	1-16
Rebuilt Cold Weather .....	1-20
PHG .....	1-28
XS EZ Lever PGH .....	1-32
XS MFM .....	1-40
XS EZ Lever Cold Weather PGH .....	1-42
XS Cold Weather PGH .....	1-43
Bellows Splash Guard .....	1-45
XS EZ Lever BSP PGH Sightglass .....	1-46

##### Husky Eco

Enhanced Conventional .....	1-33
-----------------------------	------

##### Husky 1AS

Polymer Hand Guard .....	1-36
Metal Hand Guard .....	1-37
Cold Weather Metal Hand Guard .....	1-38
Cold Weather Polymer Hand Guard .....	1-39

#### 2-0 Farm and Commercial

##### Husky 1GS

Aluminum Hand Guard .....	2-1
Polymer Hand Guard .....	2-2
Rebuilt .....	2-3
Cold Weather .....	2-5
Rebuilt Metal Hand Guard .....	2-7

##### Husky XFS

Standard .....	2-4
Rebuilt .....	2-6

##### Husky 1GSS

Polymer Hand Guard .....	2-8
Metal Hand Guard .....	2-9
Cold Weather Polymer .....	2-10
Cold Weather Metal .....	2-11

#### 3-0 Diesel Exhaust Fluid

DEF Stainless Steel .....	3-1
DEF Polymer .....	3-2
DEF X Nozzles .....	3-3
DEF X Low Volume Nozzles .....	3-4

#### 4-0 Truck and High Volume

1690/1691 .....	4-1
1690 Cold Weather .....	4-2

##### Husky 1HS

Aluminum Hand Guard .....	4-3
Polymer Hand Guard .....	4-4

##### Husky VIII

Standard .....	4-5
BSPP .....	4-6
Cold Weather .....	4-7
Rebuilt .....	4-11
VIII Nozzles .....	4-14
VIII Cold Weather .....	4-16
Rebuilt .....	4-18
BSPP .....	4-20

##### Husky VIIIS

Standard .....	4-8
BSPP .....	4-9
Cold Weather .....	4-10
Rebuilt .....	4-12
Rebuilt BSPP .....	4-13
Standard .....	4-15
Cold Weather .....	4-17
Rebuilt .....	4-19

##### Husky 1HSS

Polymer Hand Guard .....	4-23
Metal Hand Guard .....	4-24
Cold Weather Polymer .....	4-25
Cold Weather Metal Hand Guard .....	4-26

#### 5-0 Vapor Recovery

##### Husky V34

Standard .....	5-4
Coax Nozzle .....	5-5
Double Poppet .....	5-6
ORVR Vacuum Assist .....	5-7





# Husky®

## GENERAL FUELING PRODUCTS

<b>Husky V34i</b>	
Standard .....	5-8
Double Poppet .....	5-9
Double Poppet / Cold Weather .....	5-10
<b>Husky V34iA</b>	
Double Poppet .....	5-11
<b>Husky 34iS</b>	
Standard .....	5-12
Double Poppet .....	5-13
<b>Husky V34iSA</b>	
Double Poppet .....	5-1
<b>Husky V34iSK</b>	
Double Poppet Sightglass .....	5-2

### 6-0 Ethanol Fueling

X E25 .....	6-5
X E85 .....	6-1
XS E25 .....	6-6
XS E25 Cold Weather .....	6-8
XS E85 .....	6-3
XS E85 Cold Weather .....	6-4

### 8-0 Whiskey Nozzles

WN .....	8-1
X WN .....	8-2
1A WN .....	8-3
VIII WN .....	8-4
1690 WN .....	8-5

## ACCESSORIES

### 9-0 Swivels

<b>Conventional</b>	
Standard .....	9-1
Inline .....	9-2
<b>Farm &amp; Commercial</b>	
Standard .....	9-3
Truck & High Volume .....	9-4
Vapor Recovery .....	9-5
<b>Truck &amp; High Volume</b>	
High Volume .....	9-6
Ultra High Flow .....	9-7
<b>Diesel Exhaust Fluid (DEF)</b>	
DEF Swivel .....	9-8
<b>Ethanol Fueling</b>	
E85 Swivel .....	9-9

### 10-0 Safe-T-Breaks

<b>Conventional</b>	
Standard .....	10-1
MagBreak® .....	10-2
<b>Farm &amp; Commercial</b>	
Standard .....	10-3
Truck & High Volume .....	10-4
<b>Diesel Exhaust Fluid</b>	
Husky DEF .....	10-5
<b>Truck and High Volume</b>	
Truck & High Volume .....	10-6
<b>Vapor Recovery</b>	
Balance Vapor .....	10-7
Vacuum Assist Standard STB .....	10-8
Vac Assist MagBreak® .....	10-10
Inline STB .....	10-12
<b>Ethanol Fueling</b>	
E85 STB .....	10-9
E25 STB .....	10-11
E25/E85 MagBreak® .....	10-14

### 11-0 Swivel / Safe-T-Break Combos

Conventional .....	11-1
Truck & High Volume .....	11-2
Inline Combo .....	11-3

### 12-0 Guards

Nozzle and STB Guards .....	12-1
Nozzle POPD™ Guards .....	12-2

### 13-0 Spouts

X and XS Spout Assembly .....	13-1
1GS Spout Assembly .....	13-3
DEF Spout Assembly .....	13-4
VIII and VIIS Spout Assembly .....	13-5
V, V3 and V34 Spout Assembly .....	13-6
E85 Spout Assembly .....	13-7

### 14-0 Pressure/Vacuum Vents

Standard .....	14-1
CARB .....	14-2

### 15-0 Test & Maintenance

Nozzle Service Kit .....	15-1
HCA Hose Conversion Adaptor .....	15-2



**GENERAL FUELING PRODUCTS**

**16-0 Flo-Equalizer™**

**Conventional Systems**

Husky 004490, 007490 ..... 16-1

**Recovery Systems**

Husky 005827 ..... 16-1

Husky 005837 ..... 16-2

**17-0 DEF Adaptors**

Stainless Steel Adaptors (007214, 007285, 007356, 008413, 010579 and 010675, 011477 and 012872) ..... 17-1

Polymer Adaptors (010227, 010549, 010551 and 010553) ..... 17-1

**HOSES**

**18-0 Curb Hoses**

**Curb Hoses**

EagleFlex® Hardwall ..... 18-1

EagleFlex® Softwall ..... 18-2

Flex® Wirebraid ..... 18-3

Low Perm Hardwall Hose ..... 18-7

**Farm Fueling Hoses**

Premier ..... 18-4

**Farm Fueling Hoses**

Whip Hoses ..... 18-5

Low Perm Whip Hose ..... 18-8

DEF Dispensing Hoses ..... 18-6

Fuel Oil Hose ..... 18-9

E0-E85 Hose ..... 18-10

**19-0 EZ-Connect**

EZ-Connect ..... 19-1



GENERAL FUELING PRODUCTS

# Conventional Nozzles

# 1A Nozzles



1-1

CONVENTIONAL FUELING

Automatic shut-off nozzle with metal handguard for full-service and self-service stations.

- 1A nozzle shuts off when the gas tank is full.
- Aluminum reinforced spout bushing keeps the spout tip round and acts as a captive fastener to prevent tip-end sensor damage.
- Nozzle is equipped with a unique Flo-Stop® device that shuts off the nozzle if it falls from the fill tank or raises above the horizontal.
- *StreamShaper*® reduces turbulence for straighter fuel flow and less splash back spillage.
- Comes standard with smooth full grip guard.



## New Unleaded Nozzles with NPT

MODEL NO.	DESCRIPTION	SHIPPING WEIGHT LBS (KG)
696104N <sup>^</sup>	with Three Notch Hold Open Clip	3.3 (1.4)
696108	without Hold Open Clip	3.3 (1.4)
696159N <sup>^</sup>	with Three Notch Hold Open Clip, and Waffle Splash Guard	3.3 (1.4)
696172N <sup>^</sup>	with Three Notch Hold Open Clip, Waffle Splash Guard and Reducer Bushing	3.3 (1.4)
691209N <sup>^</sup>	with Three Notch Hold Open Clip and Reducer Bushing	3.3 (1.4)

<sup>^</sup> NOT LISTED

## New Unleaded Nozzles with BSPP

MODEL NO.	DESCRIPTION	SHIPPING WEIGHT LBS (KG)
696116N <sup>^</sup>	with Three Notch Hold Open Clip	3.4 (1.5)
696120	without Hold Open Clip	3.4 (1.5)

<sup>^</sup> NOT LISTED

## New Light Duty Diesel Nozzles with NPT

MODEL NO.	DESCRIPTION	SHIPPING WEIGHT LBS (KG)
696103N <sup>^</sup>	with Three Notch Hold Open Clip	3.4 (1.5)
696107	without Hold Open Clip	3.4 (1.5)
696173N <sup>^</sup>	with Three Notch Hold Open Clip, Waffle Splash Guard and Reducer Bushing	3.4 (1.5)
1411303N <sup>^</sup>	with Two Notch Hold Open Clip, EZ Lever and Full Grip Guard	3.4 (1.5)
6961208N <sup>^</sup>	with Three Notch Hold Open Clip and Reducer Bushing	3.4 (1.5)

<sup>^</sup> NOT LISTED

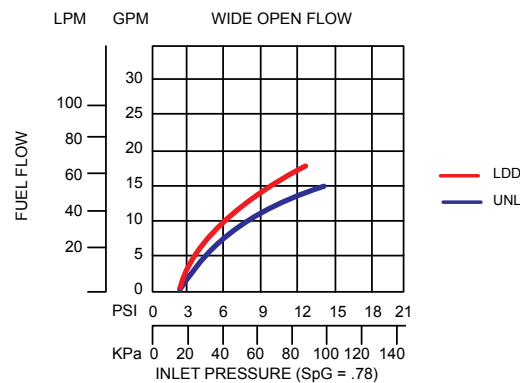
## New Light Duty Diesel Nozzles with BSPP

MODEL NO.	DESCRIPTION	SHIPPING WEIGHT LBS (KG)
696115N <sup>^</sup>	with Three Notch Hold Open Clip	3.4 (1.5)
696119	without Hold Open Clip	3.4 (1.5)

<sup>^</sup> NOT LISTED

## Construction

Body	One piece die cast aluminum
Seals	Fluorocarbon
Packing	Double o-ring seal protected by fiber reinforced Teflon®
Lever	One piece contoured steel with hard plastic cover
Inlet	1" / 25.4 mm NPT and BSPP



WARNING: Cancer and Reproductive Harm - www.P65Warnings.ca.gov

Automatic shut-off nozzle with metal handguard for full-service and self-service stations.

## Dimensions and System Options

### Safe-T-Breaks®

MODEL NO.	DESCRIPTION
002276	1" F x 1" F NPT Reconnectable Safe-T-Break®
005812	1" F x 1" F NPT Non-Reconnectable Safe-T-Break®
006301	1" F x 1" F NPT Non-Reconnectable PCC Safe-T-Break®
005231	1" F x 1" F NPT Low Pull Reconnectable Safe-T-Break®
003076	1" F x 1" F BSPP Reconnectable Safe-T-Break®
003076A	1" F x 1" F BSPP Reconnectable Safe-T-Break® - Atex
006914	1" F x 1" F BSPP Non-Reconnectable Safe-T-Break®

### Swivels

MODEL NO.	DESCRIPTION
000087	1" M x 1" F NPT Multi-Plane Swivel
004860	1" M x 1" F NPT Multi-Plane High Flow Swivel
000095	1" M x 1" F NPT 70° Pump Swivel
003395	1" M x 1" F NPT Multi-Plane Restricted Swivel
000352	1" M x ¾" F NPT Multi-Plane Swivel
000356	1" M x ¾" F NPT Multi-Plane Swivel Anodized Black
003306	1" M x 1" F BSPP Multi-Plane Swivel
003306A	1" M x 1" F BSPP Multi-Plane Swivel - Atex
006949	1" M x 1" F BSPP Multi-Plane High Flow Swivel

### Swivel/Safe-T-Break® Combos

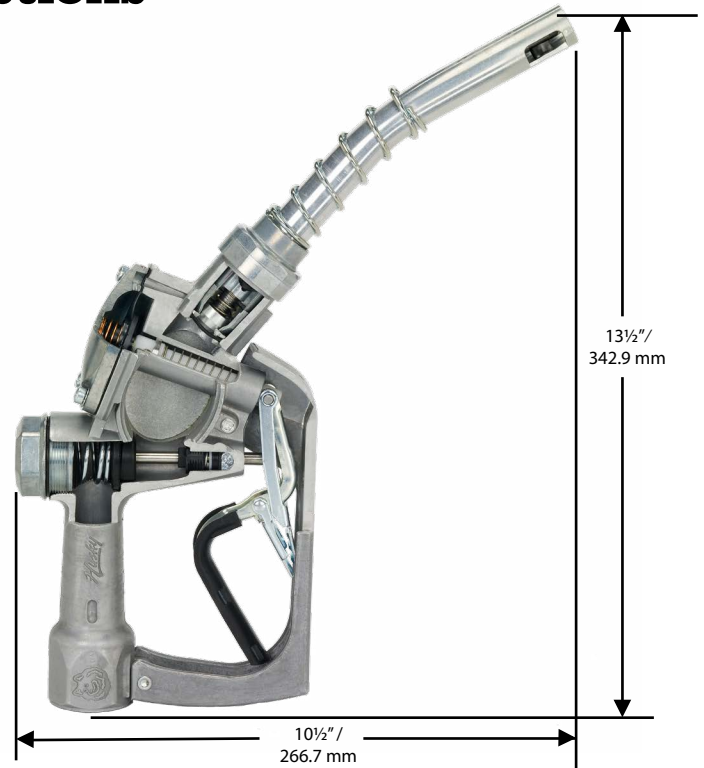
MODEL NO.	DESCRIPTION
005969	1" M NPT Multi-Plane Swivel connected to 1" F NPT Reconnectable Safe-T-Break®
008015	1" M BSPP Multi-Plane Swivel connected to 1" F BSPP Reconnectable Safe-T-Break®
008015A	1" M BSPP Multi-Plane Swivel connected to 1" F BSPP Reconnectable Safe-T-Break® - Atex

### Spouts

MODEL NO.	DESCRIPTION
001473	Unleaded Spout without Flo-Stop®
010434	Unleaded Long Spout without Flo-Stop®
001471	Light Duty Diesel Spout without Flo-Stop® with StreamShaper®
010353	Light Duty Diesel Long Spout without Flo-Stop®

### Accessories, Testing and Maintenance

MODEL NO.	DESCRIPTION
007089	Nozzle Service Kit
003593	Hold Open Clip Kit
000397	Unleaded Spout Gauge
000385	1" M x ¾" F Reducer Bushing



### Pressure/Vacuum Vents

MODEL NO.	DESCRIPTION
004620	2" Slip-On Pressure Vacuum Vent
004885	2" Thread-On Pressure Vacuum Vent - NPT
005885	2" Thread-On Pressure Vacuum Vent with Internal Screen - NPT

### Guards

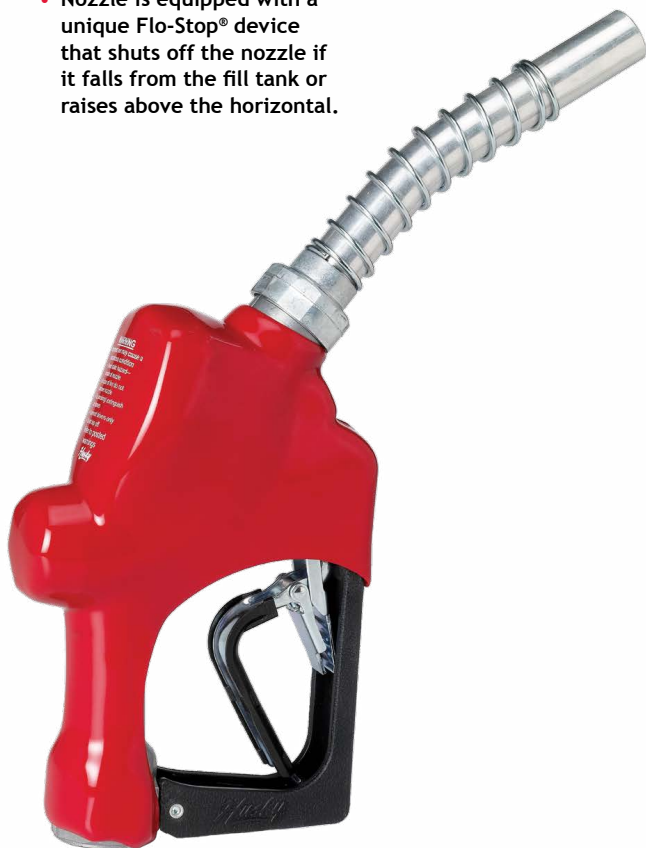
MODEL NO.	DESCRIPTION
000554	Full Grip Guard
001804	Full Grip Reguard
005494	Lever Guard
003376	Mate Handle Guard
000226	Mate Nozzle Guard
008180	POPD® EZH Nozzle Guard
008179	POPD® EZS Nozzle Guard
007999	POPD® H Clear Cover
008170	POPD® H Mate Nozzle Guard
008183	POPD® H Full Grip Guard
008190	POPD® H Full Grip Reguard
006628	POPD® S Clear Cover
006655	POPD® S Full Grip Guard
007210	POPD® S Full Grip Reguard
008169	POPD® S Mate Nozzle Guard
000099	Protection Package
001811	Reguard Protection Package
001808	Waffle Splash Guard

# 1A Nozzles



Automatic shut-off nozzle with polymer handguard for full-service and self-service stations.

- 1A nozzle shuts off when the gas tank is full.
- Aluminum reinforced spout bushing keeps spout tip round and acts as a captive fastener to prevent tip-end sensor damage.
- Nozzle is equipped with a unique Flo-Stop® device that shuts off the nozzle if it falls from the fill tank or raises above the horizontal.
- StreamShaper® reduces turbulence for straighter fuel flow and less splash back spillage.
- Comes standard with smooth full grip guard.



## New Unleaded Nozzles with NPT

MODEL	DESCRIPTION	SHIPPING WEIGHT LBS (KG)
209804N <sup>^</sup>	with Three Notch Hold Open Clip	3.3 (1.4)
209808	without Hold Open Clip	3.3 (1.4)
209859N <sup>^</sup>	with Three Notch Hold Open Clip and Waffle Splash Guard	3.3 (1.4)
209872N <sup>^</sup>	with Three Notch Hold Open Clip, Waffle Splash Guard and Reducer Bushing	3.3 (1.4)
2098114N <sup>^</sup>	with Three Notch Hold Open Clip and Spout Plug	3.3 (1.4)
1426404N <sup>^</sup>	with Two Notch Hold Open Clip, EZ Lever and Full Grip Guard	3.4 (1.5)
2098209N <sup>^</sup>	with Three Notch Hold Open Clip and Reducer Bearing	3.3 (1.4)
209843N <sup>^</sup>	with Single Notch Hold Open Clip	3.3 (1.4)

<sup>^</sup> NOT LISTED

## New Unleaded Nozzles with BSPP

MODEL	DESCRIPTION	SHIPPING WEIGHT LBS (KG)
209816N <sup>^</sup>	with Three Notch Hold Open Clip	3.4 (1.5)
209820	without Hold Open Clip	3.4 (1.5)

<sup>^</sup> NOT LISTED

## New Light Duty Diesel Nozzles with NPT

MODEL	DESCRIPTION	SHIPPING WEIGHT LBS (KG)
209803N <sup>^</sup>	with Three Notch Hold Open Clip	3.4 (1.5)
209807	without Hold Open Clip	3.4 (1.5)
209861N <sup>^</sup>	with Three Notch Hold Open Clip and Waffle Splash Guard	3.4 (1.5)
1426403N <sup>^</sup>	with Two Notch Hold Open Clip, EZ Lever and Full Grip Guard	3.4 (1.5)
2098208N <sup>^</sup>	with Three Notch Hold Open Clip and Reducer Bushing	3.4 (1.5)
2098238 <sup>^</sup>	with Single Notch Hold Open Clip	3.4 (1.5)

<sup>^</sup> NOT LISTED

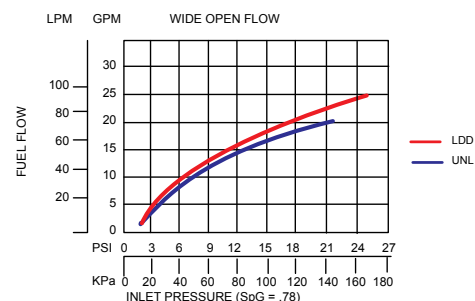
## New Light Duty Diesel Nozzles with BSPP

MODEL	DESCRIPTION	SHIPPING WEIGHT LBS (KG)
209815N <sup>^</sup>	with Three Notch Hold Open Clip	3.4 (1.5)

<sup>^</sup> NOT LISTED

## Construction

Body	Die cast aluminum body with black hand guard
Seals	Fluorocarbon
Packing	Double o-ring seal protected by fiber reinforced Teflon®
Lever	One piece contoured steel with hard plastic cover
Inlet	1" / 25.4 mm NPT and BSPP



WARNING: Cancer and Reproductive Harm - www.P65Warnings.ca.gov

Automatic shut-off nozzle with polymer handguard for full-service and self-service stations.

## Dimensions and System Options

### Safe-T-Breaks®

MODEL NO.	DESCRIPTION
002276	1" F x 1" F NPT Reconnectable Safe-T-Break®
005812	1" F x 1" F NPT Non-Reconnectable Safe-T-Break®
006301	1" F x 1" F NPT Non-Reconnectable PCC Safe-T-Break®
005231	1" F x 1" F NPT Low Pull Reconnectable Safe-T-Break®
003076	1" F x 1" F BSPP Reconnectable Safe-T-Break®
003076A	1" F x 1" F BSPP Reconnectable Safe-T-Break® - Atex
006914	1" F x 1" F BSPP Non-Reconnectable Safe-T-Break®

### Swivels

MODEL NO.	DESCRIPTION
000087	1" M x 1" F NPT Multi-Plane Swivel
004860	1" M x 1" F NPT Multi-Plane High Flow Swivel
000095	1" M x 1" F NPT 70° Pump Swivel
003395	1" M x 1" F NPT Multi-Plane Restricted Swivel
000352	1" M x 3/4" F NPT Multi-Plane Swivel
000356	1" M x 3/4" F NPT Multi-Plane Swivel Anodized Black
003306	1" M x 1" F BSPP Multi-Plane Swivel
003306A	1" M x 1" F BSPP Multi-Plane Swivel - Atex
006949	1" M x 1" F BSPP Multi-Plane High Flow Swivel

### Swivel/Safe-T-Break® Combos

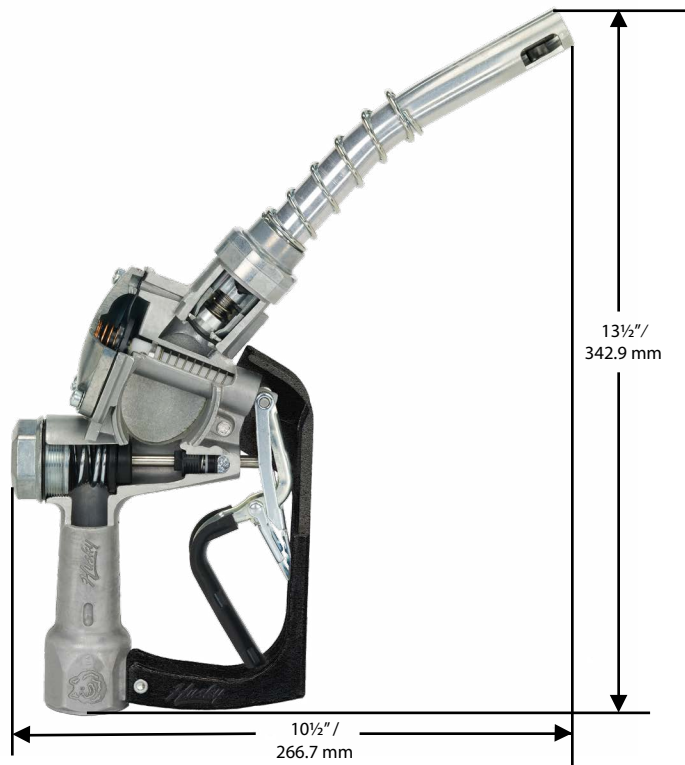
MODEL NO.	DESCRIPTION
005969	1" M NPT Multi-Plane Swivel connected to 1" F NPT Reconnectable Safe-T-Break®
008015	1" M BSPP Multi-Plane Swivel connected to 1" F BSPP Reconnectable Safe-T-Break®
008015A	1" M BSPP Multi-Plane Swivel connected to 1" F BSPP Reconnectable Safe-T-Break® - Atex

### Spouts

MODEL NO.	DESCRIPTION
001473	Unleaded Spout without Flo-Stop®
010434	Unleaded Long Spout without Flo-Stop®
001471	Light Duty Diesel Spout without Flo-Stop® with StreamShaper®
010353	Light Duty Diesel Long Spout without Flo-Stop®

### Accessories, Testing and Maintenance

MODEL NO.	DESCRIPTION
007089	Nozzle Service Kit
003593	Hold Open Clip Kit
000397	Unleaded Spout Gauge
000385	1" M x 3/4" F Reducer Bushing



### Pressure/Vacuum Vents

MODEL NO.	DESCRIPTION
004620	2" Slip-On Pressure Vacuum Vent
004885	2" Thread-On Pressure Vacuum Vent - NPT
005885	2" Thread-On Pressure Vacuum Vent with Interl Screen - NPT

### Guards

MODEL NO.	DESCRIPTION
000554	Full Grip Guard
001804	Full Grip Reguard
005494	Lever Guard
007295	Mate Handle Guard
000226	Mate Nozzle Guard
006628	POPD® Clear Cover
006655	POPD® Full Grip Nozzle Guard
007210	POPD® Full Grip Nozzle Reguard
008180	POPD® EZH Nozzle Guard
008179	POPD® EZS Nozzle Guard
007999	POPD® H Clear Cover
008170	POPD® H Mate Nozzle Guard
008183	POPD® H Full Grip Guard
008190	POPD® H Full Grip Reguard
008169	POPD® S Mate Nozzle Guard
000099	Protection Package
001811	Reguard Protection Package
001808	Waffle Splash Guard



2325 Husky Way • Pacific, MO 63069  
 (800) 325-3558 • Fax (636) 825-7300  
[www.husky.com](http://www.husky.com) • [sales@husky.com](mailto:sales@husky.com)

MADE IN THE U.S.A.





## Automatic shut-off nozzle for full-service and self-service stations.

- X nozzle shuts off when the gas tank is full.
- Comes standard with smooth full grip guard.
- Aluminum reinforced spout bushing keeps spout tip round and acts as a captive fastener to prevent tip-end sensor damage.
- Optional EZ lever:
  - two piece design cuts opening force in half
  - easier “to-the-penny” dispensing
  - ADA Compliant
- Nozzle is equipped with a unique Flo-Stop® device that shuts off the nozzle if it falls from the fill tank or raises above the horizontal.
- StreamShaper® reduces turbulence for straighter fuel flow and less splash back spillage.



### New Unleaded Nozzles

MODEL NO.	DESCRIPTION	SHIPPING WEIGHT LBS (KG)
159404N^	with Three Notch Hold Open Clip	3.0 (1.4)
E159404N^	with Three Notch Hold Open Clip	3.1 (1.4)
159408	without Hold Open Clip	3.0 (1.4)
159424N^	with Three Notch Hold Open Clip and Sightglass	2.9 (1.3)
159454N^	with Three Notch Hold Open Clip and Flo-Equalizer®	3.0 (1.4)
159459N^	with Three Notch Hold Open Clip and Waffle Splash Guard	2.7 (1.2)
E159459N^	with Three Notch Hold Open Clip, Waffle Splash Guard and Mate Guard	2.7 (1.2)
159468	without Hold Open Clip, with Waffle Splash Guard	2.7 (1.2)
159494N^	with Three Notch Hold Open Clip and POPD® S	2.7 (1.2)
1120404N^	with Two Notch Hold Open Clip and EZ Lever	3.0 (1.4)
159443N^	with Single Notch Hold Open Clip	3.0 (1.4)

^ NOT LISTED

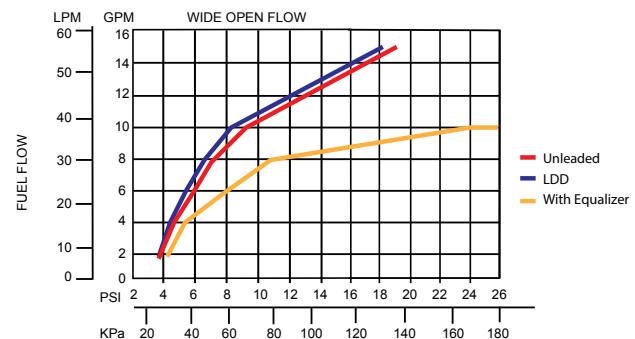
### New Light Duty Diesel Nozzles

MODEL NO.	DESCRIPTION	SHIPPING WEIGHT LBS (KG)
159403N^	with Three Notch Hold Open Clip	3.1 (1.4)
E159403N^	with Three Notch Hold Open Clip	3.1 (1.4)
159407	without Hold Open Clip	3.0 (1.4)
E159407	without Hold Open Clip	3.0 (1.4)
159463N^	with Three Notch Hold Open Clip and Waffle Splash Guard	2.8 (1.3)
159467	without Hold Open Clip, with Waffle Splash Guard	2.8 (1.3)
1594122N^	with Three Notch Hold Open Clip and POPD® H	2.8 (1.3)
1594134	without Hold Open Clip	2.8 (1.3)
1594137N^	with Three Notch Hold Open Clip and Waffle Splash Guard	2.8 (1.3)
1594238N^	with Single Notch Hold Open Clip	3.0 (1.4)

^ NOT LISTED

### Construction

Body	One piece die cast aluminum
Seals	Fluorocarbon
Packing	Double o-ring seal protected by fiber reinforced Teflon®
Lever	One piece polymer
Inlet	¾" / 19 mm NPT



**!** WARNING: Cancer and Reproductive Harm - [www.P65Warnings.ca.gov](http://www.P65Warnings.ca.gov)



Automatic shut-off nozzle for full-service and self-service stations.

## Dimensions and System Options

### Safe-T-Breaks®

MODEL NO.	DESCRIPTION
003360	¾" F x ¾" F NPT Reconnectable Safe-T-Break®
002273	¾" F x ¾" F NPT Non-Reconnectable Safe-T-Break®
006130	¾" F x ¾" F NPT Non-Reconnectable PCC Safe-T-Break®
005230	¾" F x ¾" F NPT Low Pull Reconnectable Safe-T-Break®

### Swivels

MODEL NO.	DESCRIPTION
000350	¾" M x ¾" F NPT Multi-Plane Swivel
000355	¾" M x ¾" F NPT Multi-Plane Swivel Anodized Black
002272	¾" M x ¾" F NPT 90° Pump Swivel
003895	¾" M x ¾" F NPT Inline Swivel
002950	¾" M x ¾" F NPT Multi-Plane Restricted Swivel

### Swivel/Safe-T-Break® Combos

MODEL NO.	DESCRIPTION
006310	¾" M NPT Multi-Plane Swivel connected to ¾" F NPT Reconnectable Safe-T-Break®

### Spouts

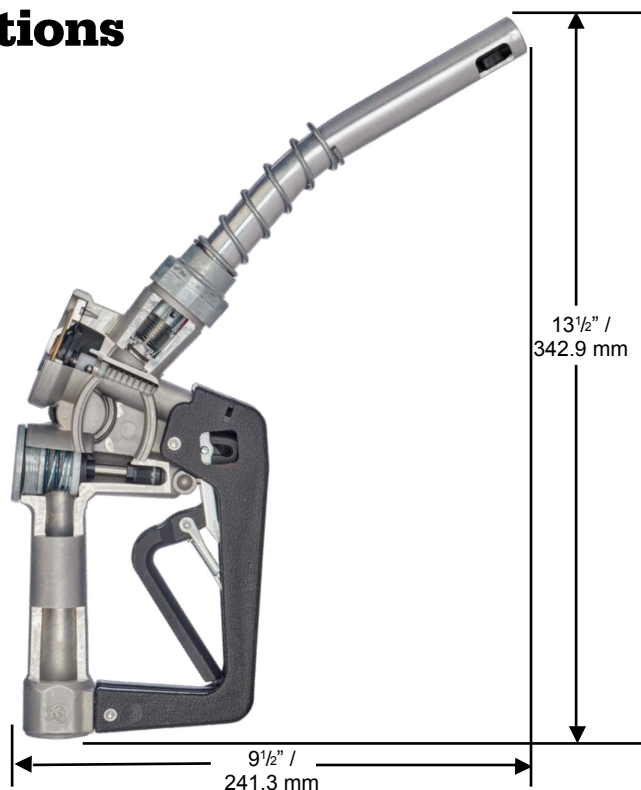
MODEL NO.	DESCRIPTION
001473	Unleaded Spout without Flo-Stop®
010434	Unleaded Long Spout without Flo-Stop®
001471	Light Duty Diesel Spout without Flo-Stop® with StreamShaper®
010353	Light Duty Diesel Long Spout without Flo-Stop®

### Pressure/Vacuum Vents

MODEL NO.	DESCRIPTION
004620	2" Slip-On Pressure Vacuum Vent
004885	2" Thread-On Pressure Vacuum Vent - NPT
005885	2" Thread-On Pressure Vacuum Vent with Internal Screen - NPT

### Accessories, Testing and Maintenance

MODEL NO.	DESCRIPTION
004490	Conventional Flo-Equalizer® - 10 gpm / 37.9 Lpm
003593	Hold Open Clip Kit
007490	Internal Flo-Equalizer® - 10 gpm / 37.9 Lpm
007089	Nozzle Service Kit
000397	Unleaded Spout Gauge



### Guards

MODEL NO.	DESCRIPTION
003376	Black Handle Guard
004145	Full Grip Guard
001806	Full Grip Reguard
005494	Lever Guard
003440	Mate Easy-On Package
003795	Mate Guard
008175	POPD® EZS Nozzle Guard
008176	POPD® EZH Nozzle Guard
007999	POPD® H Clear Cover
008185	POPD® H Full Grip Guard
008192	POPD® H Full Grip Reguard
008166	POPD® H Mate Guard
006628	POPD® S Clear Cover
006665	POPD® S Full Grip Guard
007205	POPD® S Full Grip Reguard
008165	POPD® S Mate Guard
001506	Protection Package
001809	Reguard Protection Package
001808	Waffle Splash Guard

# X BSPP Nozzles



Automatic shut-off nozzle for full-service and self-service stations.

- X nozzle shuts off when the gas tank is full.
- Aluminum reinforced spout bushing keeps the spout tip round and acts as a captive fastener to prevent tip-end sensor damage.
- Nozzle is equipped with a unique Flo-Stop® device that shuts off the nozzle if it falls from the fill tank or raises above the horizontal.
- *StreamShaper*® reduces turbulence for straighter fuel flow and less splash back spillage.
- Comes standard with smooth full grip guard.



## New Unleaded Nozzles

MODEL NO.	DESCRIPTION	SHIPPING WEIGHT LBS (KG)
159416N^	with Three Notch Hold Open Clip	3.0 (1.3)
E159416N^	with Three Notch Hold Open Clip	3.0 (1.3)
E159416A*	with Three Notch Hold Open Clip - Atex	3.0 (1.3)
E538498N^	with Three Notch Hold Open Clip, Double Poppet, Waffle Splash Guard and POPD® Mate Guard	3.0 (1.3)
159420	without Hold Open Clip	3.0 (1.3)
E159420	without Hold Open Clip	3.0 (1.3)

^ NOT LISTED

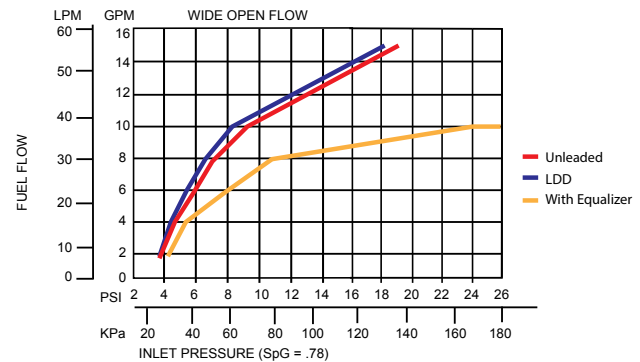
## New Light Duty Diesel Nozzles

MODEL NO.	DESCRIPTION	SHIPPING WEIGHT LBS (KG)
159415N^	with Three Notch Hold Open Clip	3.1 (1.4)
159415A*	with Three Notch Hold Open Clip - Atex	3.1 (1.4)
E159415N^	with Three Notch Hold Open Clip	3.1 (1.4)
159486A*	with Three Notch Hold Open Clip and Flo-Equalizer® - Atex	3.1 (1.4)
E538499N^	with Three Notch Hold Open Clip, Double Poppet, Waffle Splash Guard and POPD® Mate Guard	3.1 (1.4)
159419	without Hold Open Clip	3.1 (1.4)
E159419	without Hold Open Clip	3.1 (1.4)

^ NOT LISTED

## CONSTRUCTION

Body	One piece die cast aluminum
Seals	Fluorocarbon
Packing	Double o-ring seal protected by fiber reinforced Teflon®
Lever	One piece contoured steel with hard plastic cover
Inlet	¾" / 19 mm NPT



II 1 G  
EN 13012  
TYPE 1



P-TÜ7-8113626964

WARNING: Cancer and Reproductive Harm - www.P65Warnings.ca.gov



# X BSPP Nozzles

Automatic shut-off nozzle for full-service and self-service stations.

## Dimensions and System Options

### Safe-T-Breaks®

MODEL NO.	DESCRIPTION
003385	¾" F x ¾" F BSPP Reconnectable Safe-T-Break®
003385A	¾" F x ¾" F BSPP Reconnectable Safe-T-Break® - Atex
002774	¾" F x ¾" F BSPP Non-Reconnectable Safe-T-Break®
002774A	¾" F x ¾" F BSPP Non-Reconnectable Safe-T-Break® - Atex

### Swivels

MODEL NO.	DESCRIPTION
003590	¾" M x ¾" F BSPP Multi-Plane Swivel
003590A	¾" M x ¾" F BSPP Multi-Plane Swivel - Atex
002771	¾" M x ¾" F BSPP 90° Pump Swivel
002771A	¾" M x ¾" F BSPP 90° Pump Swivel - Atex

### Swivel/Safe-T-Break® Combos

MODEL NO.	DESCRIPTION
007085	¾" M BSPP Multi-Plane Swivel connected to ¾" F BSPP Reconnectable Safe-T-Break®
007085A	¾" M BSPP Multi-Plane Swivel connected to ¾" F BSPP Reconnectable Safe-T-Break® - Atex

### Spouts

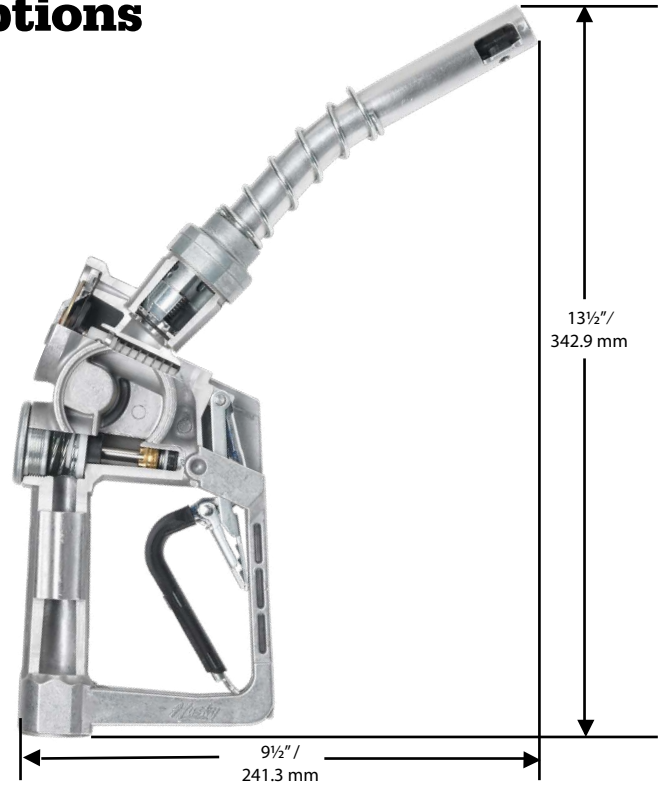
MODEL NO.	DESCRIPTION
001473	Unleaded Spout without Flo-Stop®
010434	Unleaded Long Spout without Flo-Stop®
001471	Light Duty Diesel Spout without Flo-Stop® with StreamShaper®
010353	Light Duty Diesel Long Spout without Flo-Stop®

### Pressure/Vacuum Vents

MODEL NO.	DESCRIPTION
004620	2" Slip-On Pressure Vacuum Vent
004885	2" Thread-On Pressure Vacuum Vent - NPT
005885	2" Thread-On Pressure Vacuum Vent with internal screen - NPT

### Accessories, Testing and Maintenance

MODEL NO.	DESCRIPTION
004490	Conventional Flo-Equalizer® - 10 gpm / 37.9 Lpm
003593	Hold Open Clip Kit
007490	Internal Flo-Equalizer® - 10 gpm / 37.9 Lpm
007089	Nozzle Service Kit
000397	Unleaded Spout Gauge



### Guards

MODEL NO.	DESCRIPTION
003376	Black Handle Cover
004145	Full Grip Guard
001806	Full Grip Reguard
005494	Lever Guard
003440	Mate Easy-on Package
003795	Mate Guard
008176	POPD® EZH Nozzle Guard
008175	POPD® EZS Nozzle Guard
007999	POPD® H Clear Cover
008185	POPD® H Full Grip Guard
008192	POPD® H Full Grip Reguard
008166	POPD® H Mate Guard
006628	POPD® S Clear Cover
006665	POPD® S Full Grip Guard
007205	POPD® S Full Grip Reguard
008165	POPD® S Mate Guard
001506	Protection Package
001809	Reguard Protection Package
001808	Waffle Splash Guard



2325 Husky Way • Pacific, MO 63069  
 (800) 325-3558 • Fax (636) 825-7300  
[www.husky.com](http://www.husky.com) • [sales@husky.com](mailto:sales@husky.com)

MADE IN THE U.S.A.

# X CW Nozzles



Automatic shut-off nozzle for full-service and self-service stations.

- Aluminum reinforced spout bushing keeps the spout tip round and acts as a captive fastener to prevent tip-end sensor damage.
- Contains a poppet disc seal, rated at -40° F/C to prevent fuel leakage from the main seal in extreme cold weather.
- Nozzle is equipped with a unique Flo-Stop® device that shuts off the nozzle if it falls from the fill tank or raises above the horizontal.
- *StreamShaper*® reduces turbulence for straighter fuel flow and less splash back spillage.
- Comes standard with smooth full grip guard.



## New Unleaded Nozzles

MODEL NO.	DESCRIPTION	SHIPPING WEIGHT LBS (KG)
498404N^	with Three Notch Hold Open Clip	3.0 (1.3)
498408	without Hold Open Clip	3.0 (1.3)
498462N^	with Three Notch Hold Open Clip and Waffle Splash Guard	2.7 (1.2)
498466	without Hold Open Clip, with Waffle Splash Guard	2.7 (1.2)

^ NOT LISTED

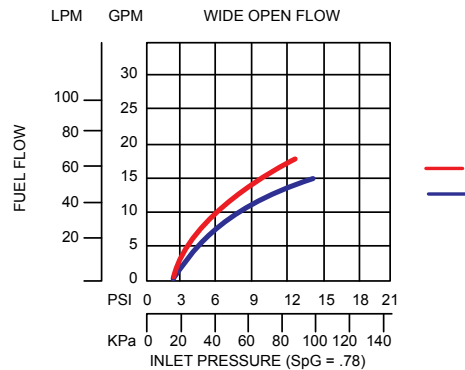
## New Light Duty Diesel Nozzles

MODEL NO.	DESCRIPTION	SHIPPING WEIGHT LBS (KG)
498403N^	with Three Notch Hold Open Clip	3.1 (1.4)
498407	without Hold Open Clip	3.1 (1.4)
4984134	without Hold Open Clip, with Waffle Splash Guard, and StreamShaper®	2.8 (1.2)

^ NOT LISTED

## Construction

Body	One piece die cast aluminum
Seals	Fluorocarbon
Packing	Double o-ring seal protected by fiber reinforced Teflon®
Lever	One piece contoured steel with hard plastic cover
Inlet	3/4" / 19 mm NPT



WARNING: Cancer and Reproductive Harm - [www.P65Warnings.ca.gov](http://www.P65Warnings.ca.gov)

Automatic shut-off nozzle for full-service and self-service stations.

## Dimensions and System Options

### Safe-T-Breaks®

MODEL NO.	DESCRIPTION
003360	¾" F x ¾" F NPT Reconnectable Safe-T-Break®
002273	¾" F x ¾" F NPT Non-Reconnectable Safe-T-Break®
006130	¾" F x ¾" F NPT Non-Reconnectable PCC Safe-T-Break®
005230	¾" F x ¾" F NPT Low Pull Reconnectable Safe-T-Break®

### Swivels

MODEL NO.	DESCRIPTION
000350	¾" M x ¾" F NPT Multi-plane Swivel
000355	¾" M x ¾" F NPT Multi-plane Black Swivel
002272	¾" M x ¾" F NPT 90° Pump Swivel
003895	¾" M x ¾" F NPT Inline Swivel
002950	¾" M x ¾" F NPT Multi-plane Restricted Swivel

### Swivel/Safe-T-Break® Combos

MODEL NO.	DESCRIPTION
006310	¾" M NPT Multi-plane Swivel connected to ¾" F NPT Reconnectable Safe-T-Break®

### Spouts

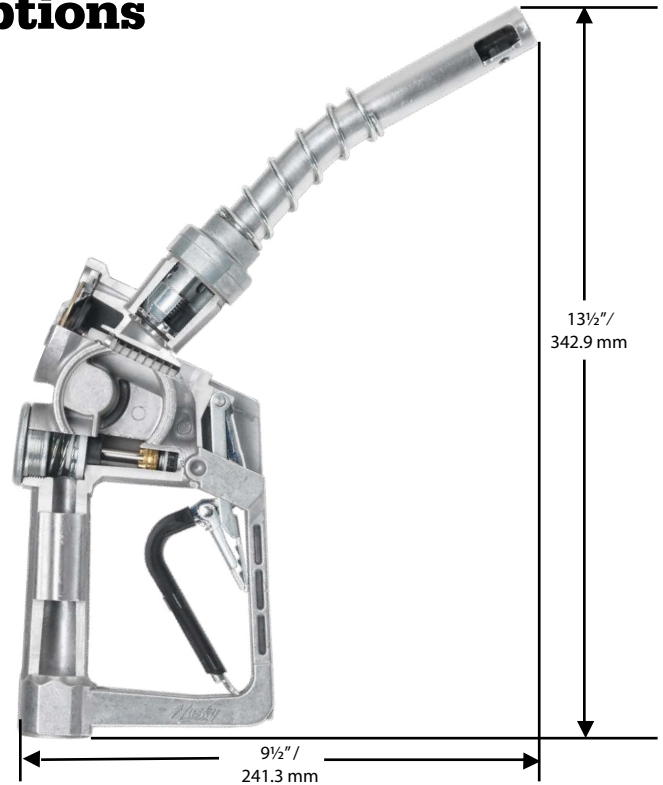
MODEL NO.	DESCRIPTION
001473	Unleaded Spout without Flo-Stop®
010434	Unleaded Long Spout without Flo-Stop®
001471	Light Duty Diesel Spout without Flo-Stop® with StreamShaper®
010353	Light Duty Diesel Long Spout without Flo-Stop®

### Pressure/Vacuum Vents

MODEL NO.	DESCRIPTION
004620	2" Slip-On Pressure Vacuum Vent
004885	2" Thread-On Pressure Vacuum Vent - NPT
005885	2" Thread-On Pressure Vacuum Vent with Internal Screen - NPT

### Accessories, Testing and Maintenance

MODEL NO.	DESCRIPTION
004490	Conventional Flo-Equalizer® - 10 gpm / 37.9 Lpm
003593	Hold Open Clip Kit
007490	Internal Flo-Equalizer® - 10 gpm / 37.9 Lpm
007089	Nozzle Service Kit
000397	Unleaded Spout Gauge



### Guards

MODEL NO.	DESCRIPTION
003376	Black Handle Cover
004145	Full Grip Guard
001806	Full Grip Reguard
005494	Lever Guard
003440	Mate Easy-on Package
003795	Mate Guard
008176	POPD® EZH Nozzle Guard
008175	POPD® EZS Nozzle Guard
007999	POPD® H Clear Cover
008185	POPD® H Full Grip Guard
008192	POPD® H Full Grip Reguard
008166	POPD® H Mate Guard
006628	POPD® S Clear Cover
006665	POPD® S Full Grip Guard
007205	POPD® S Full Grip Reguard
008165	POPD® S Mate Guard
001506	Protection Package
001809	Reguard Protection Package
001808	Waffle Splash Guard

# X DP Nozzles



## Automatic shut-off nozzle for full-service and self-service stations.

- X nozzle shuts off when:
  - the pump shuts off.
  - the gas tank is full.
  - the lever is opened before the pump is turned on.
  - the leak detector has not completed the test cycle.
- Double Poppet allows “to the penny” dispensing.
- Double Poppet is a two (2) step closure reducing the amount of pressure spiking, or “hydraulic hammer” and the adverse effects this has on the hose and dispenser meter.
- Aluminum reinforced spout bushing keeps spout tip round and acts as a captive fastener to prevent tip-end sensor damage.
- Nozzle is equipped with a unique Flo-Stop® device that shuts off the nozzle if it falls from the fill tank or raises above the horizontal.
- StreamShaper® reduces turbulence for straighter fuel flow and less splash back spillage.
- Comes standard with smooth full grip guard.



### New Unleaded Nozzles with NPT

MODEL NO.	DESCRIPTION	SHIPPING WEIGHT LBS (KG)
538424N^	with Three Notch Hold Open Clip and Sightglass	3.1 (1.4)
538476N^	with Three Notch Hold Open Clip and Waffle Splash Guard	3.1 (1.4)
		^ NOT LISTED

### New Light Duty Diesel Nozzles with NPT

MODEL NO.	DESCRIPTION	SHIPPING WEIGHT LBS (KG)
5384135N^	with Three Notch Hold Open Clip and StreamShaper®	3.1 (1.4)
		^ NOT LISTED

### New Unleaded Nozzles with BSPP

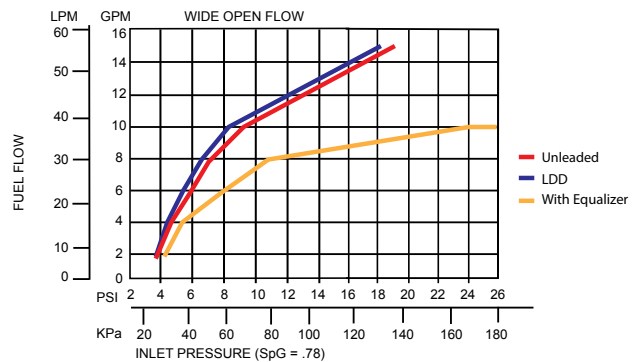
MODEL NO.	DESCRIPTION	SHIPPING WEIGHT LBS (KG)
538416N^	with Three Notch Hold Open Clip	3.1 (1.4)
E538416A*	with Three Notch Hold Open Clip - Atex	3.1 (1.4)
E538420	without Hold Open Clip	3.1 (1.4)
		^ NOT LISTED

### New Light Duty Diesel Nozzles with BSPP

MODEL NO.	DESCRIPTION	SHIPPING WEIGHT LBS (KG)
538415N^	with Three Notch Hold Open Clip	3.1 (1.4)
E538419	without Hold Open Clip	3.1 (1.4)
		^ NOT LISTED

### Construction

Body	One piece die cast aluminum
Seals	Fluorocarbon
Packing	Double o-ring seal protected by fiber reinforced Teflon®
Lever	One piece contoured steel with hard plastic cover
Inlet	¾" / 19 mm NPT



II 1 G  
EN 13012  
TYPE 1



P-TU7-8113626964

WARNING: Cancer and Reproductive Harm - www.P65Warnings.ca.gov



**Husky**

GENERAL FUELING PRODUCTS

**X****DP Nozzles****Automatic shut-off nozzle for full-service and self-service stations.**

## Dimensions and System Options

### Safe-T-Breaks®

MODEL NO.	DESCRIPTION
003360	¾" F x ¾" F NPT Reconnectable Safe-T-Break®
002273	¾" F x ¾" F NPT Non-Reconnectable Safe-T-Break®
006130	¾" F x ¾" F NPT Non-Reconnectable PCC Safe-T-Break®
005230	¾" F x ¾" F NPT Low Pull Reconnectable Safe-T-Break®
003385	¾" F x ¾" F BSPP Reconnectable Safe-T-Break®
003385A	¾" F x ¾" F BSPP Reconnectable Safe-T-Break® - Atex
002774	¾" F x ¾" F BSPP Non-Reconnectable Safe-T-Break®
002774A*	¾" F x ¾" F BSPP Non-Reconnectable Safe-T-Break® - Atex

### Swivels

MODEL NO.	DESCRIPTION
000350	¾" M x ¾" F NPT Multi-Plane Swivel
000355	¾" M x ¾" F NPT Multi-Plane Swivel Anodized Black
002272	¾" M x ¾" F NPT 90° Pump Swivel
003895	¾" M x ¾" F NPT Inline Swivel
002950	¾" M x ¾" F NPT Multi-Plane Restricted Swivel
003590	¾" M x ¾" F BSPP Multi-Plane Swivel
003590A	¾" M x ¾" F BSPP Multi-Plane Swivel - Atex
002771	¾" M x ¾" F BSPP 90° Pump Swivel
002771A	¾" M x ¾" F BSPP 90° Pump Swivel - Atex

### Swivel/Safe-T-Break® Combos

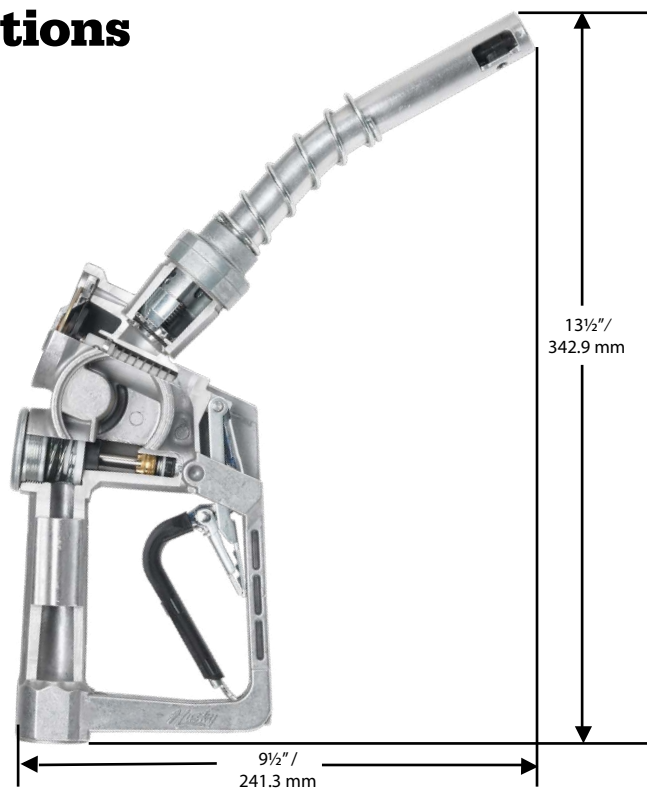
MODEL NO.	DESCRIPTION
006310	¾" M NPT Multi-Plane Swivel connected to ¾" F NPT Reconnectable Safe-T-Break®
007085	¾" M BSPP Multi-Plane Swivel connected to ¾" F BSPP Reconnectable Safe-T-Break®
007085A	¾" M BSPP Multi-Plane Swivel connected to ¾" F BSPP Reconnectable Safe-T-Break® - Atex

### Accessories, Testing and Maintenance

MODEL NO.	DESCRIPTION
004490	Conventional Flo-Equalizer® - 10 gpm / 37.9 Lpm
003593	Hold Open Clip Kit
007490	Internal Flo-Equalizer® - 10 gpm / 37.9 Lpm
007089	Nozzle Service Kit
000397	Unleaded Spout Gauge

### Spouts

MODEL NO.	DESCRIPTION
001473	Unleaded Spout without Flo-Stop®
010434	Unleaded Long Spout without Flo-Stop®
001471	Light Duty Diesel Spout without Flo-Stop® with StreamShaper®
010353	Light Duty Diesel Long Spout without Flo-Stop®



### Pressure/Vacuum Vents

MODEL NO.	DESCRIPTION
004620	2" Slip-On Pressure Vacuum Vent
004885	2" Thread-On Pressure Vacuum Vent - NPT

005885 2" Thread-On Pressure Vacuum Vent with Internal Screen - NPT **Guards**

MODEL NO.	DESCRIPTION
003376	Black Handle Cover
004145	Full Grip Guard
001806	Full Grip Reguard
005494	Lever Guard
003440	Mate Easy-on Package
003795	Mate Guard
008176	POPD® EZH Nozzle Guard
008175	POPD® EZS Nozzle Guard
007999	POPD® H Clear Cover
008185	POPD® H Full Grip Guard
008192	POPD® H Full Grip Reguard
008166	POPD® H Mate Guard
006628	POPD® S Clear Cover
006665	POPD® S Full Grip Guard
007205	POPD® S Full Grip Reguard
008165	POPD® S Mate Guard
001506	Protection Package
001809	Reguard Protection Package
001808	Waffle Splash Guard



2325 Husky Way • Pacific, MO 63069

(800) 325-3558 • Fax (636) 825-7300

[www.husky.com](http://www.husky.com) • [sales@husky.com](mailto:sales@husky.com)

MADE IN THE U.S.A.



# X Rebuilt Nozzles



Automatic shut-off nozzle for full-service and self-service stations.

- X nozzle shuts off when the gas tank is full.
- Aluminum reinforced spout bushing keeps the spout tip round and acts as a captive fastener to prevent tip-end sensor damage.
- Nozzle is equipped with a unique Flo-Stop® device that shuts off the nozzle if it falls from the fill tank or raises above the horizontal.
- *StreamShaper*® reduces turbulence for straighter fuel flow and less splash back spillage.
- Comes standard with smooth full grip guard.



## Rebuilt Unleaded Nozzles with NPT

MODEL NO.	DESCRIPTION	SHIPPING WEIGHT LBS (KG)
265704N^	with Three Notch Hold Open Clip	3.1 (1.4)
E265704N^	with Three Notch Hold Open Clip	3.1 (1.4)
265708	without Hold Open Clip	3.1 (1.4)
265724N^	with Three Notch Hold Open Clip and Sightglass	3.1 (1.4)
265744N^	with Three Notch Hold Open Clip, Waffle Splash Guard and Flo-Equalizer®	3.1 (1.4)
265754N^	with Three Notch Hold Open Clip and Flo-Equalizer®	3.1 (1.4)
265758	without Hold Open Clip with Flo-Equalizer®	3.1 (1.4)

^ NOT LISTED

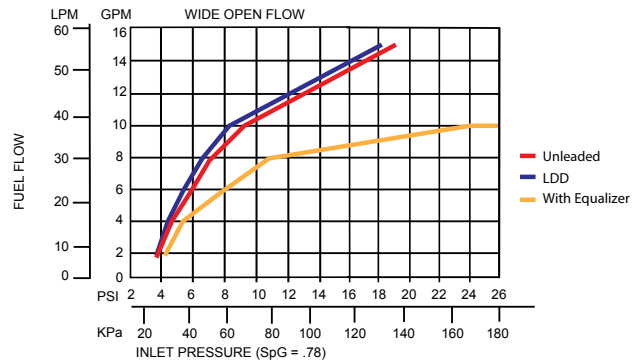
## Rebuilt Light Duty Diesel Nozzles with NPT

MODEL NO.	DESCRIPTION	SHIPPING WEIGHT LBS (KG)
265703N^	with Three Notch Hold Open Clip	3.1 (1.4)
E265703N^	with Three Notch Hold Open Clip	3.1 (1.4)
E265707	without Hold Open Clip	3.1 (1.4)
265745N^	with Three Notch Hold Open Clip, Waffle Splash Guard and Flo-Equalizer®	3.1 (1.4)
265757	without Hold Open Clip with Flo-Equalizer®	3.1 (1.4)
265763N^	with Three Notch Hold Open Clip and Waffle Splash Guard	3.1 (1.4)

^ NOT LISTED

## Construction

Body	One piece die cast aluminum
Seals	Fluorocarbon
Packing	Double o-ring seal protected by fiber reinforced Teflon®
Lever	One piece contoured steel with hard plastic cover
Inlet	3/4" / 19 mm NPT



WARNING: Cancer and Reproductive Harm - www.P65Warnings.ca.gov



**Husky**

GENERAL FUELING PRODUCTS

# X Rebuilt Nozzles

Automatic shut-off nozzle for full-service and self-service stations.

## Dimensions and System Options

### Safe-T-Breaks®

MODEL NO.	DESCRIPTION
003360	¾" F x ¾" F NPT Reconnectable Safe-T-Break®
002273	¾" F x ¾" F NPT Non-Reconnectable Safe-T-Break®
006130	¾" F x ¾" F NPT Non-Reconnectable PCC Safe-T-Break®
005230	¾" F x ¾" F NPT Low Pull Reconnectable Safe-T-Break®

### Swivels

MODEL NO.	DESCRIPTION
000350	¾" M x ¾" F NPT Multi-Plane Swivel
000355	¾" M x ¾" F NPT Multi-Plane Swivel Anodized Black
002272	¾" M x ¾" F NPT 90° Pump Swivel
003895	¾" M x ¾" F NPT Inline Swivel
002950	¾" M x ¾" F NPT Multi-Plane Restricted Swivel

### Swivel/Safe-T-Break® Combos

MODEL NO.	DESCRIPTION
006310	¾" M NPT Multi-Plane Swivel connected to ¾" F NPT Reconnectable Safe-T-Break®

### Spouts

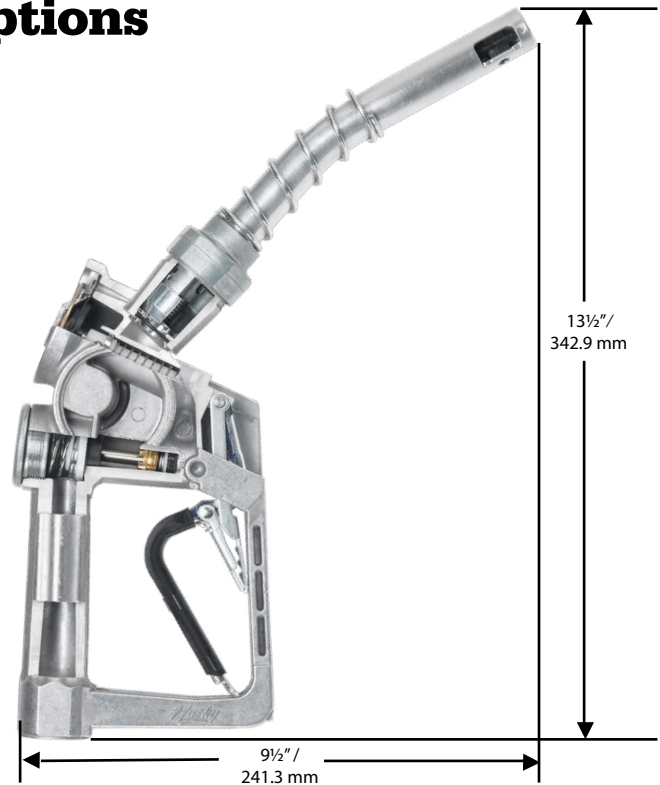
MODEL NO.	DESCRIPTION
001473	Unleaded Spout without Flo-Stop®
010434	Unleaded Long Spout without Flo-Stop®
001471	Light Duty Diesel Spout without Flo-Stop® with StreamShaper®
010353	Light Duty Diesel Long Spout without Flo-Stop®

### Pressure/Vacuum Vents

MODEL NO.	DESCRIPTION
004620	2" Slip-On Pressure Vacuum Vent
004885	2" Thread-On Pressure Vacuum Vent - NPT
005885	2" Thread-On Pressure Vacuum Vent with Internal Screen - NPT

### Accessories, Testing and Maintenance

MODEL NO.	DESCRIPTION
004490	Conventional Flo-Equalizer® - 10 gpm / 37.9 Lpm
003593	Hold Open Clip Kit
007490	Internal Flo-Equalizer® - 10 gpm / 37.9 Lpm
007089	Nozzle Service Kit
000397	Unleaded Spout Gauge



### Guards

MODEL NO.	DESCRIPTION
003376	Black Handle Cover
004145	Full Grip Guard
001806	Full Grip Reguard
005494	Lever Guard
003440	Mate Easy-on Package
003795	Mate Guard
008176	POPD® EZH Nozzle Guard
008175	POPD® EZS Nozzle Guard
007999	POPD® H Clear Cover
008185	POPD® H Full Grip Guard
008192	POPD® H Full Grip Reguard
008166	POPD® H Mate Guard
006628	POPD® S Clear Cover
006665	POPD® S Full Grip Guard
007205	POPD® S Full Grip Reguard
008165	POPD® S Mate Guard
001506	Protection Package
001809	Reguard Protection Package
001808	Waffle Splash Guard



2325 Husky Way • Pacific, MO 63069  
 (800) 325-3558 • Fax (636) 825-7300  
[www.husky.com](http://www.husky.com) • [sales@husky.com](mailto:sales@husky.com)

MADE IN THE U.S.A.



# X Sightglass Nozzles



## Automatic shut-off nozzle for full-service and self-service stations.

- X nozzle shuts off when the gas tank is full.
- Stainless steel reinforced spout bushing keeps spout tip round and acts as a captive fastener to prevent tip-end sensor damage.
- Nozzle is equipped with a unique Flo-Stop® device that shuts off the nozzle if it falls from the fill tank or raises above the horizontal.
- Sightglass on nozzle allows customer to see fuel flow through nozzle.
- *StreamShaper*® reduces turbulence for straighter fuel flow and less splash back spillage.
- Comes standard with smooth full grip guard.



### New Unleaded Nozzles

MODEL NO.	DESCRIPTION	SHIPPING WEIGHT LBS (KG)
159424N^	with Three Notch Hold Open Clip	3.0 (1.3)
E159424N^	with Three Notch Hold Open Clip	3.1 (1.4)
538424N^	with Hold Open Clip and Double Poppet	3.1 (1.4)
159428	without Hold Open Clip	3.0 (1.3)
E159428	without Hold Open Clip	3.0 (1.3)
1594184N^	with Three Notch Hold Open Clip and Waffle Splash Guard	3.0 (1.3)

^ NOT LISTED

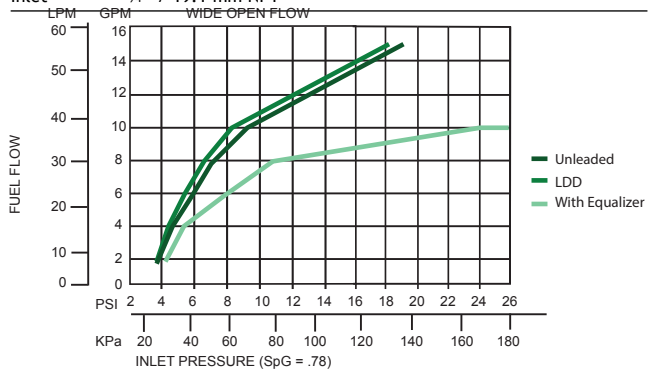
### New Light Duty Diesel Nozzles

MODEL NO.	DESCRIPTION	SHIPPING WEIGHT LBS (KG)
159423N^	with Three Notch Hold Open Clip	3.1 (1.4)
E159423N^	with Three Notch Hold Open Clip	3.1 (1.4)
538423N^	with Three Notch Hold Open Clip and Double Poppet	3.1 (1.4)
159427	without Hold Open Clip	3.0 (1.3)
E159427	without Hold Open Clip	3.0 (1.3)

^ NOT LISTED

### Construction

Body	One piece die cast aluminum
Seals	Fluorocarbon
Packing	Double o-ring seal protected by fiber reinforced Teflon®
Lever	One piece contoured steel with hard plastic cover
Inlet	3/4" / 19.1 mm NPT



WARNING: Cancer and Reproductive Harm - www.P65Warnings.ca.gov

**Husky**

GENERAL FUELING PRODUCTS



# Sightglass Nozzles

Automatic shut off nozzle for full-service and self-service stations.

## Dimensions and System Options

### Safe-T-Breaks®

MODEL NO.	DESCRIPTION
003360	¾" F x ¾" F NPT Reconnectable Safe-T-Break®
002273	¾" F x ¾" F NPT Non-Reconnectable Safe-T-Break®
006130	¾" F x ¾" F NPT Non-Reconnectable PCC Safe-T-Break®
005230	¾" F x ¾" F NPT Low Pull Reconnectable Safe-T-Break®

### Swivels

MODEL NO.	DESCRIPTION
000350	¾" M x ¾" F NPT Multi-Plane Swivel
000355	¾" M x ¾" F NPT Multi-Plane Swivel Anodized Black
002272	¾" M x ¾" F NPT 90° Pump Swivel
003895	¾" M x ¾" F NPT Inline Swivel
002950	¾" M x ¾" F NPT Multi-Plane Restricted Swivel

### Swivel/Safe-T-Break® Combos

MODEL NO.	DESCRIPTION
006310	¾" M NPT Multi-Plane Swivel connected to ¾" F NPT Reconnectable Safe-T-Break®

### Spouts

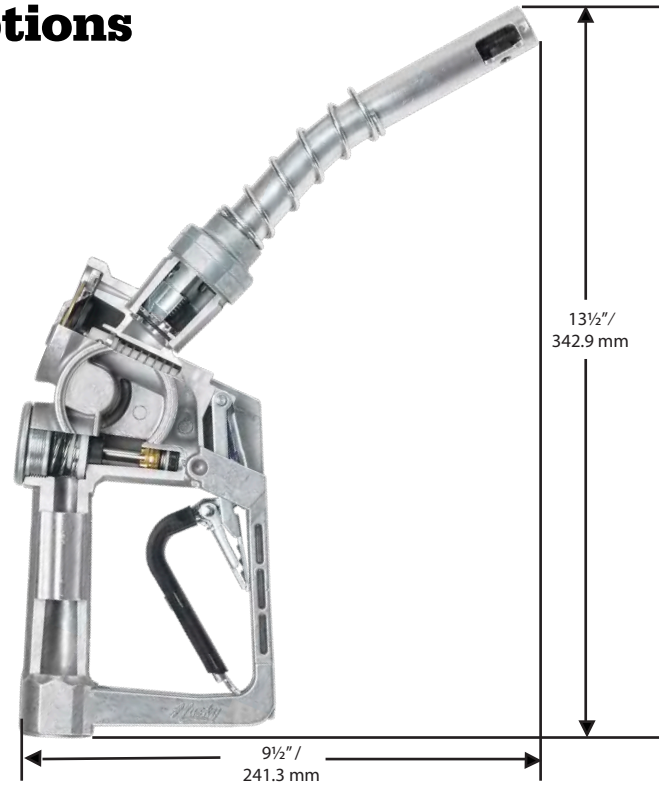
MODEL NO.	DESCRIPTION
001473	Unleaded Spout without Flo-Stop®
010434	Unleaded Spout without Flo-Stop®
001471	Light Duty Diesel Spout without Flo-Stop® with StreamShaper®
010353	Light Duty Diesel Long Spout without Flo-Stop®

### Pressure/Vacuum Vents

MODEL NO.	DESCRIPTION
004620	2" Slip-On Pressure Vacuum Vent
004885	2" Thread-On Pressure Vacuum Vent - NPT
005885	2" Thread-On Pressure Vacuum Vent with Internal Screen - NPT

### Accessories, Testing and Maintenance

MODEL NO.	DESCRIPTION
004490	Conventional Flo-Equalizer® - 10 gpm / 37.9 Lpm
003593	Hold Open Clip Kit
007490	Internal Flo-Equalizer® - 10 gpm / 37.9 Lpm
007089	Nozzle Service Kit
000397	Unleaded Spout Gauge



### Guards

MODEL NO.	DESCRIPTION
003376	Black Handle Guard
004145	Full Grip Guard
001806	Full Grip Reguard
005494	Lever Guard
003440	Mate Easy-on Package
003795	Mate Guard
008176	POPD® EZH Nozzle Guard
008175	POPD® EZS Nozzle Guard
007999	POPD® H Clear Cover
008185	POPD® H Full Grip Guard
008192	POPD® H Full Grip Reguard
008166	POPD® H Mate Guard
006628	POPD® S Clear Cover
006665	POPD® S Full Grip Guard
007205	POPD® S Full Grip Reguard
008165	POPD® S Mate Guard
001506	Protection Package
001809	Reguard Protection Package
001808	Waffle Guard



2325 Husky Way • Pacific, MO 63069  
 (800) 325-3558 • Fax (636) 825-7300  
[www.husky.com](http://www.husky.com) • [sales@husky.com](mailto:sales@husky.com)

MADE IN THE U.S.A.



## Pressure activated, automatic shut-off nozzle for full-service and self-service stations.

- XS<sup>®</sup> nozzle shuts off when:
  - the pump shuts off.
  - the gas tank is full.
  - the lever is opened before the pump is turned on.
  - the leak detector has not completed the test cycle.
- Stainless steel spout bushing keeps spout tip round and acts as a captive fastener to prevent tip-end sensor damage.
- Nozzle is equipped with a unique Flo-Stop<sup>®</sup> device that shuts off the nozzle if it falls from the fill tank or raises above the horizontal.
- StreamShaper<sup>®</sup> reduces turbulence for straighter fuel flow and less splash back spillage.
- Comes standard with smooth full grip guard.
- Optional EZ Lever:
  - two piece design cuts opening force in half
  - easier “to-the-penny” dispensing
  - ADA compliant



### New Unleaded Nozzles

MODEL	DESCRIPTION	SHIPPING WEIGHT LBS (KG)
159504	with Three Notch Hold Open Clip	3.1 (1.4)
E159504	with Three Notch Hold Open Clip	3.1 (1.4)
159508	w/o Hold Open Clip	3.1 (1.4)
E159508	with Hold Open Clip	3.1 (1.4)
159543	with Single Notch Hold Open Clip, Waffle Splash Guard and Flo-Equalizer <sup>®</sup>	3.1 (1.4)
159544	with Three Notch Hold Open Clip, Waffle Splash Guard and Flo-Equalizer <sup>®</sup>	3.2 (1.4)
159554	with Three Notch Hold Open Clip and Flo-Equalizer <sup>®</sup>	3.1 (1.4)
159559	with Three Notch Hold Open Clip and Waffle Splash Guard	3.0 (1.3)
159566	w/o Hold Open Clip with Waffle Splash Guard	3.0 (1.3)
159575	w/o Hold Open Clip with 1807 Waffle Splash Guard	3.0 (1.3)
159576	with Three Notch Hold Open Clip and Waffle Splash Guard	3.0 (1.3)
159582	with Three Notch Hold Open Clip and Drip Less Spout	3.0 (1.3)
159595	with Three Notch Hold Open Clip, POPD <sup>®</sup> S and Waffle Splash Guard	3.1 (1.4)
1302704	with Three Notch Hold Open Clip with GPR	3.1 (1.4)
1595106	with Two Notch Hold Open Clip	3.0 (1.3)
1595108	w/o Hold Open Clip, with POPD <sup>®</sup> S and Waffle Splash Guard	3.0 (1.3)
1595179	with One Notch Hold Open Clip and Waffle Splash Guard	3.1 (1.4)
1595224	with Two Notch Hold Open Clip, Waffle Splash Guard and Flo-Equalizer <sup>®</sup>	3.1 (1.4)
1595239	with Single Notch Hold Open Clip	3.1 (1.4)
1120559	with Two Notch Hold Open Clip, EZ Lever and Waffle Splash Guard	3.1 (1.4)
E159559	with Three Notch Hold Open Clip, Mate Guard and Waffle Splash Guard	3.1 (1.4)

^ NOT LISTED

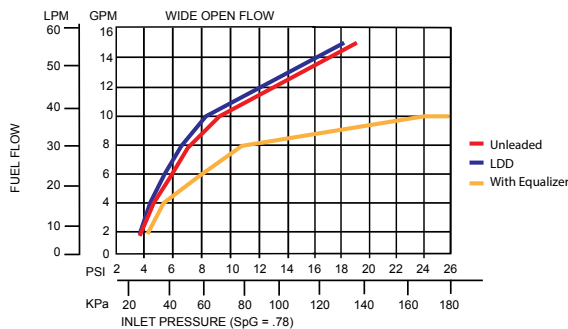
### New Light Duty Diesel Nozzles

MODEL	DESCRIPTION	SHIPPING WEIGHT LBS (KG)
159503	with Three Notch Hold Open Clip	3.1 (1.4)
E159503	with Three Notch Hold Open Clip	3.1 (1.4)
E159507	w/o Hold Open Clip	3.1 (1.4)
159545	with Three Notch Hold Open Clip, Waffle Splash Guard and Flo-Equalizer <sup>®</sup>	3.2 (1.4)
159553	with Three Notch Hold Open Clip and Flo-Equalizer <sup>®</sup>	3.1 (1.4)
159557	w/o Hold Open Clip with Flo-Equalizer <sup>®</sup>	3.1 (1.4)
159561	with Three Notch Hold Open Clip and Waffle Splash Guard	3.0 (1.3)
159567	w/o Hold Open Clip with Waffle Splash Guard	3.1 (1.4)
159578	with Three Notch Hold Open Clip and Waffle Splash Guard	3.3 (1.4)
159596	with Three Notch Hold Open Clip, POPD <sup>®</sup> and Waffle Splash Guard	3.3 (1.4)
159597	with Single Notch Hold Open Clip and Waffle Splash Guard	3.1 (1.4)
1120561	with Two Notch Hold Open Clip, EZ Lever and Waffle Splash Guard	3.1 (1.4)
1595109	w/o Hold Open Clip, with POPD <sup>®</sup> S and Waffle Splash Guard	3.1 (1.4)
1595122	with Three Notch Hold Open Clip, POPD <sup>®</sup> H and Waffle Splash Guard	3.1 (1.4)
1595135	with Three Notch Hold Open Clip	3.1 (1.4)
1595211	with Three Notch Hold Open Clip, Waffle Splash Guard and Drip Less Spout	3.1 (1.4)
1595225	with Two Notch Hold Open Clip and Waffle Splash Guard	3.1 (1.4)
1595238	with Single Notch Hold Open Clip	3.1 (1.4)
11205109	w/o Hold Open Clip, with EZ Lever, POPD <sup>®</sup> S and Waffle Splash Guard	3.1 (1.4)
E159503N <sup>*</sup>	with Three Notch Hold Open Clip and Mate Guard	3.1 (1.4)

^ NOT LISTED

### Construction

Body	One piece die cast aluminum
Seals	Fluorocarbon
Packing	Double o-ring seal protected by fiber reinforced Teflon <sup>®</sup>
Lever	Single-piece polymer lever or two-piece polymer EZ lever
Inlet	3/4" / 19.1 mm NPT



WARNING: Cancer and Reproductive Harm—www.P65Warnings.ca.gov

Pressure activated, automatic shut-off nozzle for full-service and self-service stations.

## Dimensions and System Options

### Safe-T-Breaks<sup>®</sup>

MODEL NO.	DESCRIPTION
003360	¾" F x ¾" F NPT Reconnectable Safe-T-Break <sup>®</sup>
002273	¾" F x ¾" F NPT Non-Reconnectable Safe-T-Break <sup>®</sup>
006130	¾" F x ¾" F NPT Non-Reconnectable PCC Safe-T-Break <sup>®</sup>
005230	¾" F x ¾" F NPT Low Pull Reconnectable Safe-T-Break <sup>®</sup>

### Swivels

MODEL NO.	DESCRIPTION
000350	¾" M x ¾" F NPT Multi-Plane Swivel
000355	¾" M x ¾" F NPT Multi-Plane Swivel Anodized Black
002272	¾" M x ¾" F NPT 90° Pump Swivel
003895	¾" M x ¾" F NPT Inline Swivel
002950	¾" M x ¾" F NPT Multi-Plane Restricted Swivel

### Swivel/Safe-T-Break<sup>®</sup> Combos

MODEL NO.	DESCRIPTION
006310	¾" M NPT Multi-Plane Swivel connected to ¾" F NPT Reconnectable Safe-T-Break <sup>®</sup>

### Spouts

MODEL NO.	DESCRIPTION
001473	Unleaded Spout without Flo-Stop <sup>®</sup>
010434	Unleaded Long Spout without Flo-Stop <sup>®</sup>
001471	Light Duty Diesel Spout without Flo-Stop <sup>®</sup> with StreamShaper <sup>®</sup>
010353	Light Duty Diesel Long Spout without Flo-Stop <sup>®</sup>

### Pressure/Vacuum Vents

MODEL NO.	DESCRIPTION
004620	2" Slip-On Pressure Vacuum Vent
004885	2" Thread-On Pressure Vacuum Vent - NPT
005885	2" Thread-On Pressure Vacuum Vent with Internal Screen - NPT

### Accessories, Testing and Maintenance

MODEL NO.	DESCRIPTION
004490	Conventional Flo-Equalizer <sup>®</sup> - 10 gpm / 37.9 Lpm
003593	Hold Open Clip Kit
007490	Internal Flo-Equalizer <sup>®</sup> - 10 gpm / 37.9 Lpm
007089	Nozzle Service Kit
000397	Unleaded Spout Gauge



### Guards

MODEL NO.	DESCRIPTION
003376	Black Handle Guard
004145	Full Grip Guard
001806	Full Grip Reguard
005494	Lever Guard
003440	Mate Easy-on Package
003795	Mate Guard
008176	POPD <sup>®</sup> EZH Nozzle Guard
008175	POPD <sup>®</sup> EZS Nozzle Guard
007999	POPD <sup>®</sup> H Clear Cover
008185	POPD <sup>®</sup> H Full Grip Guard
008192	POPD <sup>®</sup> H Full Grip Reguard
008166	POPD <sup>®</sup> H Mate Guard
006628	POPD <sup>®</sup> S Clear Cover
006665	POPD <sup>®</sup> S Full Grip Guard
007205	POPD <sup>®</sup> S Full Grip Reguard
008165	POPD <sup>®</sup> S Mate Guard
001506	Protection Package
001809	Reguard Protection Package
001808	Waffle Splash Guard



# XS<sup>®</sup> BSPP Nozzles



1-11

CONVENTIONAL FUELING

**Pressure activated, automatic shut-off nozzle for full-service, self-service and unattended stations.**

- XS<sup>®</sup> nozzle shuts off when:
  - the pump shuts off.
  - the gas tank is full.
  - the lever is opened before the pump is turned on.
  - the leak detector has not completed the test cycle.
- A reinforced stainless steel spout bushing keeps the spout tip round and acts as a captive fastener to prevent tip-end sensor damage.
- Nozzle is equipped with a unique Flo-Stop<sup>®</sup> device that shuts off the nozzle if it falls from the fill tank or raises above the horizontal.
- *StreamShaper*<sup>®</sup> reduces turbulence for straighter fuel flow and less splash back spillage.
- Comes standard with smooth full grip guard.



## New Unleaded Nozzles

MODEL NO.	DESCRIPTION	SHIPPING WEIGHT LBS (KG)
159516	with Three Notch Hold Open Clip	3.0 (1.3)
159516A*	with Three Notch Hold Open Clip - Atex	3.0 (1.3)
E159516N^	with Three Notch Hold Open Clip	3.0 (1.3)
E159516	with Three Notch Hold Open Clip	3.1 (1.4)
159520	without Hold Open Clip	3.0 (1.3)
E159520	without Hold Open Clip	3.1 (1.4)

^ NOT LISTED

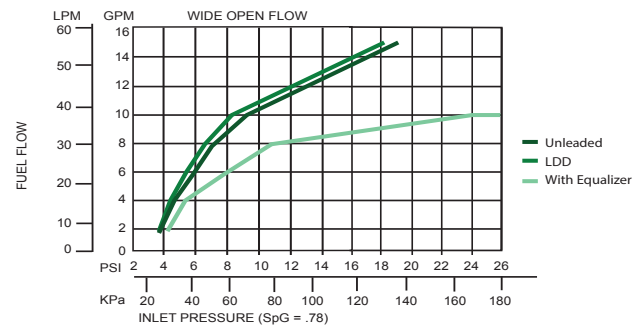
## New Light Duty Diesel Nozzles

MODEL NO.	DESCRIPTION	SHIPPING WEIGHT LBS (KG)
159515	with Three Notch Hold Open Clip	3.0 (1.3)
E159515A*	with Three Notch Hold Open Clip - Atex	3.0 (1.3)
E159516N^	with Three Notch Hold Open Clip	3.0 (1.3)
E159515	with Three Notch Hold Open Clip	3.1 (1.4)
159519	without Hold Open Clip	3.0 (1.3)
E159519	without Hold Open Clip	3.1 (1.4)

^ NOT LISTED

## Construction

Body	One piece die cast aluminum
Seals	Fluorocarbon
Packing	Double o-ring seal protected by fiber reinforced Teflon <sup>®</sup>
Lever	One piece polymere
Inlet	3/4" / 19.1 mm BSPP



II 1 G  
EN 13012  
TYPE 1



P-TU7-8113626964

WARNING: Cancer and Reproductive Harm - www.P65Warnings.ca.gov

**Husky**

GENERAL FUELING PRODUCTS

**XS<sup>®</sup>****BSPP Nozzles**

**Pressure activated, automatic shut-off nozzle for full-service, self-service and unattended stations.**

## Dimensions and System Options

### Safe-T-Breaks<sup>®</sup>

MODEL NO.	DESCRIPTION
003385	¾" F x ¾" F BSPP Reconnectable Safe-T-Break <sup>®</sup>
003385A	¾" F x ¾" F BSPP Reconnectable Safe-T-Break <sup>®</sup> - Atex
002774	¾" F x ¾" F BSPP Non-Reconnectable Safe-T-Break <sup>®</sup>
002774A	¾" F x ¾" F BSPP Non-Reconnectable Safe-T-Break <sup>®</sup> - Atex

### Swivels

MODEL NO.	DESCRIPTION
003590	¾" M x ¾" F BSPP Multi-Plane Swivel
003590A	¾" M x ¾" F BSPP Multi-Plane Swivel - Atex
002771	¾" M x ¾" F BSPP 90° Pump Swivel
002771A	¾" M x ¾" F BSPP 90° Pump Swivel - Atex

### Swivel/Safe-T-Break<sup>®</sup> Combos

MODEL NO.	DESCRIPTION
007085	¾" M BSPP Multi-Plane Swivel connected to ¾" F BSPP Reconnectable Safe-T-Break <sup>®</sup>
007085A	¾" M BSPP Multi-Plane Swivel connected to ¾" F BSPP Reconnectable Safe-T-Break <sup>®</sup> - Atex

### Spouts

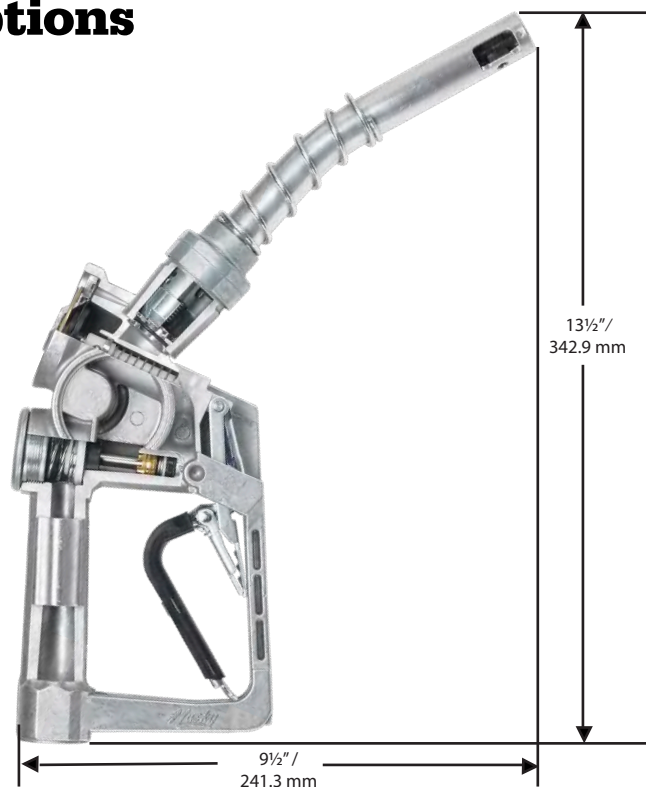
MODEL NO.	DESCRIPTION
001473	Unleaded Spout without Flo-Stop <sup>®</sup>
010434	Unleaded Long Spout without Flo-Stop <sup>®</sup>
001471	Light Duty Diesel Spout without Flo-Stop <sup>®</sup> with StreamShaper <sup>®</sup>
010353	Light Duty Diesel Long Spout without Flo-Stop <sup>®</sup>

### Pressure/Vacuum Vents

MODEL NO.	DESCRIPTION
004620	2" Slip-On Pressure Vacuum Vent
004885	2" Thread-On Pressure Vacuum Vent - NPT
005885	2" Thread-On Pressure Vacuum Vent with Internal Screen - NPT

### Accessories, Testing and Maintenance

MODEL NO.	DESCRIPTION
003593	Hold Open Clip Kit
007490	Internal Flo-Equalizer <sup>®</sup> - 10 gpm / 37.9 Lpm
007089	Nozzle Service Kit
000397	Unleaded Spout Gauge



### Guards

MODEL NO.	DESCRIPTION
003376	Black Handle Cover
004145	Full Grip Guard
001806	Full Grip Reguard
005494	Lever Guard
003795	Mate Guard
003440	Mate Easy-on Package
008176	POPD <sup>®</sup> EZH Nozzle Guard
008175	POPD <sup>®</sup> EZS Nozzle Guard
007999	POPD <sup>®</sup> H Clear Cover
008185	POPD <sup>®</sup> H Full Grip Guard
008192	POPD <sup>®</sup> H Full Grip Reguard
008166	POPD <sup>®</sup> H Mate Guard
006628	POPD <sup>®</sup> S Clear Cover
006665	POPD <sup>®</sup> S Full Grip Guard
007205	POPD <sup>®</sup> S Full Grip Reguard
008165	POPD <sup>®</sup> S Mate Guard
001506	Protection Package
001809	Reguard Protection Package
001808	Waffle Splash Guard



2325 Husky Way • Pacific, MO 63069  
 (800) 325-3558 • Fax (636) 825-7300  
[www.husky.com](http://www.husky.com) • [sales@husky.com](mailto:sales@husky.com)

MADE IN THE U.S.A.



# XS<sup>®</sup> CW Nozzles



**Pressure activated, automatic shut-off nozzle for full-service, self-service and unattended stations.**

- XS<sup>®</sup> nozzle shuts off when:
  - the pump shuts off.
  - the gas tank is full.
  - the lever is opened before the pump is turned on.
  - the leak detector has not completed the test cycle.
- A reinforced stainless steel spout bushing keeps the spout tip round and acts as a captive fastener to prevent tip-end sensor damage.
- Contains a poppet disc seal, rated at -40° F/C to prevent fuel leakage from the main seal in extreme cold weather.
- Nozzle is equipped with a unique Flo-Stop<sup>®</sup> device that shuts off the nozzle if it falls from the fill tank or raises above the horizontal.
- *StreamShaper*<sup>®</sup> reduces turbulence for straighter fuel flow and less splash back spillage.
- Comes standard with smooth full grip guard.



## New Unleaded Nozzles

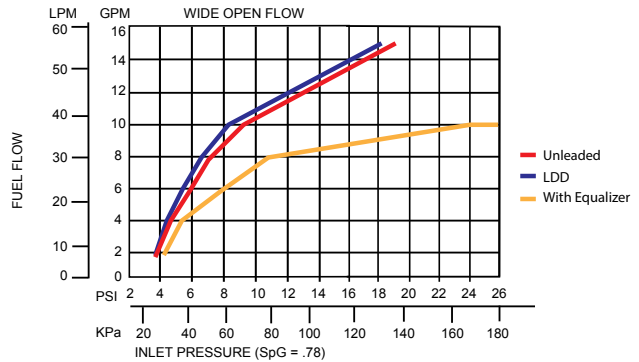
MODEL NO.	DESCRIPTION	SHIPPING WEIGHT LBS (KG)
498104	with Three Notch Hold Open Clip	3.1 (1.4)
498108	without Hold Open Clip	3.1 (1.4)
498162	with Three Notch Hold Open Clip and Waffle Splash Guard	3.0 (1.3)
498166	without Hold Open Clip, with Waffle Splash Guard	3.0 (1.3)
498195	with Three Notch Hold Open Clip, POPD <sup>®</sup> S and Waffle Splash Guard	3.0 (1.3)

## New Light Duty Diesel Nozzles

MODEL NO.	DESCRIPTION	SHIPPING WEIGHT LBS (KG)
498103	with Three Notch Hold Open Clip	3.1 (1.4)
498107	without Hold Open Clip	3.1 (1.4)
498161	with Three Notch Hold Open Clip and Waffle Splash Guard	3.0 (1.3)
498167	without Hold Open Clip, with Waffle Splash Guard	3.1 (1.4)
498196	with Three Notch Hold Open Clip, POPD <sup>®</sup> S and Waffle Splash Guard	3.1 (1.4)
4981135	with Three Notch Hold Open Clip	3.1 (1.4)

## Construction

Body	One piece die cast aluminum
Seals	Fluorocarbon
Packing	Double o-ring seal protected by fiber reinforced Teflon <sup>®</sup>
Lever	One piece contoured steel with hard plastic cover
Inlet	3/4" / 19 mm NPT



WARNING: Cancer and Reproductive Harm - www.P65Warnings.ca.gov



XS<sup>®</sup>

CW Nozzles

Pressure activated, automatic shut-off nozzle for full-service, self-service and unattended stations.

## Dimensions and System Options

### Safe-T-Breaks<sup>®</sup>

MODEL NO.	DESCRIPTION
003360	¾" F x ¾" F NPT Reconnectable Safe-T-Break <sup>®</sup>
002273	¾" F x ¾" F NPT Non-Reconnectable Safe-T-Break <sup>®</sup>
006130	¾" F x ¾" F NPT Non-Reconnectable PCC Safe-T-Break <sup>®</sup>
005230	¾" F x ¾" F NPT Low Pull Reconnectable Safe-T-Break <sup>®</sup>

### Swivels

MODEL NO.	DESCRIPTION
000350	¾" M x ¾" F NPT Multi-Plane Swivel
000355	¾" M x ¾" F NPT Multi-Plane Black Swivel
002272	¾" M x ¾" F NPT 90° Pump Swivel
003895	¾" M x ¾" F NPT Inline Swivel
002950	¾" M x ¾" F NPT Multi-Plane Restricted Swivel

### Swivel/Safe-T-Break<sup>®</sup> Combos

MODEL NO.	DESCRIPTION
006310	¾" M NPT Multi-Plane Swivel connected to ¾" F NPT Reconnectable Safe-T-Break <sup>®</sup>

### Spouts

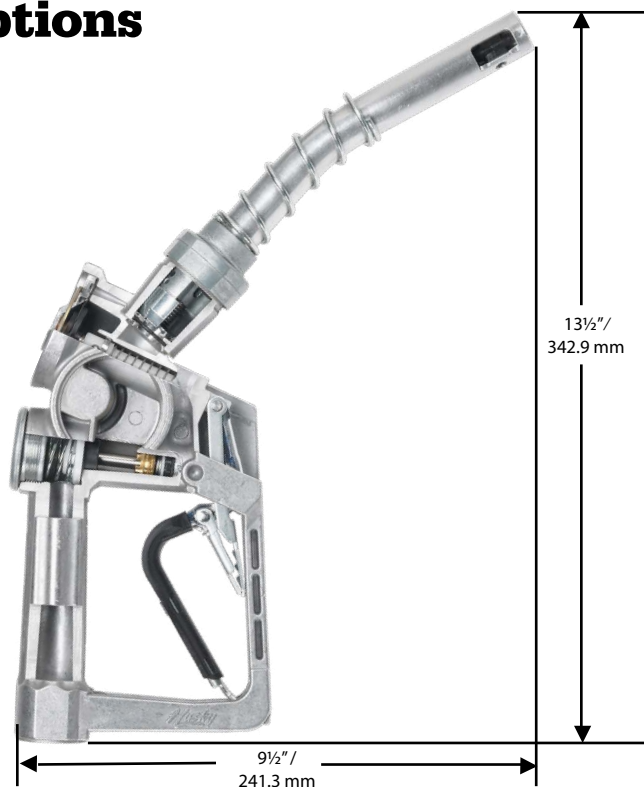
MODEL NO.	DESCRIPTION
001473	Unleaded Spout without Flo-Stop <sup>®</sup>
010434	Unleaded Long Spout without Flo-Stop <sup>®</sup>
001471	Light Duty Diesel Spout without Flo-Stop <sup>®</sup> with StreamShaper <sup>®</sup>
010353	Light Duty Diesel Long Spout without Flo-Stop <sup>®</sup>

### Pressure/Vacuum Vents

MODEL NO.	DESCRIPTION
004620	2" Slip-On Pressure Vacuum Vent
004885	2" Thread-On Pressure Vacuum Vent - NPT
005885	2" Thread-On Pressure Vacuum Vent with Internal Screen - NPT

### Accessories, Testing and Maintenance

MODEL NO.	DESCRIPTION
004490	Conventional Flo-Equalizer <sup>®</sup> - 10 gpm / 37.9 Lpm
003593	Hold Open Clip Kit
007490	Internal Flo-Equalizer <sup>®</sup> - 10 gpm / 37.9 Lpm
007089	Nozzle Service Kit
000397	Unleaded Spout Gauge



### Guards

MODEL NO.	DESCRIPTION
003376	Black Handle Cover
004145	Full Grip Guard
001806	Full Grip Reguard
005494	Lever Guard
003440	Mate Easy-on Package
003795	Mate Guard
008176	POPD <sup>®</sup> EZH Nozzle Guard
008175	POPD <sup>®</sup> EZS Nozzle Guard
007999	POPD <sup>®</sup> H Clear Cover
008185	POPD <sup>®</sup> H Full Grip Guard
008192	POPD <sup>®</sup> H Full Grip Reguard
008166	POPD <sup>®</sup> H Mate Guard
006628	POPD <sup>®</sup> S Clear Cover
006665	POPD <sup>®</sup> S Full Grip Guard
007205	POPD <sup>®</sup> S Full Grip Reguard
008165	POPD <sup>®</sup> S Mate Guard
001506	Protection Package
001809	Reguard Protection Package
001808	Waffle Splash Guard



2325 Husky Way • Pacific, MO 63069  
 (800) 325-3558 • Fax (636) 825-7300  
[www.husky.com](http://www.husky.com) • [sales@husky.com](mailto:sales@husky.com)

MADE IN THE U.S.A.

## Pressure activated, automatic shut-off nozzle for full-service and self-service stations.

- XS<sup>®</sup> nozzle shuts off when:
  - the pump shuts off.
  - the gas tank is full.
  - the lever is opened before the pump is turned on.
  - the leak detector has not completed the test cycle.
- Double Poppet allows “to the penny” dispensing.
- Double Poppet is a two (2) step closure reducing the amount of pressure spiking, or “hydraulic hammer” and the adverse effects this has on the hose and dispenser meter.
- A reinforced stainless steel spout bushing keeps spout tip round and acts as a captive fastener to prevent tip-end sensor damage.
- Nozzle is equipped with a unique Flo-Stop<sup>®</sup> device that shuts off the nozzle if it falls from the fill tank or raises above the horizontal.
- *StreamShaper*<sup>®</sup> reduces turbulence for straighter fuel flow and less splash back spillage.
- Comes standard with smooth full grip guard.



### New Unleaded Nozzles with NPT

MODEL NO.	DESCRIPTION	SHIPPING WEIGHT LBS (KG)
539676	with Three Notch Hold Open Clip and Waffle Splash Guard	3.1 (1.4)

### New Light Duty Diesel Nozzles with NPT

MODEL NO.	DESCRIPTION	SHIPPING WEIGHT LBS (KG)
5396135	with Three Notch Hold Open Clip and Mate Guard with StreamShaper <sup>®</sup>	3.1 (1.4)

### New Unleaded Nozzles with BSPP

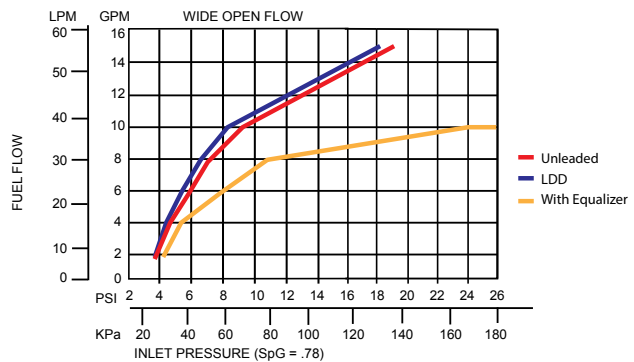
MODEL NO.	DESCRIPTION	SHIPPING WEIGHT LBS (KG)
539632A*	with Three Notch Hold Open Clip and Sightglass - Atex 3.1 (1.4)	
E539687	with Three Notch Hold Open Clip Flo-Equalizer <sup>®</sup> and Mate Guard	3.1 (1.4)
E539620	without Hold Open Clip	3.1 (1.4)

### New Light Duty Diesel Nozzles with BSPP

MODEL NO.	DESCRIPTION	SHIPPING WEIGHT LBS (KG)
E539686	with Three Notch Hold Open Clip, Flo-Equalizer <sup>®</sup>	3.1 (1.4)

### CONSTRUCTION

Body	One piece die cast aluminum
Seals	Fluorocarbon
Packing	Double o-ring seal protected by fiber reinforced Teflon <sup>®</sup>
Lever	One piece contoured steel with hard plastic cover
Inlet	3/4" / 19 mm NPT or BSPP



II 1 G  
EN 13012  
TYPE 1



WARNING: Cancer and Reproductive Harm - www.P65Warnings.ca.gov

XS<sup>®</sup>

DP Nozzles

Pressure activated, automatic shut-off nozzle for full-service and self-service stations.

## Dimensions and System Options

### Safe-T-Breaks<sup>®</sup>

MODEL NO.	DESCRIPTION
003360	¾" F x ¾" F NPT Reconnectable Safe-T-Break <sup>®</sup>
002273	¾" F x ¾" F NPT Non-Reconnectable Safe-T-Break <sup>®</sup>
006130	¾" F x ¾" F NPT Non-Reconnectable PCC Safe-T-Break <sup>®</sup>
005230	¾" F x ¾" F NPT Low Pull Reconnectable Safe-T-Break <sup>®</sup>
003385	¾" F x ¾" F BSPP Reconnectable Safe-T-Break <sup>®</sup>
003385A	¾" F x ¾" F BSPP Reconnectable Safe-T-Break <sup>®</sup> - Atex
002774	¾" F x ¾" F BSPP Non-Reconnectable Safe-T-Break <sup>®</sup>
002774A	¾" F x ¾" F BSPP Non-Reconnectable Safe-T-Break <sup>®</sup> - Atex

### Swivels

MODEL NO.	DESCRIPTION
000350	¾" M x ¾" F NPT Multi-Plane Swivel
000355	¾" M x ¾" F NPT Multi-Plane Swivel Anodized Black
002272	¾" M x ¾" F NPT 90° Pump Swivel
003895	¾" M x ¾" F NPT Inline Swivel
002950	¾" M x ¾" F NPT Multi-Plane Restricted Swivel
003590	¾" M x ¾" F BSPP Multi-Plane Swivel
003590A	¾" M x ¾" F BSPP Multi-Plane Swivel - Atex
002771	¾" M x ¾" F BSPP 90° Pump Swivel
002771A	¾" M x ¾" F BSPP 90° Pump Swivel - Atex

### Swivel/Safe-T-Break<sup>®</sup> Combos

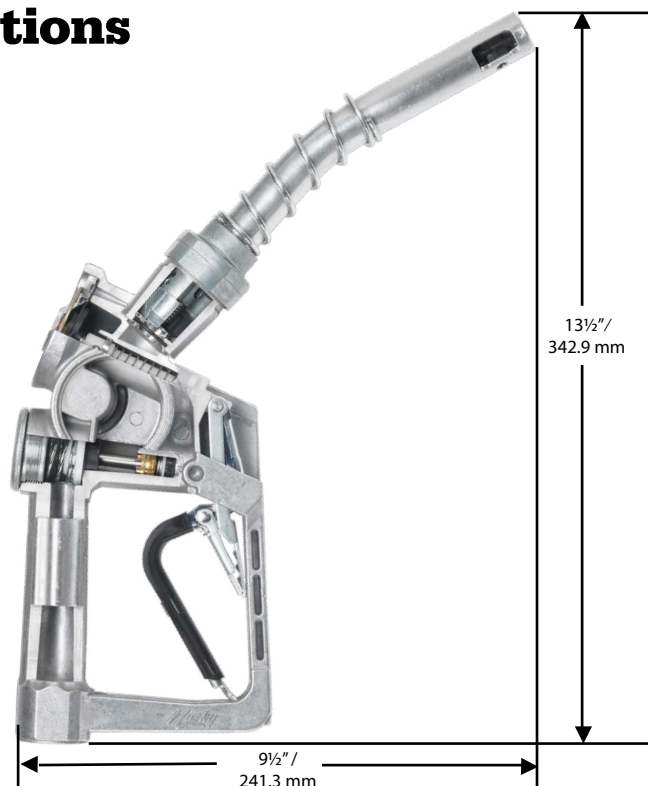
MODEL NO.	DESCRIPTION
006310	¾" M NPT Multi-Plane Swivel connected to ¾" F NPT Reconnectable Safe-T-Break <sup>®</sup>
007085	¾" M BSPP Multi-Plane Swivel connected to ¾" F BSPP Reconnectable Safe-T-Break <sup>®</sup>
007085A	¾" M BSPP Multi-Plane Swivel connected to ¾" F BSPP Reconnectable Safe-T-Break <sup>®</sup> - Atex

### Accessories, Testing and Maintenance

MODEL NO.	DESCRIPTION
004490	Conventional Flo-Equalizer <sup>®</sup> - 10 gpm / 37.9 Lpm
003593	Hold Open Clip Kit
007089	Nozzle Service Kit
000397	Unleaded Spout Gauge

### Spouts

MODEL NO.	DESCRIPTION
001473	Unleaded Spout without Flo-Stop <sup>®</sup>
010434	Unleaded Long Spout without Flo-Stop <sup>®</sup>
001471	Light Duty Diesel Spout without Flo-Stop <sup>®</sup> with StreamShaper <sup>®</sup>
010353	Light Duty Diesel Long Spout without Flo-Stop <sup>®</sup>



### Pressure/Vacuum Vents

MODEL NO.	DESCRIPTION
004620	2" Slip-On Pressure Vacuum Vent
004885	2" Thread-On Pressure Vacuum Vent - NPT
005885	2" Thread-On Pressure Vacuum Vent with Internal Screen - NPT

### Guards

MODEL NO.	DESCRIPTION
003376	Black Handle Cover
004145	Full Grip Guard
001806	Full Grip Reguard
005494	Lever Guard
003440	Mate Easy-on Package
003795	Mate Guard
008176	POPD <sup>®</sup> EZH Nozzle Guard
008175	POPD <sup>®</sup> EZS Nozzle Guard
007999	POPD <sup>®</sup> H Clear Cover
008185	POPD <sup>®</sup> H Full Grip Guard
008192	POPD <sup>®</sup> H Full Grip Reguard
008166	POPD <sup>®</sup> H Mate Guard
006628	POPD <sup>®</sup> S Clear Cover
006665	POPD <sup>®</sup> S Full Grip Guard
007205	POPD <sup>®</sup> S Full Grip Reguard
008165	POPD <sup>®</sup> S Mate Guard
001506	Protection Package
001809	Reguard Protection Package
001808	Waffle Splash Guard



2325 Husky Way • Pacific, MO 63069  
 (800) 325-3558 • Fax (636) 825-7300  
[www.husky.com](http://www.husky.com) • [sales@husky.com](mailto:sales@husky.com)

MADE IN THE U.S.A.

# XS<sup>®</sup> MFM Nozzles



Pressure activated, automatic shut-off nozzle for full-service and self-service stations.

- XS<sup>®</sup> nozzle shuts off when:
  - the pump shuts off.
  - the gas tank is full.
  - the lever is opened before the pump is turned on.
  - the leak detector has not completed the test cycle.
- *StreamShaper*<sup>®</sup> reduces turbulence for straighter fuel flow and less splash back spillage.
- Comes standard with smooth full grip guard.
- A reinforced stainless steel spout bushing keeps spout tip round and acts as a captive fastener to prevent tip-end sensor damage.
- Nozzle is equipped with a unique Flo-Stop<sup>®</sup> device that shuts off the nozzle if it falls from the fill tank or raises above the horizontal.



## New Unleaded Nozzles

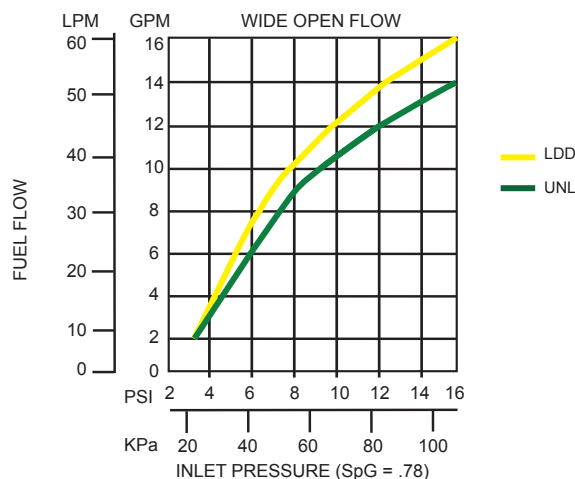
MODEL NO.	DESCRIPTION	SHIPPING WEIGHT LBS (KG)
159562	with Three Notch Hold Open Clip and Waffle Splash Guard	3.3 (1.4)
159568	without Hold Open Clip, with Red VSG, Sightglass and Lenticular Lens	3.0 (1.3)
E159560	with Three Notch Hold Open Clip, Mate Guard and Waffle Splash Guard	3.3 (1.4)

## New Light Duty Diesel Nozzles

MODEL NO.	DESCRIPTION	SHIPPING WEIGHT LBS (KG)
159560	with Three Notch Hold Open Clip and Waffle Splash Guard	3.3 (1.4)
539660	with Three Notch Hold Open Clip, Double Poppet and Waffle Splash Guard	3.3 (1.4)
1595267	with Three Notch Hold Open Clip, and Drip Less Spout	3.3 (1.4)

## CONSTRUCTION

Body	One piece die cast aluminum
Seals	Fluorocarbon
Packing	Double o-ring seal protected by fiber reinforced Teflon <sup>®</sup>
Lever	One piece contoured steel with hard plastic cover
Inlet	1" / 25.4 mm NPT



WARNING: Cancer and Reproductive Harm - www.P65Warnings.ca.gov

**Husky**

GENERAL FUELING PRODUCTS

**XS<sup>®</sup>****MFM Nozzles****Pressure activated, automatic shut-off nozzle for full-service and self-service stations.**

## Dimensions and System Options

### Safe-T-Breaks<sup>®</sup>

MODEL NO.	DESCRIPTION
002276	1" F x 1" F NPT Reconnectable Safe-T-Break <sup>®</sup>
005812	1" F x 1" F NPT Non-Reconnectable Safe-T-Break <sup>®</sup>
006301	1" F x 1" F NPT Non-Reconnectable PCC Safe-T-Break <sup>®</sup>
005231	1" F x 1" F NPT Low Pull Reconnectable Safe-T-Break <sup>®</sup>

### Swivels

MODEL NO.	DESCRIPTION
000087	1" M x 1" F NPT Multi-Plane Swivel
004860	1" M x 1" F NPT Multi-Plane High Flow Swivel
000095	1" M x 1" F NPT 70° Pump Swivel
003395	1" M x 1" F NPT Multi-Plane Restricted Swivel
000352	1" M x 3/4" F NPT Multi-Plane Swivel
000356	1" M x 3/4" F NPT Multi-Plane Swivel Anodized Black

### Swivel/Safe-T-Break<sup>®</sup> Combos

MODEL NO.	DESCRIPTION
005969	1" M NPT Multi-Plane Swivel connected to 1" F NPT Reconnectable Safe-T-Break <sup>®</sup>

### Spouts

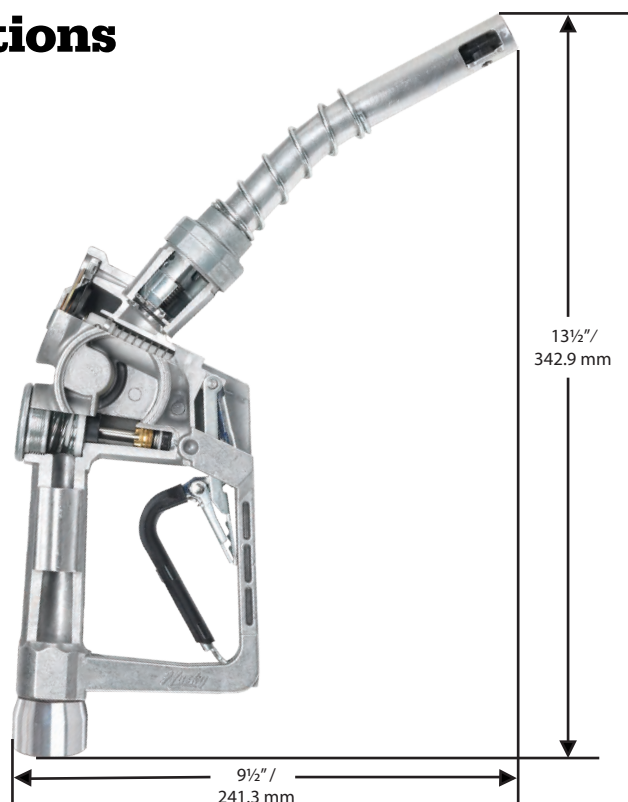
MODEL NO.	DESCRIPTION
001473	Unleaded Spout without Flo-Stop <sup>®</sup>
010434	Unleaded Long Spout without Flo-Stop <sup>®</sup>
001471	Light Duty Diesel Spout without Flo-Stop <sup>®</sup> with StreamShaper <sup>®</sup>
010353	Light Duty Diesel Long Spout without Flo-Stop <sup>®</sup>

### Pressure/Vacuum Vents

MODEL NO.	DESCRIPTION
004620	2" Slip-On Pressure Vacuum Vent
004885	2" Thread-On Pressure Vacuum Vent - NPT
005885	2" Thread-On Pressure Vacuum Vent with Internal Screen - NPT

### Accessories, Testing and Maintenance

MODEL NO.	DESCRIPTION
007089	Nozzle Service Kit
003593	Hold Open Clip Kit
000397	Unleaded Spout Gauge
000385	1" M x 3/4" F Reducer Bushing



### Guards

MODEL NO.	DESCRIPTION
004145	Full Grip Guard
001806	Full Grip Reguard
005494	Lever Guard
008176	POPD <sup>®</sup> EZH Nozzle Guard
008175	POPD <sup>®</sup> EZS Nozzle Guard
007999	POPD <sup>®</sup> H Clear Cover
008185	POPD <sup>®</sup> H Full Grip Guard
008192	POPD <sup>®</sup> H Full Grip Reguard
008166	POPD <sup>®</sup> H Mate Guard
006628	POPD <sup>®</sup> S Clear Cover
006665	POPD <sup>®</sup> S Full Grip Guard
007205	POPD <sup>®</sup> S Full Grip Reguard
008165	POPD <sup>®</sup> S Mate Guard
001506	Protection Package
001809	Reguard Protection Package
001808	Waffle Splash Guard



2325 Husky Way • Pacific, MO 63069  
 (800) 325-3558 • Fax (636) 825-7300  
[www.husky.com](http://www.husky.com) • [sales@husky.com](mailto:sales@husky.com)

MADE IN THE U.S.A.





# XS<sup>®</sup> Rebuilt Nozzles



**Pressure activated, automatic shut-off nozzle for full-service, self-service and unattended stations.**

- XS<sup>®</sup> nozzle shuts off when:
  - the pump shuts off.
  - the gas tank is full.
  - the lever is opened before the pump is turned on.
  - the leak detector has not completed the test cycle.
- A reinforced stainless steel spout bushing keeps the spout tip round and acts as a captive fastener to prevent tip-end sensor damage.
- Nozzle is equipped with a unique Flo-Stop<sup>®</sup> device that shuts off the nozzle if it falls from the fill tank or raises above the horizontal.
- *StreamShaper*<sup>®</sup> reduces turbulence for straighter fuel flow and less splash back spillage.
- Comes standard with smooth full grip guard.



## Rebuilt Unleaded Nozzles

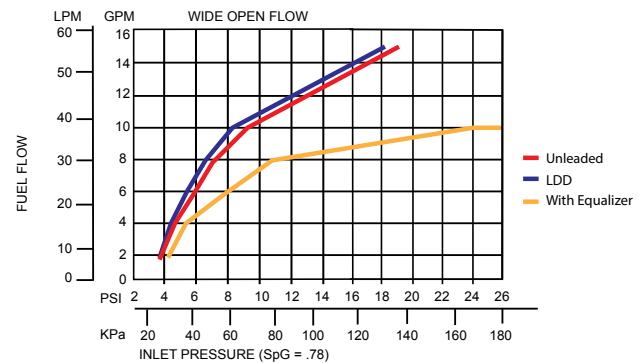
MODEL NO.	DESCRIPTION	SHIPPING WEIGHT LBS (KG)
265804	with Three Notch Hold Open Clip	3.1 (1.4)
265824	with Three Notch Hold Open Clip and Sightglass	3.1 (1.4)
265844	with Three Notch Hold Open Clip, Waffle Splash Guard and Flo-Equalizer <sup>®</sup>	3.1 (1.4)
265854	with Three Notch Hold Open Clip and Flo-Equalizer <sup>®</sup>	3.1 (1.4)
265858	without Hold Open Clip, with Flo-Equalizer <sup>®</sup>	3.1 (1.4)
265864	with Three Notch Hold Open Clip and Waffle Splash Guard	3.0 (1.3)

## Rebuilt Light Duty Diesel Nozzles

MODEL NO.	DESCRIPTION	SHIPPING WEIGHT LBS (KG)
265803	with Three Notch Hold Open Clip	3.1 (1.4)
265807	without Hold Open Clip	3.1 (1.4)
265845	with Three Notch Hold Open Clip and Flo-Equalizer <sup>®</sup>	3.1 (1.4)
265857	with Three Notch Hold Open Clip and Waffle Splash Guard	3.3 (1.4)
265863	with Three Notch Hold Open Clip and Waffle Splash Guard	3.1 (1.4)

## Construction

Body	One piece die cast aluminum
Seals	Fluorocarbon
Packing	Double o-ring seal protected by fiber reinforced Teflon <sup>®</sup>
Lever	One piece contoured steel with hard plastic cover
Inlet	3/4" / 19 mm NPT



WARNING: Cancer and Reproductive Harm - www.P65Warnings.ca.gov

**Husky**

GENERAL FUELING PRODUCTS

**XS®**

# Rebuilt Nozzles

**Pressure activated, automatic shut-off nozzle for full-service, self-service and unattended stations.**

## Dimensions and System Options

### Safe-T-Breaks®

MODEL NO.	DESCRIPTION
003360	¾" F x ¾" F NPT Reconnectable Safe-T-Break®
002273	¾" F x ¾" F NPT Non-Reconnectable Safe-T-Break®
006130	¾" F x ¾" F NPT Non-Reconnectable PCC Safe-T-Break®
005230	¾" F x ¾" F NPT Low Pull Reconnectable Safe-T-Break®

### Swivels

MODEL NO.	DESCRIPTION
000350	¾" M x ¾" F NPT Multi-Plane Swivel
000355	¾" M x ¾" F NPT Multi-Plane Black Swivel
002272	¾" M x ¾" F NPT 90° Pump Swivel
003895	¾" M x ¾" F NPT Inline Swivel
002950	¾" M x ¾" F NPT Multi-Plane Restricted Swivel

### Swivel/Safe-T-Break® Combos

MODEL NO.	DESCRIPTION
006310	¾" M NPT Multi-Plane Swivel connected to ¾" F NPT Reconnectable Safe-T-Break®

### Spouts

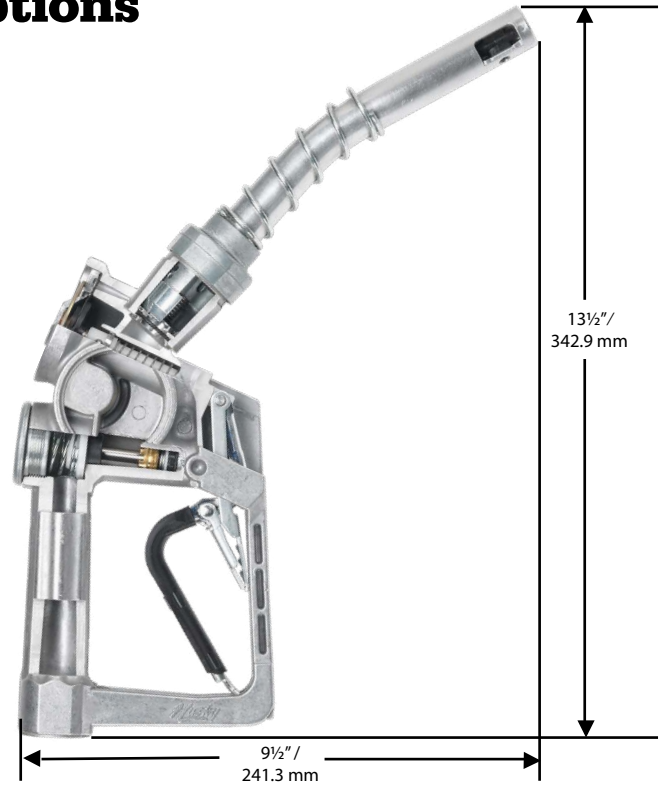
MODEL NO.	DESCRIPTION
001473	Unleaded Spout without Flo-Stop®
010434	Unleaded Long Spout without Flo-Stop®
001471	Light Duty Diesel Spout without Flo-Stop® with StreamShaper®
010353	Light Duty Diesel Long Spout without Flo-Stop®

### Pressure/Vacuum Vents

MODEL NO.	DESCRIPTION
004620	2" Slip-On Pressure Vacuum Vent
004885	2" Thread-On Pressure Vacuum Vent - NPT
005885	2" Thread-On Pressure Vacuum Vent with Internal Screen - NPT

### Accessories, Testing and Maintenance

MODEL NO.	DESCRIPTION
004490	Conventional Flo-Equalizer® - 10 gpm / 37.9 Lpm
003593	Hold Open Clip Kit
007490	Internal Flo-Equalizer® - 10 gpm / 37.9 Lpm
007089	Nozzle Service Kit
000397	Unleaded Spout Gauge



### Guards

MODEL NO.	DESCRIPTION
003376	Black Handle Cover
004145	Full Grip Guard
001806	Full Grip Reguard
005494	Lever Guard
003440	Mate Easy-on Package
003795	Mate Guard
008176	POPD® EZH Nozzle Guard
008175	POPD® EZS Nozzle Guard
007999	POPD® H Clear Cover
008185	POPD® H Full Grip Guard
008192	POPD® H Full Grip Reguard
008166	POPD® H Mate Guard
006628	POPD® S Clear Cover
006665	POPD® S Full Grip Guard
007205	POPD® S Full Grip Reguard
008165	POPD® S Mate Guard
001506	Protection Package
001809	Reguard Protection Package
001808	Waffle Guard



2325 Husky Way • Pacific, MO 63069  
 (800) 325-3558 • Fax (636) 825-7300  
[www.husky.com](http://www.husky.com) • [sales@husky.com](mailto:sales@husky.com)

MADE IN THE U.S.A.

# XS<sup>®</sup> Sightglass Nozzles



## Automatic shut-off nozzle for full-service and self-service stations.

- XS<sup>®</sup> nozzle shuts off when:
  - the pump shuts off.
  - the gas tank is full.
  - the lever is opened before the pump is turned on.
  - the leak detector has not completed the test cycle.
- A reinforced stainless steel spout bushing keeps spout tip round and acts as a captive fastener to prevent tip-end sensor damage.
- Nozzle is equipped with a unique Flo-Stop<sup>®</sup> device that shuts off the nozzle if it falls from the fill tank or raises above the horizontal.
- Sightglass on nozzle allows customer to see fuel flow through nozzle.
- *StreamShaper<sup>®</sup>* reduces turbulence for straighter fuel flow and less splash back spillage.
- Comes standard with smooth full grip guard.



### New Unleaded Nozzles

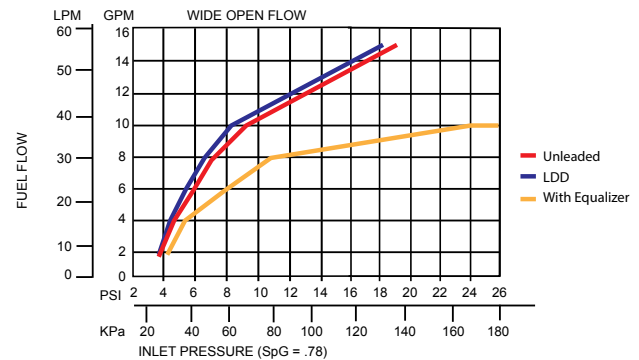
MODEL NO.	DESCRIPTION	SHIPPING WEIGHT LBS (KG)
159524	with Three Notch Hold Open Clip	3.1 (1.4)
E159524	with Three Notch Hold Open Clip	3.1 (1.4)
E159528	without Hold Open Clip	3.1 (1.4)
E11635236	with Two Notch Hold Open Clip, Waffle Splash Guard and Mate Guard	3.1 (1.4)

### New Light Duty Diesel Nozzles

MODEL NO.	DESCRIPTION	SHIPPING WEIGHT LBS (KG)
159523	with Three Notch Hold Open Clip	3.1 (1.4)
E159523	with Three Notch Hold Open Clip	3.1 (1.4)
159527	without Hold Open Clip	3.1 (1.4)
E159527	without Hold Open Clip	3.1 (1.4)

### Construction

Body	One piece die cast aluminum
Seals	Fluorocarbon
Packing	Double o-ring seal protected by fiber reinforced Teflon <sup>®</sup>
Lever	One piece contoured steel with hard plastic cover
Inlet	3/4" / 19.1 mm NPT



WARNING: Cancer and Reproductive Harm - www.P65Warnings.ca.gov



**Husky**

GENERAL FUELING PRODUCTS

**XS<sup>®</sup>****Sightglass Nozzles****Automatic shut-off nozzle for full-service and self-service stations.****Dimensions and System Options****Safe-T-Breaks<sup>®</sup>**

MODEL NO.	DESCRIPTION
003360	¾" F x ¾" F NPT Reconnectable Safe-T-Break <sup>®</sup>
002273	¾" F x ¾" F NPT Non-Reconnectable Safe-T-Break <sup>®</sup>
006130	¾" F x ¾" F NPT Non-Reconnectable PCC Safe-T-Break <sup>®</sup>
005230	¾" F x ¾" F NPT Low Pull Reconnectable Safe-T-Break <sup>®</sup>

**Swivels**

MODEL NO.	DESCRIPTION
000350	¾" M x ¾" F NPT Multi-Plane Swivel
000355	¾" M x ¾" F NPT Multi-Plane Swivel Anodized Black
002272	¾" M x ¾" F NPT 90° Pump Swivel
003895	¾" M x ¾" F NPT Inline Swivel
002950	¾" M x ¾" F NPT Multi-Plane Restricted Swivel

**Swivel/Safe-T-Break<sup>®</sup> Combos**

MODEL NO.	DESCRIPTION
006310	¾" M NPT Multi-Plane Swivel connected to ¾" F NPT Reconnectable Safe-T-Break <sup>®</sup>

**Spouts**

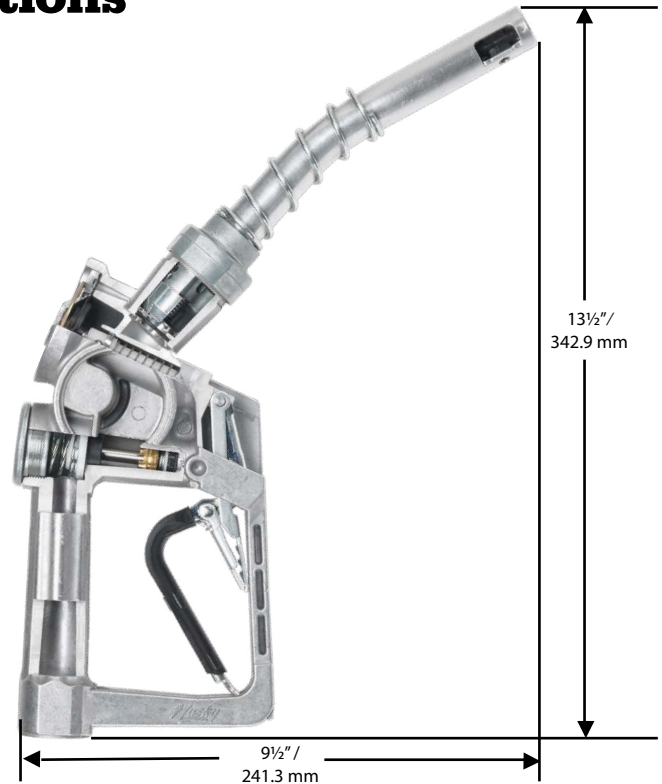
MODEL NO.	DESCRIPTION
001473	Unleaded Spout without Flo-Stop <sup>®</sup>
010434	Unleaded Long Spout without Flo-Stop <sup>®</sup>
001471	Light Duty Diesel Spout without Flo-Stop <sup>®</sup> with StreamShaper <sup>®</sup>
010353	Light Duty Diesel Long Spout without Flo-Stop <sup>®</sup>

**Pressure/Vacuum Vents**

MODEL NO.	DESCRIPTION
004620	2" Slip-On Pressure Vacuum Vent
004885	2" Thread-On Pressure Vacuum Vent - NPT
005885	2" Thread-On Pressure Vacuum Vent with Internal Screen - NPT

**Accessories, Testing and Maintenance**

MODEL NO.	DESCRIPTION
004490	Conventional Flo-Equalizer <sup>®</sup> - 10 gpm / 37.9 Lpm
003593	Hold Open Clip Kit
007490	Internal Flo-Equalizer <sup>®</sup> - 10 gpm / 37.9 Lpm
007089	Nozzle Service Kit
000397	Unleaded Spout Gauge

**Guards**

MODEL NO.	DESCRIPTION
003376	Black Handle Guard
004145	Full Grip Guard
001806	Full Grip Reguard
005494	Lever Guard
003440	Mate Easy-on Package
003795	Mate Guard
008176	POPD <sup>®</sup> EZH Nozzle Guard
008175	POPD <sup>®</sup> EZS Nozzle Guard
007999	POPD <sup>®</sup> H Clear Cover
008185	POPD <sup>®</sup> H Full Grip Guard
008192	POPD <sup>®</sup> H Full Grip Reguard
008166	POPD <sup>®</sup> H Mate Guard
006628	POPD <sup>®</sup> S Clear Cover
006665	POPD <sup>®</sup> S Full Grip Guard
007205	POPD <sup>®</sup> S Full Grip Reguard
008165	POPD <sup>®</sup> S Mate Guard
001506	Protection Package
001809	Reguard Protection Package
001808	Waffle Splash Guard



2325 Husky Way • Pacific, MO 63069  
 (800) 325-3558 • Fax (636) 825-7300  
[www.husky.com](http://www.husky.com) • [sales@husky.com](mailto:sales@husky.com)

MADE IN THE U.S.A.

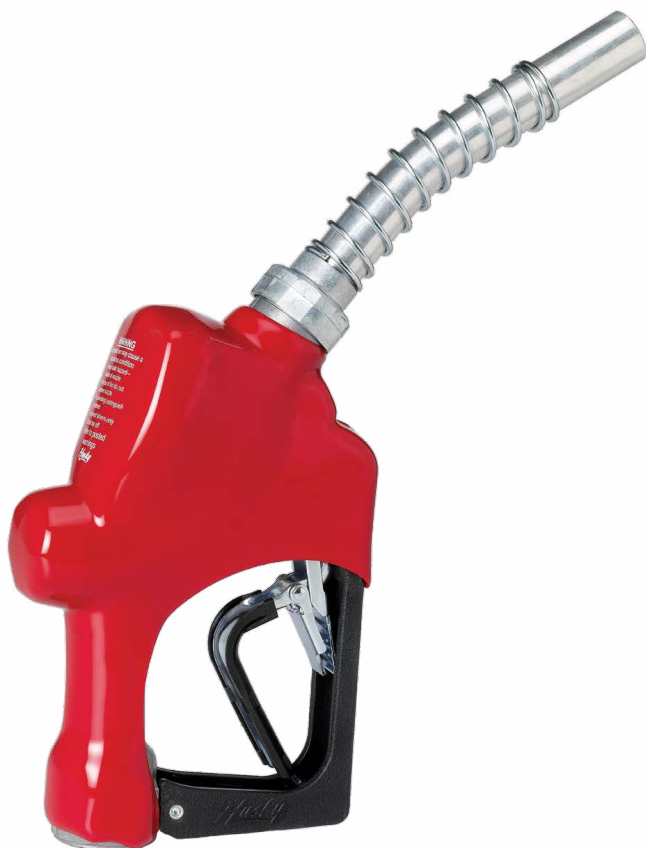


# 1A Rebuilt Nozzles



**Automatic shut-off nozzle with polymer handguard for full-service and self-service stations.**

- 1A nozzle shuts off when the gas tank is full.
- Nozzle is equipped with a unique Flo-Stop® device that shuts off the nozzle if it falls from the fill tank or raises above the horizontal.
- Aluminum reinforced spout bushing keeps spout tip round and acts as a captive fastener to prevent tip-end sensor damage.
- *StreamShaper*® reduces turbulence for straighter fuel flow and less splash back spillage.
- Comes standard with smooth full grip guard.



## Rebuilt Unleaded Nozzles

MODEL	DESCRIPTION	SHIPPING WEIGHT LBS (KG)
074704N^	with Three Notch Hold Open Clip	3.5 (1.6)
074708	without Hold Open Clip	3.5 (1.6)
074759N^	with Three Notch Hold Open Clip and Waffle Splash Guard	3.5 (1.6)
074772N^	with Three Notch Hold Open Clip, Waffle Splash Guard with Reducer Bushing	3.3 (1.4)

^ NOT LISTED

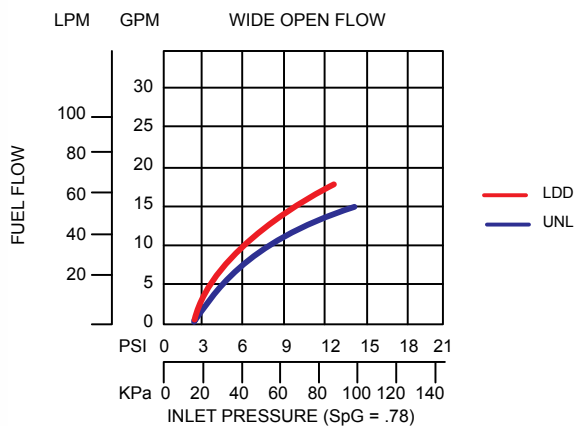
## Rebuilt Light Duty Diesel Nozzles

MODEL	DESCRIPTION	SHIPPING WEIGHT LBS (KG)
074703N^	with Three Notch Hold Open Clip	3.6 (1.7)
074761N^	with Three Notch Hold Open Clip and Waffle Splash Guard	3.6 (1.7)
074773N^	with Three Notch Hold Open Clip, Waffle Splash Guard and Reducer Bushing	3.0 (1.3)
Reducer Bushing		3.3 (1.4)

^ NOT LISTED

## Construction

Body	Die cast aluminum body with black hand guard
Seals	Fluorocarbon
Packing	Double o-ring seal protected by fiber reinforced Teflon®
Lever	One piece contoured steel with hard plastic cover
Inlet	1" / 25.4 mm NPT and BSPP



WARNING: Cancer and Reproductive Harm - www.P65Warnings.ca.gov

**Husky**

GENERAL FUELING PRODUCTS

# 1A Rebuilt Nozzles

Automatic shut-off nozzle with polymer handguard for full-service and self-service stations.

## Dimensions and System Options

### Safe-T-Breaks®

MODEL NO.	DESCRIPTION
002276	1" F x 1" F NPT Reconnectable Safe-T-Break®
005812	1" F x 1" F NPT Non-Reconnectable Safe-T-Break®
006301	1" F x 1" F NPT Non-Reconnectable PCC Safe-T-Break®
005231	1" F x 1" F NPT Low Pull Reconnectable
003076	1" F x 1" F BSPP Reconnectable Safe-T-Break®
003076A	1" F x 1" F BSPP Reconnectable Safe-T-Break® - Atex
006914	1" F x 1" F BSPP Non-Reconnectable Safe-T-Break®

### Swivels

MODEL NO.	DESCRIPTION
000087	1" M x 1" F NPT Multi-Plane Swivel
004860	1" M x 1" F NPT Multi-Plane High Flow Swivel
000095	1" M x 1" F NPT 70° Pump Swivel
003395	1" M x 1" F NPT Multi-Plane Restricted Swivel
000352	1" M x ¾" F NPT Multi-Plane Swivel
000356	1" M x ¾" F NPT Multi-Plane Swivel Anodized Black
003306	1" M x 1" F BSPP Multi-Plane Swivel
003306A	1" M x 1" F BSPP Multi-Plane Swivel - Atex
006949	1" M x 1" F BSPP Multi-Plane High Flow Swivel

### Swivel/Safe-T-Break® Combos

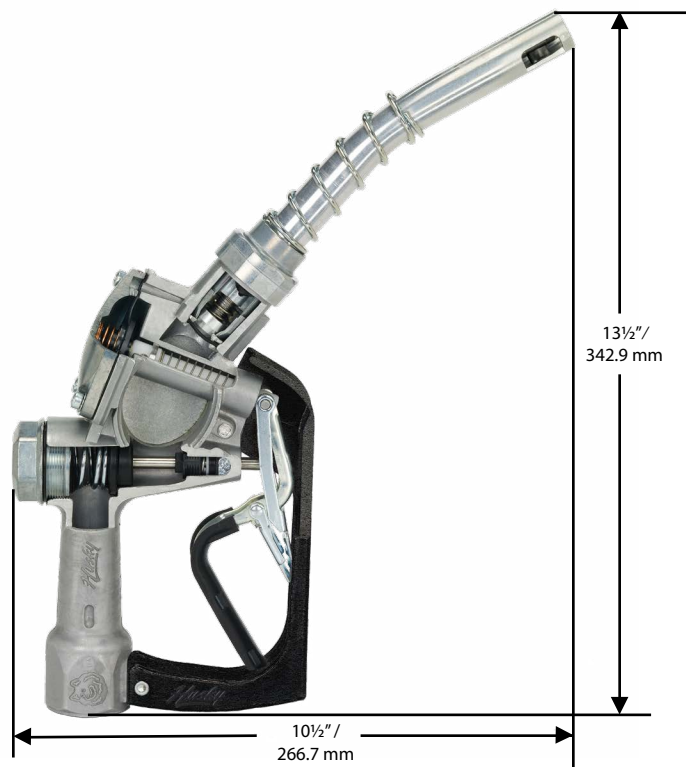
MODEL NO.	DESCRIPTION
005969	1" M NPT Multi-Plane Swivel connected to 1" F NPT Reconnectable Safe-T-Break®
008015	1" M BSPP Multi-Plane Swivel connected to 1" F BSPP Reconnectable Safe-T-Break®
008015A	1" M BSPP Multi-Plane Swivel connected to 1" F BSPP Reconnectable Safe-T-Break® - Atex

### Spouts

MODEL NO.	DESCRIPTION
001473	Unleaded Spout without Flo-Stop®
010434	Unleaded Long Spout without Flo-Stop®
001471	Light Duty Diesel Spout without Flo-Stop® with StreamShaper®
010353	Light Duty Diesel Long Spout without Flo-Stop®

### Accessories, Testing and Maintenance

MODEL NO.	DESCRIPTION
000385	1" M x ¾" F Reducer Bushing
003593	Hold Open Clip Kit
007089	Nozzle Service Kit
000397	Unleaded Spout Gauge



### Pressure/Vacuum Vents

MODEL NO.	DESCRIPTION
004620	2" Slip-On Pressure Vacuum Vent
004885	2" Thread-On Pressure Vacuum Vent - NPT
005885	2" Thread-On Pressure Vacuum Vent with Internal Screen - NPT

### Guards

MODEL NO.	DESCRIPTION
000554	Full Grip Guard
001804	Full Grip Reguard
005494	Lever Guard
007295	Mate Handle Guard
000226	Mate Nozzle Guard
008180	POPD® EZH Nozzle Guard
008179	POPD® EZS Nozzle Guard
007999	POPD® H Clear Cover
008183	POPD® H Full Grip Guard
008190	POPD® H Full Grip Reguard
008170	POPD® H Mate Nozzle Guard
006628	POPD® S Clear Cover
006655	POPD® S Full Grip Guard
007210	POPD® S Full Grip Reguard
008169	POPD® S Mate Nozzle Guard
000099	Protection Package
001811	Reguard Protection Package
001808	Waffle Splash Guard



2325 Husky Way • Pacific, MO 63069  
(800) 325-3558 • Fax (636) 825-7300

[www.husky.com](http://www.husky.com) • [sales@husky.com](mailto:sales@husky.com)

MADE IN THE U.S.A.



# X CW Rebuilt Nozzles



**Automatic shut-off nozzle for full-service and self-service stations.**

- Aluminum reinforced spout bushing keeps the spout tip round and acts as a captive fastener to prevent tip-end sensor damage.
- *StreamShaper*® reduces turbulence for straighter fuel flow and less splash back spillage.
- Comes standard with smooth full grip guard.
- Contains a poppet disc seal, rated at -40° F/C to prevent fuel leakage from the main seal in extreme cold weather.
- Nozzle is equipped with a unique Flo-Stop® device that shuts off the nozzle if it falls from the fill tank or raises above the horizontal.



## Rebuilt Unleaded Nozzles

MODEL NO.	DESCRIPTION	SHIPPING WEIGHT LBS (KG)
503704N^	with Three Notch Hold Open Clip	3.1 (1.4)

^ NOT LISTED

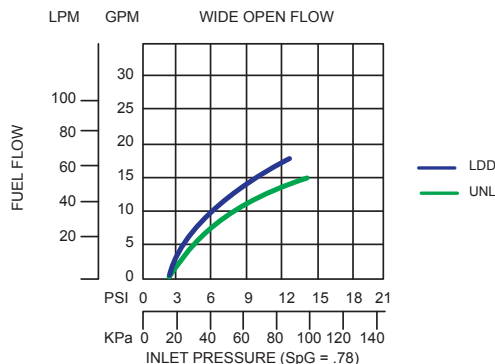
## Rebuilt Light Duty Diesel Nozzles

MODEL NO.	DESCRIPTION	SHIPPING WEIGHT LBS (KG)
503703N^	with Three Notch Hold Open Clip	3.1 (1.4)

^ NOT LISTED

## Construction

Body	One piece die cast aluminum
Seals	Fluorocarbon
Packing	Double o-ring seal protected by fiber reinforced Teflon®
Lever	One piece contoured steel with hard plastic cover
Inlet	¾" / 19 mm NPT



WARNING: Cancer and Reproductive Harm - www.P65Warnings.ca.gov

**Husky**

GENERAL FUELING PRODUCTS



# CW Rebuilt Nozzles

Automatic shut-off nozzle for full-service and self-service stations.

## Dimensions and System Options

### Safe-T-Breaks®

MODEL NO.	DESCRIPTION
003360	¾" F x ¾" F NPT Reconnectable Safe-T-Break®
002273	¾" F x ¾" F NPT Non-Reconnectable Safe-T-Break®
006130	¾" F x ¾" F NPT Non-Reconnectable PCC Safe-T-Break®
005230	¾" F x ¾" F NPT Low Pull Reconnectable Safe-T-Break®

### Swivels

MODEL NO.	DESCRIPTION
000350	¾" M x ¾" F NPT Multi-Plane Swivel
000355	¾" M x ¾" F NPT Multi-Plane Black Swivel
002272	¾" M x ¾" F NPT 90° Pump Swivel
003895	¾" M x ¾" F NPT Inline Swivel
002950	¾" M x ¾" F NPT Multi-Plane Restricted Swivel

### Swivel/Safe-T-Break® Combos

MODEL NO.	DESCRIPTION
006310	¾" M NPT Multi-Plane Swivel connected to ¾" F NPT Reconnectable Safe-T-Break®

### Spouts

MODEL NO.	DESCRIPTION
001473	Unleaded Spout without Flo-Stop®
010434	Unleaded Long Spout without Flo-Stop®
001471	Light Duty Diesel Spout without Flo-Stop® with StreamShaper®
010353	Light Duty Diesel Long Spout without Flo-Stop®

### Pressure/Vacuum Vents

MODEL NO.	DESCRIPTION
004620	2" Slip-On Pressure Vacuum Vent
004885	2" Thread-On Pressure Vacuum Vent - NPT
005885	2" Thread-On Pressure Vacuum Vent with Internal Screen - NPT

### Accessories, Testing and Maintenance

MODEL NO.	DESCRIPTION
004490	Conventional Flo-Equalizer® - 10 gpm / 37.9 Lpm
003593	Hold Open Clip Kit
007490	Internal Flo-Equalizer® - 10 gpm / 37.9 Lpm
007089	Nozzle Service Kit
000397	Unleaded Spout Gauge



### Guards

MODEL NO.	DESCRIPTION
003376	Black Handle Cover
004145	Full Grip Guard
001806	Full Grip Reguard
005494	Lever Guard
003440	Mate Easy-on Package
003795	Mate Guard
008176	POPD® EZH Nozzle Guard
008175	POPD® EZS Nozzle Guard
007999	POPD® H Clear Cover
008185	POPD® H Full Grip Guard
008192	POPD® H Full Grip Reguard
008166	POPD® H Mate Guard
006628	POPD® S Clear Cover
006665	POPD® S Full Grip Guard
007205	POPD® S Full Grip Reguard
008165	POPD® S Mate Guard
001506	Protection Package
001809	Reguard Protection Package
001808	Waffle Splash Guard



2325 Husky Way • Pacific, MO 63069  
 (800) 325-3558 • Fax (636) 825-7300  
[www.husky.com](http://www.husky.com) • [sales@husky.com](mailto:sales@husky.com)

MADE IN THE U.S.A.



# XS® Rebuilt CW Nozzles



**Pressure activated, automatic shut-off nozzle for full-service, self-service and unattended stations.**

- XS® nozzle shuts off when:
  - the pump shuts off.
  - the gas tank is full.
  - the lever is opened before the pump is turned on.
  - the leak detector has not completed the test cycle.
- A reinforced stainless steel spout bushing keeps the spout tip round and acts as a captive fastener to prevent tip-end sensor damage.
- Contains a poppet disc seal, rated at -40° F/C to prevent fuel leakage from the main seal in extreme cold weather.
- Nozzle is equipped with a unique Flo-Stop® device that shuts off the nozzle if it falls from the fill tank or raises above the horizontal.
- *StreamShaper®* reduces turbulence for straighter fuel flow and less splash back spillage.
- Comes standard with smooth full grip guard.

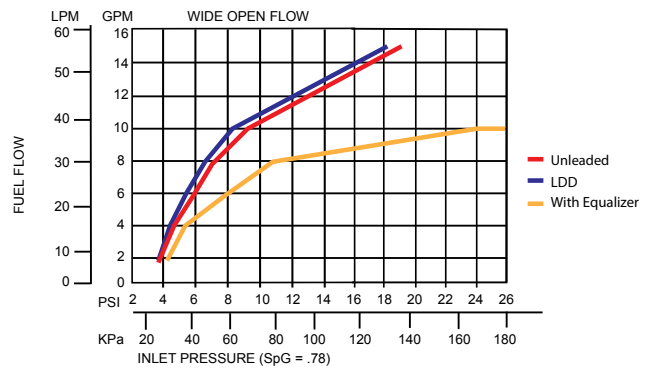


## Rebuilt Unleaded Nozzles

MODEL NO.	DESCRIPTION	SHIPPING WEIGHT LBS (KG)
503904	with Three Notch Hold Open Clip	3.1 (1.4)

## Construction

Body	One piece die cast aluminum
Seals	Fluorocarbon
Packing	Double o-ring seal protected by fiber reinforced Teflon®
Lever	One piece contoured steel with hard plastic cover
Inlet	¾" / 19 mm NPT



WARNING: Cancer and Reproductive Harm - www.P65Warnings.ca.gov



**Husky**

GENERAL FUELING PRODUCTS

**XS®****Rebuilt CW Nozzles**

**Pressure activated, automatic shut-off nozzle for full-service, self-service and unattended stations.**

## Dimensions and System Options

### Safe-T-Breaks®

MODEL NO.	DESCRIPTION
003360	¾" F x ¾" F NPT Reconnectable Safe-T-Break®
002273	¾" F x ¾" F NPT Non-Reconnectable Safe-T-Break®
006130	¾" F x ¾" F NPT Non-Reconnectable PCC Safe-T-Break®
005230	¾" F x ¾" F NPT Low Pull Reconnectable Safe-T-Break®

### Swivels

MODEL NO.	DESCRIPTION
000350	¾" M x ¾" F NPT Multi-Plane Swivel
000355	¾" M x ¾" F NPT Multi-Plane Black Swivel
002272	¾" M x ¾" F NPT 90° Pump Swivel
003895	¾" M x ¾" F NPT Inline Swivel
002950	¾" M x ¾" F NPT Multi-Plane Restricted Swivel

### Swivel/Safe-T-Break® Combos

MODEL NO.	DESCRIPTION
006310	¾" M NPT Multi-Plane Swivel connected to ¾" F NPT Reconnectable Safe-T-Break®

### Spouts

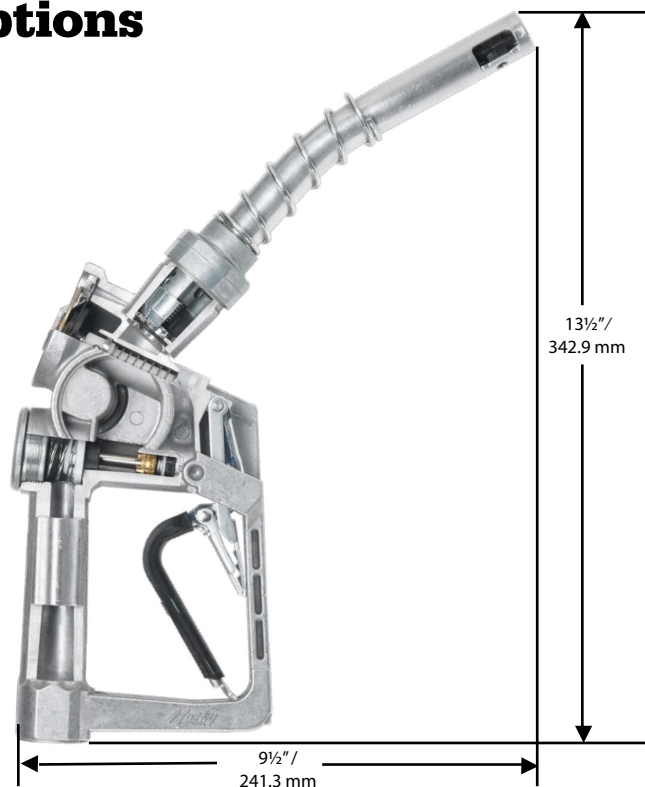
MODEL NO.	DESCRIPTION
001473	Unleaded Spout without Flo-Stop®
010434	Unleaded Long Spout without Flo-Stop®
001471	Light Duty Diesel Spout without Flo-Stop® with StreamShaper®
010353	Light Duty Diesel Long Spout without Flo-Stop®

### Pressure/Vacuum Vents

MODEL NO.	DESCRIPTION
004620	2" Slip-On Pressure Vacuum Vent
004885	2" Thread-On Pressure Vacuum Vent - NPT
005885	2" Thread-On Pressure Vacuum Vent with Internal Screen - NPT

### Accessories, Testing and Maintenance

MODEL NO.	DESCRIPTION
004490	Conventional Flo-Equalizer® - 10 gpm / 37.9 Lpm
003593	Hold Open Clip Kit
007490	Internal Flo-Equalizer® - 10 gpm / 37.9 Lpm
007089	Nozzle Service Kit
000397	Unleaded Spout Gauge



### Guards

MODEL NO.	DESCRIPTION
003376	Black Handle Cover
004145	Full Grip Guard
001806	Full Grip Reguard
005494	Lever Guard
003440	Mate Easy-on Package
003795	Mate Guard
008176	POPD® EZH Nozzle Guard
008176	POPD® EZS Nozzle Guard
007999	POPD® H Clear Cover
008185	POPD® H Full Grip Guard
008192	POPD® H Full Grip Reguard
008166	POPD® H Mate Guard
006628	POPD® S Clear Cover
006665	POPD® S Full Grip Guard
007205	POPD® S Full Grip Reguard
008165	POPD® S Mate Guard
001506	Protection Package
001809	Reguard Protection Package
001808	Waffle Splash Guard



2325 Husky Way • Pacific, MO 63069  
 (800) 325-3558 • Fax (636) 825-7300  
[www.husky.com](http://www.husky.com) • [sales@husky.com](mailto:sales@husky.com)

MADE IN THE U.S.A.



# X EZ Lever PHG Nozzles



Automatic shut-off nozzle for full-service and self-service stations.

- X nozzle shuts off when:
  - the gas tank is full.
- Stainless steel spout bushing keeps spout tip round and acts as a captive fastener to prevent tip-end sensor damage.
- Nozzle is equipped with a unique Flo-Stop® device that shuts off the nozzle if it falls from the fill tank or raises above the horizontal.
- *StreamShaper*® reduces turbulence for straighter fuel flow and less splash back spillage.
- Comes standard with smooth full grip guard.
- 2-piece lever is easier to use:
  - requires ½ the force to open nozzle.
  - ADA compliant.



## New Unleaded Nozzles

MODEL NO.	DESCRIPTION	SHIPPING WEIGHT LBS (KG)
1163404N	with Two Notch Hold Open Clip	3.0 (1.4)
116342535	without Hold Open Clip, with POPD® S and Waffle Splash Guard	3.0 (1.4)
13458119N^	with Two Notch Hold Open Clip and POPD® H	3.0 (1.4)
13458214N^	with Two Notch Hold Open Clip, Long Spout and Excessive Heat Resistance	3.0 (1.4)
1163466	without Hold Open Clip, with Waffle Splash Guard	3.0 (1.4)
11634124	without Hold Open Clip, with POPD® H and Waffle Splash Guard	3.0 (1.4)

^ NOT LISTED

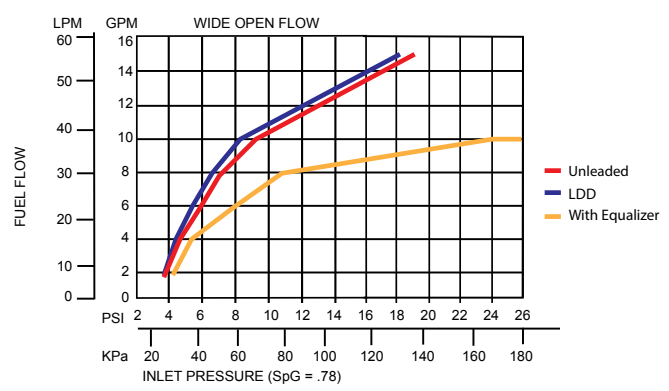
## New Light Duty Diesel Nozzles

MODEL NO.	DESCRIPTION	SHIPPING WEIGHT LBS (KG)
1163403N	with Two Notch Hold Open Clip	3.1 (1.4)
13458205N^	with Two Notch Hold Open Clip and POPD® H	3.1 (1.4)
13458215N^	with Two Notch Hold Open Clip, Long Spout and Excessive Heat Resistance	3.1 (1.4)
1163467	without Hold Open Clip, with Waffle Splash Guard	3.1 (1.4)
11634120	without Hold Open Clip, with POPD® H and Waffle Splash Guard	3.1 (1.4)

^ NOT LISTED

## Construction

Body	Die cast aluminum with polymer handguard
Seals	Fluorocarbon
Packing	Double o-ring seal protected by fiber reinforced Teflon®
Lever	Two-piece polymer
Inlet	¾" / 19 mm NPT



WARNING: Cancer and Reproductive Harm - www.P65Warnings.ca.gov

**Husky**

GENERAL FUELING PRODUCTS

**X EZ Lever PHG Nozzles****Automatic shut-off nozzle for full-service and self-service stations.****Dimensions and System Options****Safe-T-Breaks®**

MODEL NO.	DESCRIPTION
003360	¾" F x ¾" F NPT Reconnectable Safe-T-Break®
002273	¾" F x ¾" F NPT Non-Reconnectable Safe-T-Break®
006130	¾" F x ¾" F NPT Non-Reconnectable PCC Safe-T-Break®
005230	¾" F x ¾" F NPT Low Pull Reconnectable Safe-T-Break®

**Swivels**

MODEL NO.	DESCRIPTION
000350	¾" M x ¾" F NPT Multi-Plane Swivel
000355	¾" M x ¾" F NPT Multi-Plane Swivel Anodized Black
002272	¾" M x ¾" F NPT 90° Pump Swivel
003895	¾" M x ¾" F NPT Inline Swivel
002950	¾" M x ¾" F NPT Multi-Plane Restricted Swivel

**Swivel/Safe-T-Break® Combos**

MODEL NO.	DESCRIPTION
006310	¾" M NPT Multi-Plane Swivel connected to ¾" F NPT Reconnectable Safe-T-Break®

**Spouts**

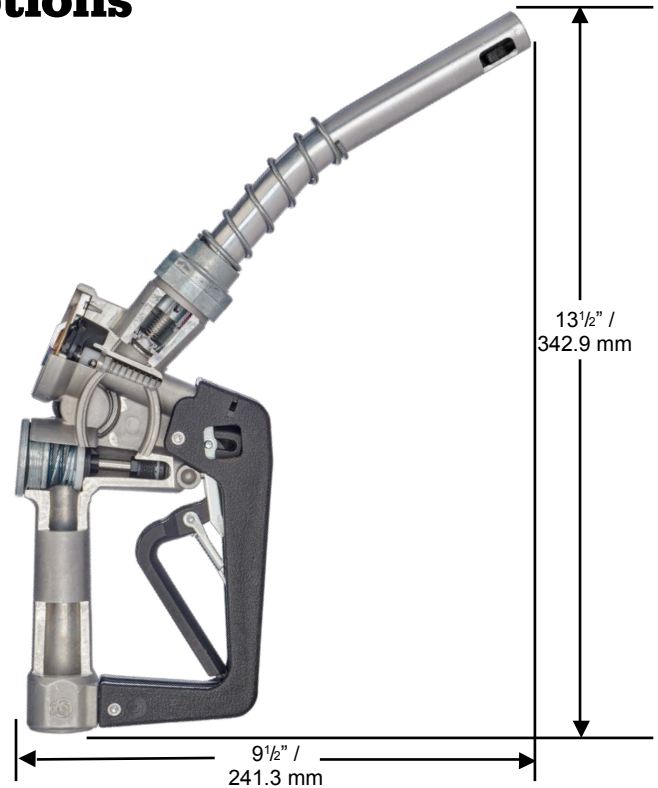
MODEL NO.	DESCRIPTION
001473	Unleaded Spout without Flo-Stop®
010434	Unleaded Long Spout without Flo-Stop®
001471	Light Duty Diesel Spout without Flo-Stop® with StreamShaper®
010353	Light Duty Diesel Long Spout without Flo-Stop®

**Pressure/Vacuum Vents**

MODEL NO.	DESCRIPTION
004620	2" Slip-On Pressure Vacuum Vent
004885	2" Thread-On Pressure Vacuum Vent - NPT
005885	2" Thread-On Pressure Vacuum Vent with Internal Screen - NPT

**Accessories, Testing and Maintenance**

MODEL NO.	DESCRIPTION
004490	Conventional Flo-Equalizer® - 10 gpm / 37.9 Lpm
003593	Hold Open Clip Kit
007490	Internal Flo-Equalizer® - 10 gpm / 37.9 Lpm
007089	Nozzle Service Kit
000397	Unleaded Spout Gauge

**Guards**

MODEL NO.	DESCRIPTION
003376	Black Handle Guard
004145	Full Grip Guard
001806	Full Grip Reguard
005494	Lever Guard
003440	Mate Easy-On Package
003795	Mate Guard
008175	POPD® EZS Nozzle Guard
008176	POPD® EZH Nozzle Guard
007999	POPD® H Clear Cover
008185	POPD® H Full Grip Guard
008192	POPD® H Full Grip Reguard
008166	POPD® H Mate Guard
006628	POPD® S Clear Cover
006665	POPD® S Full Grip Guard
007205	POPD® S Full Grip Reguard
008165	POPD® S Mate Guard
001506	Protection Package
001809	Reguard Protection Package
001808	Waffle Splash Guard



2325 Husky Way • Pacific, MO 63069  
 (800) 325-3558 • Fax (636) 825-7300  
[www.husky.com](http://www.husky.com) • [sales@husky.com](mailto:sales@husky.com)

MADE IN THE U.S.A.



**Pressure activated, automatic shut-off nozzle for full-service and self-service stations.**

- XS<sup>®</sup> nozzle shuts off when:
  - the pump shuts off.
  - the gas tank is full.
  - the lever is opened before the pump is turned on.
  - the leak detector has not completed the test cycle.
- *StreamShaper*<sup>®</sup> reduces turbulence for straighter fuel flow and less splash back spillage.
- Comes standard with smooth full grip guard.
- Stainless steel spout bushing keeps spout tip round and acts as a captive fastener to prevent tip-end sensor damage.
- Nozzle is equipped with a unique Flo-Stop<sup>®</sup> device that shuts off the nozzle if it falls from the fill tank or raises above the horizontal.



**New Unleaded Nozzles**

MODEL	DESCRIPTION	SHIPPING WEIGHT LBS (KG)
1219304	with Three Notch Hold Open Clip	3.0 (1.3)
1219304N <sup>^</sup>	with Three Notch Hold Open Clip	3.0 (1.3)
1219359	with Three Notch Hold Open Clip and Waffle Splash Guard	3.0 (1.3)
1219395	with Three Notch Hold Open Clip, POPD <sup>®</sup> S and Waffle Splash Guard	3.0 (1.3)
E1219359	with Three Notch Hold Open Clip, Waffle Splash Guard and Mate Guard	3.0 (1.3)
1595220	with One Notch Hold Open Clip, Waffle Splash Guard, and Drip Less Spout	3.0 (1.3)

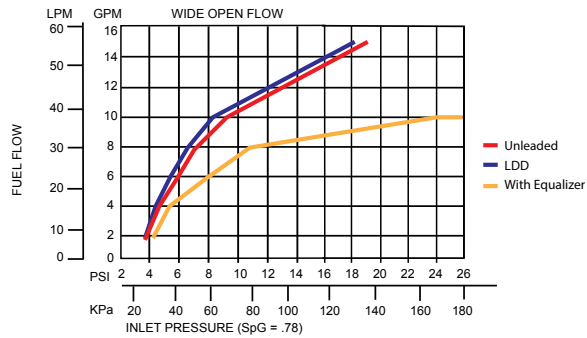
<sup>^</sup> NOT LISTED

**New Light Duty Diesel Nozzles**

MODEL	DESCRIPTION	SHIPPING WEIGHT LBS (KG)
1219303	with Three Notch Hold Open Clip	3.1 (1.4)
1219361	with Three Notch Hold Open Clip and Waffle Splash Guard	3.1 (1.4)
1219396	with Three Notch Hold Open Clip, POPD <sup>®</sup> S and Waffle Splash Guard	3.0 (1.3)
E1219361	with Three Notch Hold Open Clip, Waffle Splash Guard and Mate Guard	3.0 (1.3)

**Construction**

Body	Die cast aluminum with polymer handguard
Seals	Fluorocarbon
Packing	Double o-ring seal protected by fiber reinforced Teflon <sup>®</sup>
Lever	Polymer lever, one piece
Inlet	3/4" / 19.1 mm NPT



**!** WARNING: Cancer and Reproductive Harm - [www.P65Warnings.ca.gov](http://www.P65Warnings.ca.gov)

**Husky**

GENERAL FUELING PRODUCTS

**XS<sup>®</sup>****PHG Nozzles****Pressure activated, automatic shut-off nozzle for full-service and self-service stations.**

## Dimensions and System Options

### Safe-T-Breaks<sup>®</sup>

MODEL NO.	DESCRIPTION
003360	3/4" F x 3/4" F NPT Reconnectable Safe-T-Break <sup>®</sup>
002273	3/4" F x 3/4" F NPT Non-Reconnectable Safe-T-Break <sup>®</sup>
006130	3/4" F x 3/4" F NPT Non-Reconnectable PCC Safe-T-Break <sup>®</sup>
005230	3/4" F x 3/4" F NPT Low Pull Reconnectable Safe-T-Break <sup>®</sup>

### Swivels

MODEL NO.	DESCRIPTION
000350	3/4" M x 3/4" F NPT Multi-Plane Swivel
000355	3/4" M x 3/4" F NPT Multi-Plane Swivel Anodized Black
002272	3/4" M x 3/4" F NPT 90° Pump Swivel
003895	3/4" M x 3/4" F NPT Inline Swivel
002950	3/4" M x 3/4" F NPT Multi-Plane Restricted Swivel

### Swivel/Safe-T-Break<sup>®</sup> Combos

MODEL NO.	DESCRIPTION
006310	3/4" M NPT Multi-Plane Swivel connected to 3/4" F NPT Reconnectable Safe-T-Break <sup>®</sup>

### Spouts

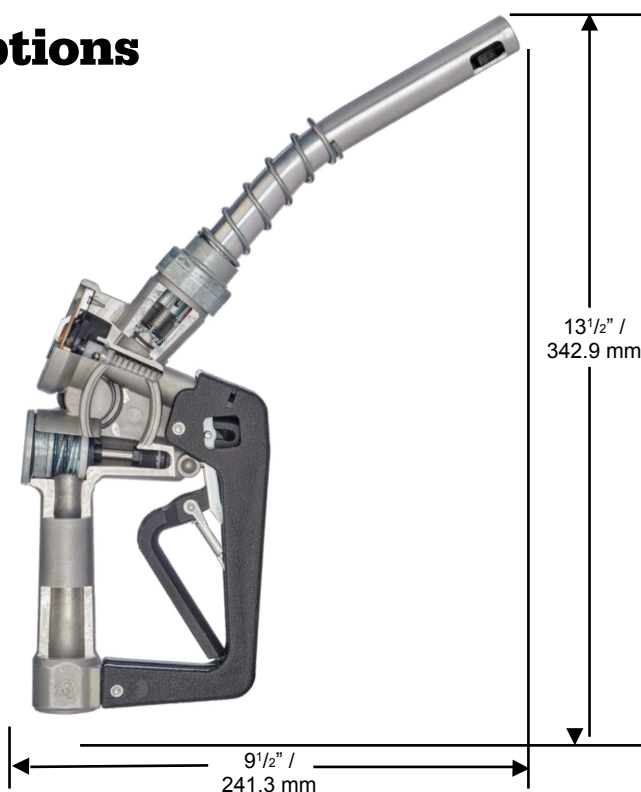
MODEL NO.	DESCRIPTION
001473	Unleaded Spout without Flo-Stop <sup>®</sup>
010434	Unleaded Long Spout without Flo-Stop <sup>®</sup>
001471	Light Duty Diesel Spout without Flo-Stop <sup>®</sup> with StreamShaper <sup>®</sup>
010353	Light Duty Diesel Long Spout without Flo-Stop <sup>®</sup>

### Pressure/Vacuum Vents

MODEL NO.	DESCRIPTION
004620	2" Slip-On Pressure Vacuum Vent
004885	2" Thread-On Pressure Vacuum Vent - NPT
005885	2" Thread-On Pressure Vacuum Vent with Internal Screen - NPT

### Accessories, Testing and Maintenance

MODEL NO.	DESCRIPTION
004490	Conventional Flo-Equalizer <sup>®</sup> - 10 gpm / 37.9 Lpm
003593	Hold Open Clip Kit
007490	Internal Flo-Equalizer <sup>®</sup> - 10 gpm / 37.9 Lpm
007089	Nozzle Service Kit
000397	Unleaded Spout Gauge



### Guards

MODEL NO.	DESCRIPTION
003376	Black Handle Guard
004145	Full Grip Guard
001806	Full Grip Reguard
005494	Lever Guard
003440	Mate Easy-on Package
003795	Mate Guard
008176	POPD <sup>®</sup> EZH Nozzle Guard
008175	POPD <sup>®</sup> EZS Nozzle Guard
007999	POPD <sup>®</sup> H Clear Cover
008185	POPD <sup>®</sup> H Full Grip Guard
008192	POPD <sup>®</sup> H Full Grip Reguard
008166	POPD <sup>®</sup> H Mate Guard
006628	POPD <sup>®</sup> S Clear Cover
006665	POPD <sup>®</sup> S Full Grip Guard
007205	POPD <sup>®</sup> S Full Grip Reguard
008165	POPD <sup>®</sup> S Mate Guard
001506	Protection Package
001809	Reguard Protection Package
001808	Waffle Splash Guard



2325 Husky Way • Pacific, MO 63069  
 (800) 325-3558 • Fax (636) 825-7300  
[www.husky.com](http://www.husky.com) • [sales@husky.com](mailto:sales@husky.com)

MADE IN THE U.S.A.





## Pressure activated, automatic shut-off nozzle for full-service and self-service stations.

- XS<sup>®</sup> nozzle shuts off when:
  - the pump shuts off.
  - the gas tank is full.
  - the lever is opened before the pump is turned on.
  - the leak detector has not completed the test cycle.
- Stainless steel spout bushing keeps spout tip round and acts as a captive fastener to prevent tip-end sensor damage.
- Nozzle is equipped with a unique Flo-Stop<sup>®</sup> device that shuts off the nozzle if it falls from the fill tank or raises above the horizontal.
- *StreamShaper*<sup>®</sup> reduces turbulence for straighter fuel flow and less splash back spillage.
- Comes standard with smooth full grip guard.
- 2-piece lever is easier to use:
  - requires ½ the force to open nozzle.
  - ADA compliant.



### New Unleaded Nozzles

MODEL	DESCRIPTION	SHIPPING WEIGHT LBS (KG)
1163504	with Two Notch Hold Open Clip	3.1 (1.4)
1163508	without Hold Open Clip	3.1 (1.4)
1163504N <sup>^</sup>	with Two Notch Hold Open Clip	3.1 (1.4)
1163544	with Two Notch Hold Open Clip, Waffle Splash Guard and Flo-Equalizer <sup>®</sup>	3.1 (1.4)
1163544N <sup>^</sup>	with Two Notch Hold Open Clip and Flo-Equalizer <sup>®</sup>	3.1 (1.4)
1163559	with Two Notch Hold Open Clip and Waffle Splash Guard	3.1 (1.4)
1163566	without Hold Open Clip, with Waffle Splash Guard	3.1 (1.4)
1163582	with Two Notch Hold Open Clip, Waffle Splash Guard and Drip Less Spout	3.1 (1.4)
1163595	with Two Notch Hold Open Clip, POPD <sup>®</sup> S and Waffle Splash Guard	3.1 (1.4)
11635108	without Hold Open Clip, with POPD <sup>®</sup> S and Waffle Splash Guard	3.1 (1.4)
11635126	without Hold Open Clip, with POPD <sup>®</sup> S Full Grip Guard	3.1 (1.4)
11635146	with Two Notch Hold Open Clip, POPD <sup>®</sup> H and Waffle Splash Guard	3.1 (1.4)
11635214N <sup>^</sup>	with Two Notch Hold Open Clip and Long Spout	3.1 (1.4)
E1163504	with Two Notch Hold Open Clip and Mate Guard	3.1 (1.4)
E1163504N <sup>^</sup>	with Two Notch Hold Open Clip and Mate Guard	3.1 (1.4)
E1163508	without Hold Open Clip, with Mate Guard	3.1 (1.4)
E1163543	with Single Notch Hold Open Clip, Waffle Splash Guard and Mate Guard	3.1 (1.4)
E1163559	with Two Notch Hold Open Clip, Waffle Splash Guard and Mate Guard	3.1 (1.4)
E1163566	without Hold Open Clip, with Waffle Splash Guard and Mate Guard	3.1 (1.4)
E1163582	with Two Notch Hold Open Clip, Waffle Splash Guard, Drip Less Spout and Mate Guard	3.1 (1.4)
E11635246	without Hold Open Clip, Waffle Splash Guard, Drip Less Spout and Mate Guard	3.1 (1.4)

<sup>^</sup>NOT LISTED

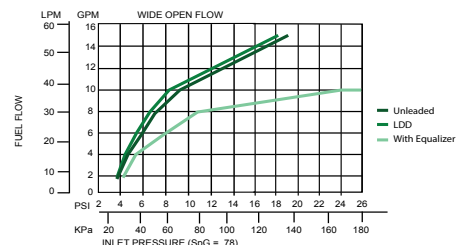
### New Light Duty Diesel Nozzles

MODEL	DESCRIPTION	SHIPPING WEIGHT LBS (KG)
1163503	with Two Notch Hold Open Clip	3.1 (1.4)
1163503N <sup>^</sup>	with Two Notch Hold Open Clip	3.1 (1.4)
1163507	without Hold Open Clip	3.1 (1.4)
1163553N <sup>^</sup>	with Two Notch Hold Open Clip and Flo-Equalizer <sup>®</sup>	3.1 (1.4)
1163561	with Two Notch Hold Open Clip and Waffle Splash Guard	3.1 (1.4)
1163567	without Hold Open Clip, with Waffle Splash Guard	3.1 (1.4)
1163596	with Two Notch Hold Open Clip, POPD <sup>®</sup> S and Waffle Splash Guard	3.1 (1.4)
11635109	without Hold Open Clip, with POPD <sup>®</sup> S and Waffle Splash Guard	3.1 (1.4)
11635211	with Two Notch Hold Open Clip, Waffle Splash Guard and Drip Less Spout	3.1 (1.4)
11635270	without Hold Open Clip, with POPD <sup>®</sup> S Full Grip Guard	3.1 (1.4)
11635215N <sup>^</sup>	with Two Notch Hold Open Clip and Long Spout	3.1 (1.4)
E1163503	with Two Notch Hold Open Clip and Mate Guard	3.1 (1.4)
E1163507	without Hold Open Clip, with Mate Guard	3.1 (1.4)
E1163597	with Single Notch Hold Open Clip, Waffle Splash Guard and Mate Guard	3.1 (1.4)
E1163561	with Two Notch Hold Open Clip, Waffle Splash Guard and Mate Guard	3.1 (1.4)
E1163567	without Hold Open Clip, with Waffle Splash Guard and Mate Guard	3.1 (1.4)
E11635211	with Two Notch Hold Open Clip, Waffle Splash Guard, Drip Less Spout and Mate Guard	3.1 (1.4)
E11635247	with Hold Open Clip, Waffle Splash Guard, Drip Less Spout and Mate Guard	3.1 (1.4)

<sup>^</sup>NOT LISTED

### CONSTRUCTION

Body	Die cast aluminum with polymer handguard
Seals	Fluorocarbon
Packing	Double o-ring seal protected by fiber reinforced Teflon <sup>®</sup>
Lever	Polymer lever
Inlet	3/4" / 19 mm NPT



**WARNING:** Cancer and Reproductive Harm - www.P65Warnings.ca.gov



**Husky**

GENERAL FUELING PRODUCTS

**XS®****EZ Lever PHG Nozzles**

Pressure activated, automatic shut-off nozzle for full-service and self-service stations.

## Dimensions and System Options

### Safe-T-Breaks®

MODEL NO.	DESCRIPTION
003360	¾" F x ¾" F NPT Reconnectable Safe-T-Break®
002273	¾" F x ¾" F NPT Non-Reconnectable Safe-T-Break®
006130	¾" F x ¾" F NPT Non-Reconnectable PCC Safe-T-Break®
005230	¾" F x ¾" F NPT Low Pull Reconnectable Safe-T-Break®

### Swivels

MODEL NO.	DESCRIPTION
000350	¾" M x ¾" F NPT Multi-Plane Swivel
000355	¾" M x ¾" F NPT Multi-Plane Swivel Anodized Black
002272	¾" M x ¾" F NPT 90° Pump Swivel
003895	¾" M x ¾" F NPT Inline Swivel
002950	¾" M x ¾" F NPT Multi-Plane Restricted Swivel

### Swivel/Safe-T-Break® Combos

MODEL NO.	DESCRIPTION
006310	¾" M NPT Multi-Plane Swivel connected to ¾" F NPT Reconnectable Safe-T-Break®

### Spouts

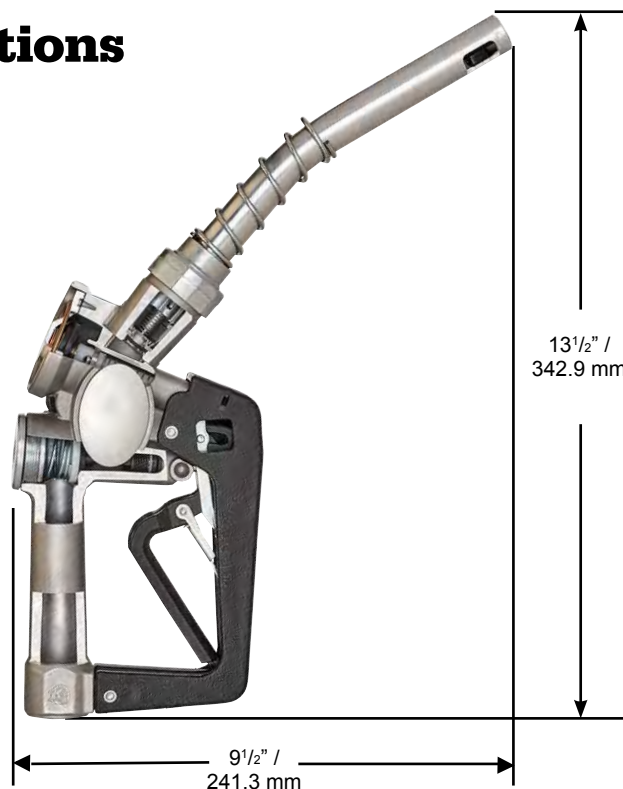
MODEL NO.	DESCRIPTION
001473	Unleaded Spout without Flo-Stop®
010434	Unleaded Long Spout without Flo-Stop®
001471	Light Duty Diesel Spout without Flo-Stop® with StreamShaper®
010353	Light Duty Diesel Long Spout without Flo-Stop®

### Pressure/Vacuum Vents

MODEL NO.	DESCRIPTION
004620	2" Slip-On Pressure Vacuum Vent
004885	2" Thread-On Pressure Vacuum Vent - NPT
005885	2" Thread-On Pressure Vacuum Vent with Internal Screen - NPT

### Accessories, Testing and Maintenance

MODEL NO.	DESCRIPTION
004490	Conventional Flo-Equalizer® - 10 gpm / 37.9 Lpm
003593	Hold Open Clip Kit
007490	Internal Flo-Equalizer® - 10 gpm / 37.9 Lpm
007089	Nozzle Service Kit
000397	Unleaded Spout Gauge



### Guards

MODEL NO.	DESCRIPTION
003376	Black Handle Guard
004145	Full Grip Guard
001806	Full Grip Reguard
005494	Lever Guard
003440	Mate Easy-on Package
003795	Mate Guard
008176	POPD® EZH Nozzle Guard
008175	POPD® EZS Nozzle Guard
007999	POPD® H Clear Cover
008185	POPD® H Full Grip Guard
008192	POPD® H Full Grip Reguard
008166	POPD® H Mate Guard
006628	POPD® S Clear Cover
006665	POPD® S Full Grip Guard
007205	POPD® S Full Grip Reguard
008165	POPD® S Mate Guard
001506	Protection Package
001809	Reguard Protection Package
001808	Waffle Splash Guard



2325 Husky Way • Pacific, MO 63069  
 (800) 325-3558 • Fax (636) 825-7300  
[www.husky.com](http://www.husky.com) • [sales@husky.com](mailto:sales@husky.com)

MADE IN THE U.S.A.



# Enhanced Conventional (ECO) Nozzles



**Automatic shut-off conventional nozzle equipped with a mechanical interlock that shuts off the nozzle if it falls from the fill tank.**

- Unique internal interlock device that shuts off the fuel flow before the spout is out of the tank.
- Lightest insertion “force” of any safety interlock operated nozzle.
- Comes standard with smooth full grip guard.
- CARB compliant for drips, spills, spitting and liquid retention.
- 2-piece lever is easier to use:
  - requires ½ the force to open nozzle.
  - ADA compliant.
- Unique tilt poppet maximizes “to-the-penny” dispensing.
- Cold weather version contains a poppet disc seal rated to -40° F/C to prevent fuel leakage from the main seal in extreme cold
- A reinforced stainless steel spout bushing keeps spout tip round and acts as a captive fastener to prevent tip-end sensor damage.
- Drip Less spout reduces/eliminates drips from spout.
- *StreamShaper*® reduces turbulence for straighter fuel flow and less splash back spillage.



## New Unleaded Nozzles

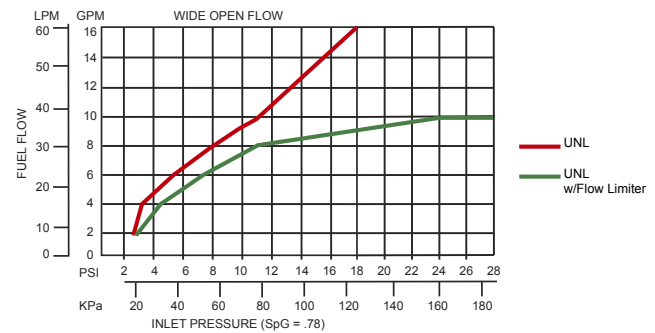
MODEL NO.	DESCRIPTION	SHIPPING WEIGHT LBS (KG)
1190404	with Two Notch Hold Open Clip, EZ Lever and Drip Less Spout	2.8 (1.3)
1190408	without Hold Open Clip, with EZ Lever and Drip Less Spout	2.8 (1.3)
11904180	with Two Notch Hold Open Clip, EZ Lever, Drip Less Spout and Flo-Equalizer®	2.8 (1.3)

## New Cold Weather Unleaded Nozzles

MODEL NO.	DESCRIPTION	SHIPPING WEIGHT LBS (KG)
1474504	with Two Notch Hold Open Clip, EZ Lever and Drip Less Spout	2.8 (1.3)

## Construction

Body	One piece die cast aluminum
Seals	Fluorocarbon
Packing	Double o-ring seal protected by fiber reinforced Teflon®
Lever	Two piece high impact polymer
Inlet	¾" / 19.1 mm NPT



WARNING: Cancer and Reproductive Harm - www.P65Warnings.ca.gov



# Enhanced Conventional (ECO) Nozzles

Automatic shut-off conventional nozzle equipped with a mechanical interlock that shuts off the nozzle if it falls from the fill tank.

## Dimensions and System Options

### Safe-T-Breaks®

MODEL NO.	DESCRIPTION
002273	¾" F x ¾" F NPT Non-Reconnectable Safe-T-Break®
003360	¾" F x ¾" F NPT Reconnectable Safe-T-Break®
005230	¾" F x ¾" F NPT Low Pull Reconnectable
006130	¾" F x ¾" F NPT Non-Reconnectable PCC Safe-T-Break®
008330	¾" F x ¾" F NPT Reconnectable MagBreak®

### Swivels

MODEL NO.	DESCRIPTION
000350	¾" M x ¾" F NPT Multi-Plane Swivel
000355	¾" M x ¾" F NPT Multi-Plane Swivel Anodized Black
002272	¾" M x ¾" F NPT 90° Pump Swivel
002950	¾" M x ¾" F NPT Multi-Plane Restricted Swivel

### Swivel/Safe-T-Break® Combos

MODEL NO.	DESCRIPTION
006310	¾" M NPT Multi-Plane Swivel connected to ¾" F NPT Reconnectable Safe-T-Break®

### Spouts

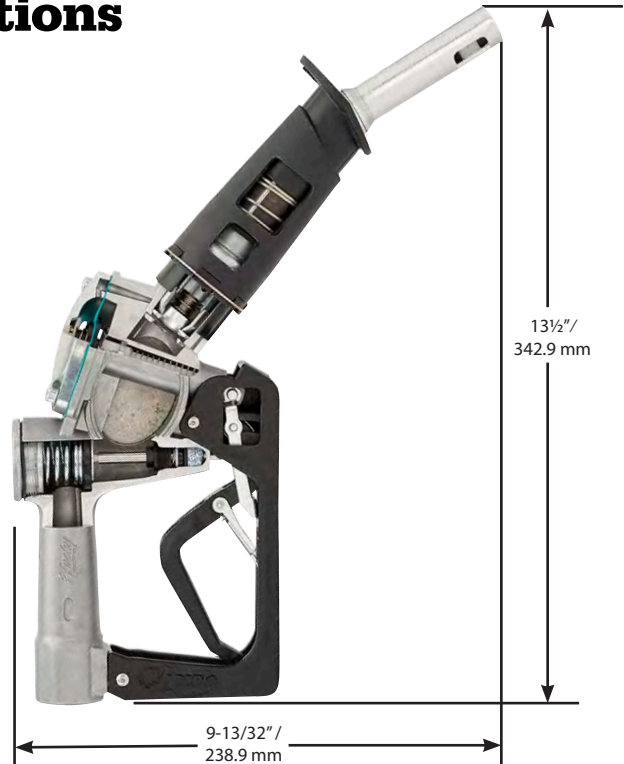
MODEL NO.	DESCRIPTION
013664	Unleaded ECO Spout Assembly Kit

### Pressure/Vacuum Vents

MODEL NO.	DESCRIPTION
004620	2" Slip-On Pressure Vacuum Vent
004885	2" Thread-On Pressure Vacuum Vent - NPT
005885	2" Thread-On Pressure Vacuum Vent with Internal Screen - NPT
005041	3" Thread to 2" Adaptor - NPT

### Guards

MODEL NO.	DESCRIPTION
014034	Full Grip Nozzle Guard



### Accessories, Testing and Maintenance

MODEL NO.	DESCRIPTION
004490	Conventional Flo-Equalizer® - 10 gpm / 37.9 Lpm
003593	Hold Open Clip Kit
007490	Internal Flo-Equalizer® - 10 gpm / 37.9 Lpm
000397	Unleaded Spout Gauge

### Low Perm Hoses

MODEL NO.	DESCRIPTION
CP12LP8.5	¾" Low Perm Hardwall 8.5' Assembly Hose
CP12LP8.5SV	¾" Low Perm Hardwall 8.5' Assembly Hose Swivel
CP12LP9	¾" Low Perm Hardwall 9' Assembly Hose
CP12LP9SV	¾" Low Perm Hardwall 9' Assembly Hose Swivel
CP12LP.75	¾" Low Perm Hardwall 9" Assembly Hose
CP12LP.75SV	¾" Low Perm Hardwall 9" Swivel Assembly Hose



2325 Husky Way • Pacific, MO 63069  
(800) 325-3558 • Fax (636) 825-7300  
[www.husky.com](http://www.husky.com) • [sales@husky.com](mailto:sales@husky.com)

MADE IN THE U.S.A. 

# 1AS Nozzles



**Pressure activated, automatic shut-off nozzle with polymer handguard for full-service and self-service stations.**

- 1AS nozzle shuts off when:
  - the pump shuts off.
  - the gas tank is full.
  - the lever is opened before the pump is turned on.
  - the leak detector has not completed the test cycle.
- Stainless steel reinforced spout bushing keeps spout tip round and acts as a captive fastener to prevent tip-end sensor damage.
- Nozzle is equipped with a unique Flo-Stop® device that shuts off the nozzle if it falls from the fill tank or raises above the horizontal.
- StreamShaper® reduces turbulence for straighter fuel flow and less splash back spillage.
- Comes standard with smooth full grip guard.



## New Unleaded Nozzles with NPT

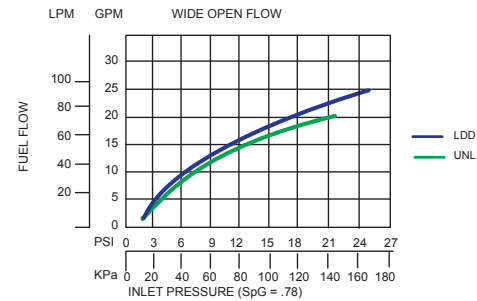
MODEL	DESCRIPTION	SHIPPING WEIGHT LBS (KG)
1215904	with Three Notch Hold Open Clip	3.3 (1.4)
12159209	with Three Notch Hold Open Clip and Reducer Bushing	3.3 (1.4)

## New Light Duty Diesel Nozzles with NPT

MODEL	DESCRIPTION	SHIPPING WEIGHT LBS (KG)
1215903	with Three Notch Hold Open Clip	3.4 (1.5)
1215961	with Three Notch Hold Open Clip and Waffle Splash Guard	3.4 (1.5)
12159208	with Three Notch Hold Open Clip and Reducer Bushing	3.4 (1.5)
12159208	with Three Notch Hold Open Clip, Waffle Splash Guard and Drip Less Spout	3.4 (1.5)
E1215903	with Three Notch Hold Open Clip and Mate Guard	3.4 (1.5)

## Construction

Body	Die cast aluminum body with high impact polymer hand guard
Seals	Fluorocarbon
Packing	Double o-ring seal protected by fiber reinforced Teflon®
Lever	One piece contoured steel with hard plastic cover
Inlet	1" / 25.4 mm NPT and BSPP



WARNING: Cancer and Reproductive Harm - www.P65Warnings.ca.gov



# 1AS Nozzles

Pressure activated, automatic shut-off nozzle with polymer handguard for full-service and self-service stations.

## Dimensions and System Options

### Safe-T-Breaks®

MODEL NO.	DESCRIPTION
002276	1" F x 1" F NPT Reconnectable Safe-T-Break®
005812	1" F x 1" F NPT Non-Reconnectable Safe-T-Break®
006301	1" F x 1" F NPT Non-Reconnectable PCC Safe-T-Break®
005231	1" F x 1" F NPT Low Pull Reconnectable Safe-T-Break®
003076	1" F x 1" F BSPP Reconnectable Safe-T-Break®
003076A	1" F x 1" F BSPP Reconnectable Safe-T-Break® - Atex
006914	1" F x 1" F BSPP Non-Reconnectable Safe-T-Break®

### Swivels

MODEL NO.	DESCRIPTION
000087	1" M x 1" F NPT Multi-Plane Swivel
004860	1" M x 1" F NPT Multi-Plane High Flow Swivel
000095	1" M x 1" F NPT 70° Pump Swivel
003395	1" M x 1" F NPT Multi-Plane Restricted Swivel
000352	1" M x 3/4" F NPT Multi-Plane Swivel
000356	1" M x 3/4" F NPT Multi-Plane Swivel Anodized Black
003306	1" M x 1" F BSPP Multi-Plane Swivel
003306A	1" M x 1" F BSPP Multi-Plane Swivel - Atex
006949	1" M x 1" F BSPP Multi-Plane High Flow Swivel

### Swivel/Safe-T-Break® Combos

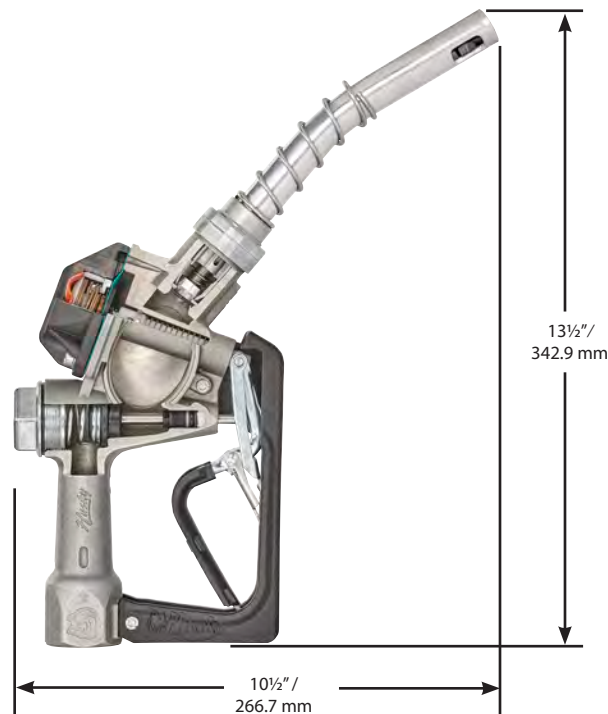
MODEL NO.	DESCRIPTION
005969	1" M NPT Multi-Plane Swivel connected to 1" F NPT Reconnectable Safe-T-Break®
008015	1" M BSPP Multi-Plane Swivel connected to 1" F BSPP Reconnectable Safe-T-Break®
008015A	1" M BSPP Multi-Plane Swivel connected to 1" F BSPP Reconnectable Safe-T-Break® - Atex

### Spouts

MODEL NO.	DESCRIPTION
001473	Unleaded Spout without Flo-Stop®
010434	Unleaded Long Spout without Flo-Stop®
001471	Light Duty Diesel Spout without Flo-Stop® with StreamShaper®
010353	Light Duty Diesel Long Spout without Flo-Stop®

### Accessories, Testing and Maintenance

MODEL NO.	DESCRIPTION
007089	Nozzle Service Kit
003593	Hold Open Clip Kit
000397	Unleaded Spout Gauge
000385	1" M x 3/4" F Reducer Bushing



### Pressure/Vacuum Vents

MODEL NO.	DESCRIPTION
004620	2" Slip-On Pressure Vacuum Vent
004885	2" Thread-On Pressure Vacuum Vent - NPT
005885	2" Thread-On Pressure Vacuum Vent with Interl Screen - NPT

### Guards

MODEL NO.	DESCRIPTION
000554	Full Grip Guard
001804	Full Grip Reguard
005494	Lever Guard
007295	Mate Handle Guard
000226	Mate Nozzle Guard
006628	POPD® Clear Cover
006655	POPD® Full Grip Nozzle Guard
007210	POPD® Full Grip Nozzle Reguard
008180	POPD® EZH Nozzle Guard
008179	POPD® EZS Nozzle Guard
007999	POPD® H Clear Cover
008170	POPD® H Mate Nozzle Guard
008183	POPD® H Full Grip Guard
008190	POPD® H Full Grip Reguard
008169	POPD® S Mate Nozzle Guard
000099	Protection Package
001811	Reguard Protection Package
001808	Waffle Splash Guard



2325 Husky Way • Pacific, MO 63069  
 (800) 325-3558 • Fax (636) 825-7300  
[www.husky.com](http://www.husky.com) • [sales@husky.com](mailto:sales@husky.com)

MADE IN THE U.S.A.

# 1AS Nozzles



**Pressure activated, automatic shut-off nozzle with metal handguard for full-service and self-service stations.**

- 1AS nozzle shuts off when:
  - the pump shuts off.
  - the gas tank is full.
  - the lever is opened before the pump is turned on.
  - the leak detector has not completed the test cycle.
- Stainless steel reinforced spout bushing keeps the spout tip round and acts as a captive fastener to prevent tip-end sensor damage.
- Nozzle is equipped with a unique Flo-Stop® device that shuts off the nozzle if it falls from the fill tank or raises above the horizontal.
- StreamShaper® reduces turbulence for straighter fuel flow and less splash back spillage.
- Comes standard with smooth full grip guard.



## New Unleaded Nozzles with NPT

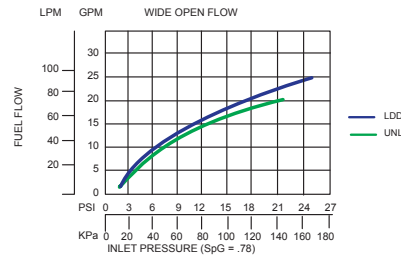
MODEL NO.	DESCRIPTION	SHIPPING WEIGHT LBS (KG)
1216204	with Three Notch Hold Open Clip	3.3 (1.4)
1216239	with Single Notch Hold Open Clip	3.3 (1.4)

## New Light Duty Diesel Nozzles with NPT

MODEL NO.	DESCRIPTION	SHIPPING WEIGHT LBS (KG)
1216203	with Three Notch Hold Open Clip	3.4 (1.5)
1216238	with Single Notch Hold Open Clip	3.4 (1.5)

## Construction

Body	Die cast aluminum body with metal hand guard
Seals	Fluorocarbon
Packing	Double o-ring seal protected by fiber reinforced Teflon®
Lever	One piece contoured steel with hard plastic cover
Inlet	1" / 25.4 mm NPT and BSPP



WARNING: Cancer and Reproductive Harm - www.P65Warnings.ca.gov





# 1AS Nozzles

Pressure activated, automatic shut-off nozzle with metal handguard for full-service and self-service stations.

## Dimensions and System Options

### Safe-T-Breaks®

MODEL NO.	DESCRIPTION
002276	1" F x 1" F NPT Reconnectable Safe-T-Break®
005812	1" F x 1" F NPT Non-Reconnectable Safe-T-Break®
006301	1" F x 1" F NPT Non-Reconnectable PCC Safe-T-Break®
005231	1" F x 1" F NPT Low Pull Reconnectable Safe-T-Break®
003076	1" F x 1" F BSPP Reconnectable Safe-T-Break®
003076A	1" F x 1" F BSPP Reconnectable Safe-T-Break® - Atex
006914	1" F x 1" F BSPP Non-Reconnectable Safe-T-Break®

### Swivels

MODEL NO.	DESCRIPTION
000087	1" M x 1" F NPT Multi-Plane Swivel
004860	1" M x 1" F NPT Multi-Plane High Flow Swivel
000095	1" M x 1" F NPT 70° Pump Swivel
003395	1" M x 1" F NPT Multi-Plane Restricted Swivel
000352	1" M x ¾" F NPT Multi-Plane Swivel
000356	1" M x ¾" F NPT Multi-Plane Swivel Anodized Black
003306	1" M x 1" F BSPP Multi-Plane Swivel
003306A	1" M x 1" F BSPP Multi-Plane Swivel - Atex
006949	1" M x 1" F BSPP Multi-Plane High Flow Swivel

### Swivel/Safe-T-Break® Combos

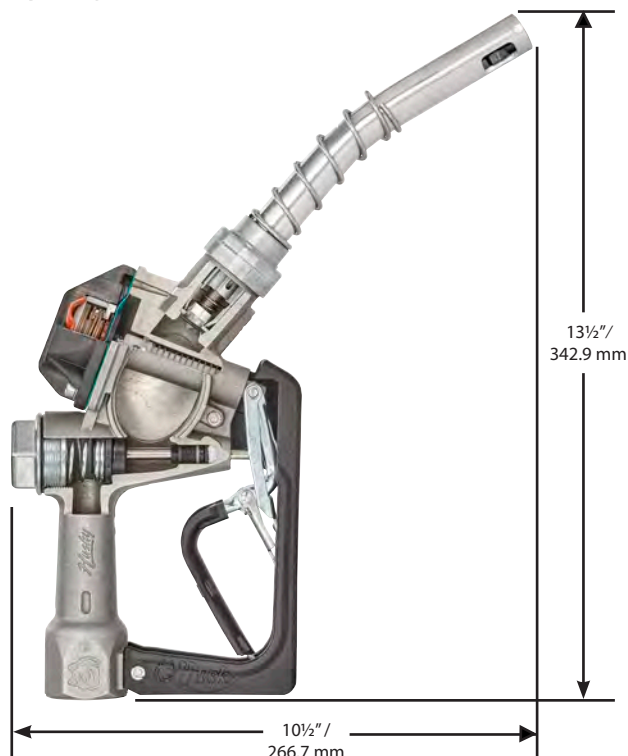
MODEL NO.	DESCRIPTION
005969	1" M NPT Multi-Plane Swivel connected to 1" F NPT Reconnectable Safe-T-Break®
008015	1" M BSPP Multi-Plane Swivel connected to 1" F BSPP Reconnectable Safe-T-Break®
008015A	1" M BSPP Multi-Plane Swivel connected to 1" F BSPP Reconnectable Safe-T-Break® - Atex

### Spouts

MODEL NO.	DESCRIPTION
001473	Unleaded Spout without Flo-Stop®
010434	Unleaded Long Spout without Flo-Stop®
001471	Light Duty Diesel Spout without Flo-Stop® with StreamShaper®
010353	Light Duty Diesel Long Spout without Flo-Stop®

### Accessories, Testing and Maintenance

MODEL NO.	DESCRIPTION
007089	Nozzle Service Kit
003593	Hold Open Clip Kit
000397	Unleaded Spout Gauge
000385	1" M x ¾" F Reducer Bushing



### Pressure/Vacuum Vents

MODEL NO.	DESCRIPTION
004620	2" Slip-On Pressure Vacuum Vent
004885	2" Thread-On Pressure Vacuum Vent - NPT
005885	2" Thread-On Pressure Vacuum Vent with Internal Screen - NPT

### Guards

MODEL NO.	DESCRIPTION
000554	Full Grip Guard
001804	Full Grip Reguard
005494	Lever Guard
003376	Mate Handle Guard
000226	Mate Nozzle Guard
008180	POPD® EZH Nozzle Guard
008179	POPD® EZS Nozzle Guard
007999	POPD® H Clear Cover
008170	POPD® H Mate Nozzle Guard
008183	POPD® H Full Grip Guard
008190	POPD® H Full Grip Reguard
006628	POPD® S Clear Cover
006655	POPD® S Full Grip Guard
007210	POPD® S Full Grip Reguard
008169	POPD® S Mate Nozzle Guard
000099	Protection Package
001811	Reguard Protection Package
001808	Waffle Splash Guard



2325 Husky Way • Pacific, MO 63069  
 (800) 325-3558 • Fax (636) 825-7300  
[www.husky.com](http://www.husky.com) • [sales@husky.com](mailto:sales@husky.com)

MADE IN THE U.S.A.

# 1AS CW Nozzles



**Pressure activated, automatic shut-off nozzle with metal handguard for full-service and self-service stations.**

- 1AS nozzle shuts off when:
  - the pump shuts off.
  - the gas tank is full.
  - the lever is opened before the pump is turned on.
  - the leak detector has not completed the test cycle.
- Contains a poppet disc seal, rated at -40° F/C to prevent fuel leakage from the main seal in extreme cold weather.
- Stainless steel reinforced spout bushing keeps the spout tip round and acts as a captive fastener to prevent tip-end sensor damage.
- Nozzle is equipped with a unique Flo-Stop® device that shuts off the nozzle if it falls from the fill tank or raises above the horizontal.
- StreamShaper® reduces turbulence for straighter fuel flow and less splash back spillage.
- Comes standard with smooth full grip guard.



## New Unleaded Nozzles with NPT

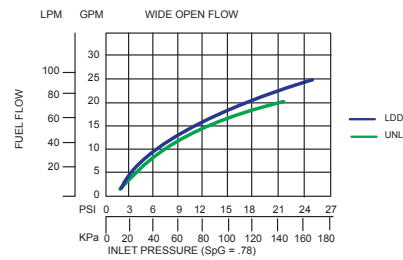
MODEL NO.	DESCRIPTION	SHIPPING WEIGHT LBS (KG)
1399204	with Three Notch Hold Open Clip	3.3 (1.4)

## New Light Duty Diesel Nozzles with NPT

MODEL NO.	DESCRIPTION	SHIPPING WEIGHT LBS (KG)
1399203	with Three Notch Hold Open Clip	3.4 (1.5)

## Construction

Body	Die cast aluminum body with metal hand guard
Seals	Fluorocarbon
Packing	Double o-ring seal protected by fiber reinforced Teflon®
Lever	One piece contoured steel with hard plastic cover
Inlet	1" / 25.4 mm NPT and BSPP



WARNING: Cancer and Reproductive Harm - www.P65Warnings.ca.gov

**Husky**

GENERAL FUELING PRODUCTS

# 1AS CW Nozzles

Pressure activated, automatic shut-off nozzle with metal handguard for full-service and self-service stations.

## Dimensions and System Options

### Safe-T-Breaks®

MODEL NO.	DESCRIPTION
002276	1" F x 1" F NPT Reconnectable Safe-T-Break®
005812	1" F x 1" F NPT Non-Reconnectable Safe-T-Break®
006301	1" F x 1" F NPT Non-Reconnectable PCC Safe-T-Break®
005231	1" F x 1" F NPT Low Pull Reconnectable Safe-T-Break®
003076	1" F x 1" F BSPP Reconnectable Safe-T-Break®
003076A	1" F x 1" F BSPP Reconnectable Safe-T-Break® - Atex
006914	1" F x 1" F BSPP Non-Reconnectable Safe-T-Break®

### Swivels

MODEL NO.	DESCRIPTION
000087	1" M x 1" F NPT Multi-Plane Swivel
004860	1" M x 1" F NPT Multi-Plane High Flow Swivel
000095	1" M x 1" F NPT 70° Pump Swivel
003395	1" M x 1" F NPT Multi-Plane Restricted Swivel
000352	1" M x ¾" F NPT Multi-Plane Swivel
000356	1" M x ¾" F NPT Multi-Plane Swivel Anodized Black
003306	1" M x 1" F BSPP Multi-Plane Swivel
003306A	1" M x 1" F BSPP Multi-Plane Swivel - Atex
006949	1" M x 1" F BSPP Multi-Plane High Flow Swivel

### Swivel/Safe-T-Break® Combos

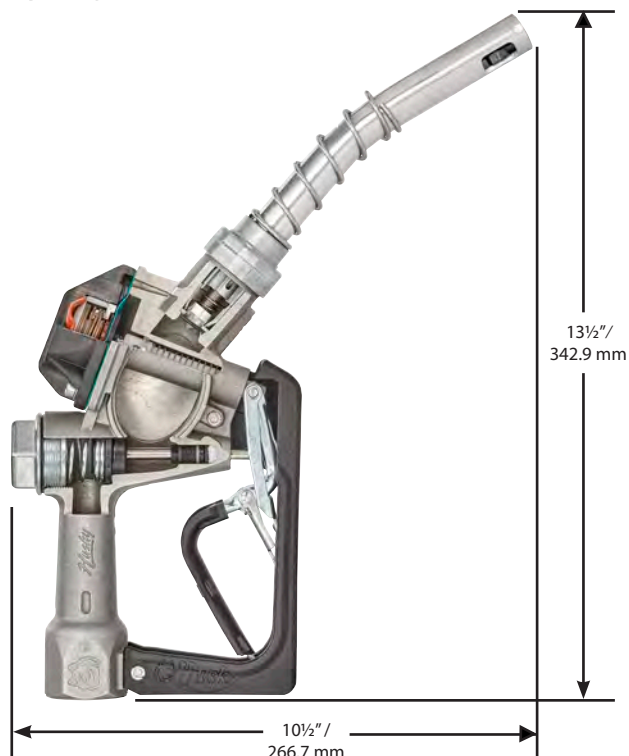
MODEL NO.	DESCRIPTION
005969	1" M NPT Multi-Plane Swivel connected to 1" F NPT Reconnectable Safe-T-Break®
008015	1" M BSPP Multi-Plane Swivel connected to 1" F BSPP Reconnectable Safe-T-Break®
008015A	1" M BSPP Multi-Plane Swivel connected to 1" F BSPP Reconnectable Safe-T-Break® - Atex

### Spouts

MODEL NO.	DESCRIPTION
001473	Unleaded Spout without Flo-Stop®
010434	Unleaded Long Spout without Flo-Stop®
001471	Light Duty Diesel Spout without Flo-Stop® with StreamShaper®
010353	Light Duty Diesel Long Spout without Flo-Stop®

### Accessories, Testing and Maintenance

MODEL NO.	DESCRIPTION
007089	Nozzle Service Kit
003593	Hold Open Clip Kit
000397	Unleaded Spout Gauge
000385	1" M x ¾" F Reducer Bushing



### Pressure/Vacuum Vents

MODEL NO.	DESCRIPTION
004620	2" Slip-On Pressure Vacuum Vent
004885	2" Thread-On Pressure Vacuum Vent - NPT
005885	2" Thread-On Pressure Vacuum Vent with Internal Screen - NPT

### Guards

MODEL NO.	DESCRIPTION
000554	Full Grip Guard
001804	Full Grip Reguard
005494	Lever Guard
003376	Mate Handle Guard
000226	Mate Nozzle Guard
008180	POPD® EZH Nozzle Guard
008179	POPD® EZS Nozzle Guard
007999	POPD® H Clear Cover
008170	POPD® H Mate Nozzle Guard
008183	POPD® H Full Grip Guard
008190	POPD® H Full Grip Reguard
006628	POPD® S Clear Cover
006655	POPD® S Full Grip Guard
007210	POPD® S Full Grip Reguard
008169	POPD® S Mate Nozzle Guard
000099	Protection Package
001811	Reguard Protection Package
001808	Waffle Splash Guard



2325 Husky Way • Pacific, MO 63069  
 (800) 325-3558 • Fax (636) 825-7300  
[www.husky.com](http://www.husky.com) • [sales@husky.com](mailto:sales@husky.com)

MADE IN THE U.S.A.



# 1AS CW Nozzles



**Pressure activated, automatic shut-off nozzle with polymer handguard for full-service and self-service stations.**

- 1AS nozzle shuts off when:
  - the pump shuts off.
  - the gas tank is full.
  - the lever is opened before the pump is turned on.
  - the leak detector has not completed the test cycle.
- Contains a poppet disc seal, rated at -40° F/C to prevent fuel leakage from the main seal in extreme cold weather.
- Stainless steel reinforced spout bushing keeps spout tip round and acts as a captive fastener to prevent tip-end sensor damage.
- Nozzle is equipped with a unique Flo-Stop® device that shuts off the nozzle if it falls from the fill tank or raises above the horizontal.
- StreamShaper® reduces turbulence for straighter fuel flow and less splash back spillage.
- Comes standard with smooth full grip guard.



## New Unleaded Nozzles with NPT

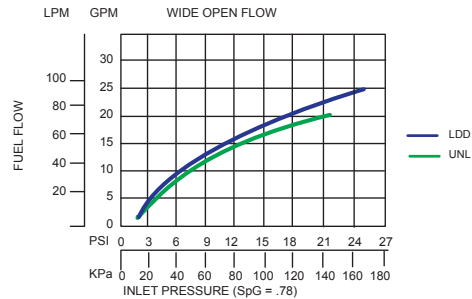
MODEL	DESCRIPTION	SHIPPING WEIGHT LBS (KG)
1398904	with Three Notch Hold Open Clip	3.3 (1.4)

## New Light Duty Diesel Nozzles with NPT

MODEL	DESCRIPTION	SHIPPING WEIGHT LBS (KG)
1398903	with Three Notch Hold Open Clip	3.4 (1.5)

## Construction

Body	Die cast aluminum body with high impact polymer hand guard
Seals	Fluorocarbon
Packing	Double o-ring seal protected by fiber reinforced Teflon®
Lever	One piece contoured steel with hard plastic cover
Inlet	1" / 25.4 mm NPT and BSPP



WARNING: Cancer and Reproductive Harm - www.P65Warnings.ca.gov

**Husky**

GENERAL FUELING PRODUCTS

# 1AS CW Nozzles

Pressure activated, automatic shut-off nozzle with polymer handguard for full-service and self-service stations.

## Dimensions and System Options

### Safe-T-Breaks®

MODEL NO.	DESCRIPTION
002276	1" F x 1" F NPT Reconnectable Safe-T-Break®
005812	1" F x 1" F NPT Non-Reconnectable Safe-T-Break®
006301	1" F x 1" F NPT Non-Reconnectable PCC Safe-T-Break®
005231	1" F x 1" F NPT Low Pull Reconnectable Safe-T-Break®
003076	1" F x 1" F BSPP Reconnectable Safe-T-Break®
003076A	1" F x 1" F BSPP Reconnectable Safe-T-Break® - Atex
006914	1" F x 1" F BSPP Non-Reconnectable Safe-T-Break®

### Swivels

MODEL NO.	DESCRIPTION
000087	1" M x 1" F NPT Multi-Plane Swivel
004860	1" M x 1" F NPT Multi-Plane High Flow Swivel
000095	1" M x 1" F NPT 70° Pump Swivel
003395	1" M x 1" F NPT Multi-Plane Restricted Swivel
000352	1" M x 3/4" F NPT Multi-Plane Swivel
000356	1" M x 3/4" F NPT Multi-Plane Swivel Anodized Black
003306	1" M x 1" F BSPP Multi-Plane Swivel
003306A	1" M x 1" F BSPP Multi-Plane Swivel - Atex
006949	1" M x 1" F BSPP Multi-Plane High Flow Swivel

### Swivel/Safe-T-Break® Combos

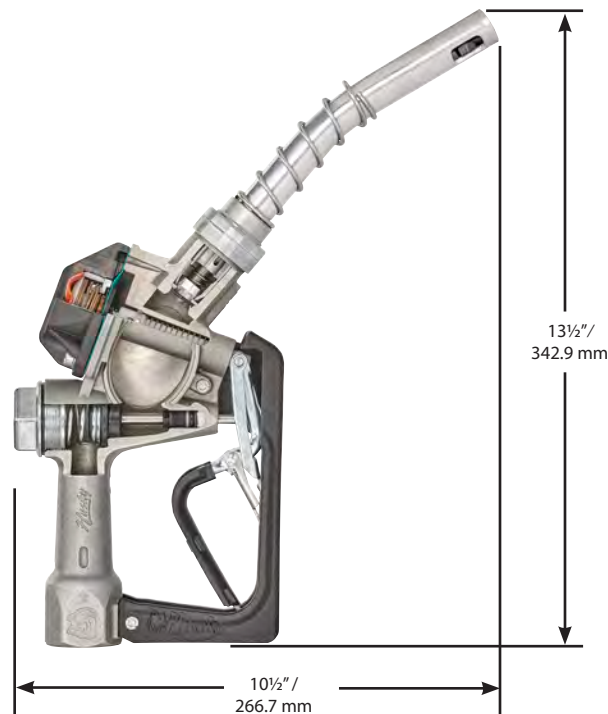
MODEL NO.	DESCRIPTION
005969	1" M NPT Multi-Plane Swivel connected to 1" F NPT Reconnectable Safe-T-Break®
008015	1" M BSPP Multi-Plane Swivel connected to 1" F BSPP Reconnectable Safe-T-Break®
008015A	1" M BSPP Multi-Plane Swivel connected to 1" F BSPP Reconnectable Safe-T-Break® - Atex

### Spouts

MODEL NO.	DESCRIPTION
001473	Unleaded Spout without Flo-Stop®
010434	Unleaded Long Spout without Flo-Stop®
001471	Light Duty Diesel Spout without Flo-Stop® with StreamShaper®
010353	Light Duty Diesel Long Spout without Flo-Stop®

### Accessories, Testing and Maintenance

MODEL NO.	DESCRIPTION
007089	Nozzle Service Kit
003593	Hold Open Clip Kit
000397	Unleaded Spout Gauge
000385	1" M x 3/4" F Reducer Bushing



### Pressure/Vacuum Vents

MODEL NO.	DESCRIPTION
004620	2" Slip-On Pressure Vacuum Vent
004885	2" Thread-On Pressure Vacuum Vent - NPT
005885	2" Thread-On Pressure Vacuum Vent with Interl Screen - NPT

### Guards

MODEL NO.	DESCRIPTION
000554	Full Grip Guard
001804	Full Grip Reguard
005494	Lever Guard
007295	Mate Handle Guard
000226	Mate Nozzle Guard
006628	POPD® Clear Cover
006655	POPD® Full Grip Nozzle Guard
007210	POPD® Full Grip Nozzle Reguard
008180	POPD® EZH Nozzle Guard
008179	POPD® EZS Nozzle Guard
007999	POPD® H Clear Cover
008170	POPD® H Mate Nozzle Guard
008183	POPD® H Full Grip Guard
008190	POPD® H Full Grip Reguard
008169	POPD® S Mate Nozzle Guard
000099	Protection Package
001811	Reguard Protection Package
001808	Waffle Splash Guard



2325 Husky Way • Pacific, MO 63069  
(800) 325-3558 • Fax (636) 825-7300

[www.husky.com](http://www.husky.com) • [sales@husky.com](mailto:sales@husky.com)

MADE IN THE U.S.A.



# XS<sup>®</sup> MFM PHG Nozzles



1-40

CONVENTIONAL FUELING

**Pressure activated, automatic shut-off nozzle for full-service and self-service stations.**

- XS<sup>®</sup> nozzle shuts off when:
  - the pump shuts off.
  - the gas tank is full.
  - the lever is opened before the pump is turned on.
  - the leak detector has not completed the test cycle.
- A reinforced stainless steel spout bushing keeps spout tip round and acts as a captive fastener to prevent tip-end sensor damage.
- Nozzle is equipped with a unique Flo-Stop<sup>®</sup> device that shuts off the nozzle if it falls from the fill tank or raises above the horizontal.
- *StreamShaper*<sup>®</sup> reduces turbulence for straighter fuel flow and less splash back spillage.
- Comes standard with smooth full grip guard.

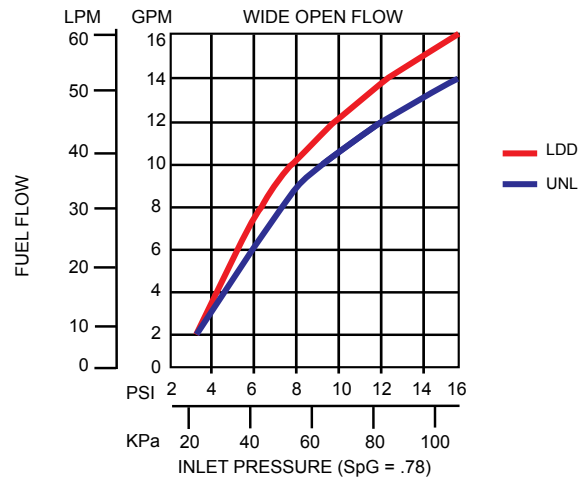


## New Light Duty Diesel Nozzles

MODEL NO	DESCRIPTION	SHIPPING WEIGHT LBS (KG)
1163560	with Two Notch Hold Open Clip, Waffle Splash Guard and EZ Lever	3.3 (1.4)

## CONSTRUCTION

Body	Die cast aluminum with polymer handguard
Seals	Fluorocarbon
Packing	Double o-ring seal protected by fiber reinforced Teflon <sup>®</sup>
Lever	Polymer lever
Inlet	1" / 25.4 mm NPT



**!** WARNING: Cancer and Reproductive Harm - [www.P65Warnings.ca.gov](http://www.P65Warnings.ca.gov)





Pressure activated, automatic shut-off nozzle for full-service and self-service stations.

## Dimensions and System Options

### Safe-T-Breaks<sup>®</sup>

MODEL NO.	DESCRIPTION
002276	1" F x 1" F NPT Reconnectable Safe-T-Break <sup>®</sup>
005812	1" F x 1" F NPT Non-Reconnectable Safe-T-Break <sup>®</sup>
006301	1" F x 1" F NPT Non-Reconnectable PCC Safe-T-Break <sup>®</sup>
005231	1" F x 1" F NPT Low Pull Reconnectable Safe-T-Break <sup>®</sup>

### Swivels

MODEL NO.	DESCRIPTION
000087	1" M x 1" F NPT Multi-Plane Swivel
004860	1" M x 1" F NPT Multi-Plane High Flow Swivel
000095	1" M x 1" F NPT 70° Pump Swivel
003395	1" M x 1" F NPT Multi-Plane Restricted Swivel
000352	1" M x 3/4" F NPT Multi-Plane Swivel
000356	1" M x 3/4" F NPT Multi-Plane Swivel Anodized Black

### Swivel/Safe-T-Break<sup>®</sup> Combos

MODEL NO.	DESCRIPTION
005969	1" M NPT Multi-Plane Swivel connected to 1" F NPT Reconnectable Safe-T-Break <sup>®</sup>

### Spouts

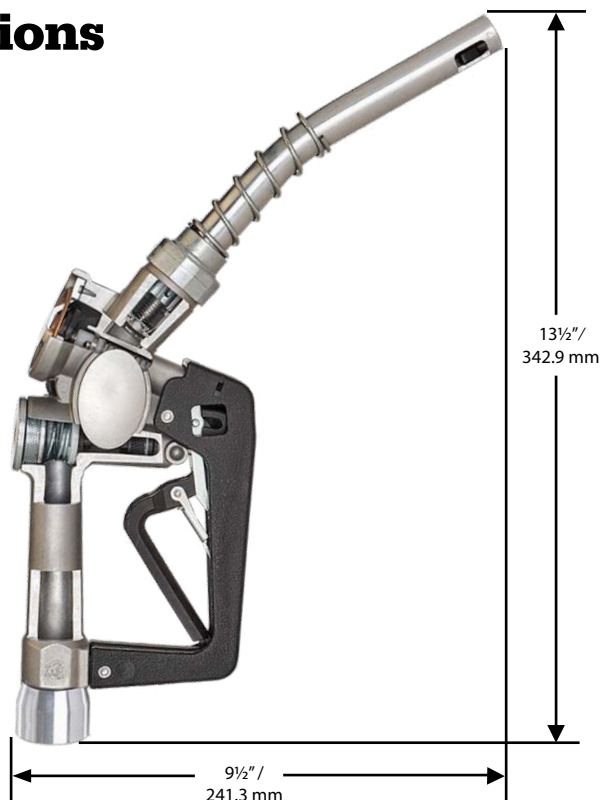
MODEL NO.	DESCRIPTION
001473	Unleaded Spout without Flo-Stop <sup>®</sup>
010434	Unleaded Long Spout without Flo-Stop <sup>®</sup>
001471	Light Duty Diesel Spout without Flo-Stop <sup>®</sup> with StreamShaper <sup>®</sup>
010353	Light Duty Diesel Long Spout without Flo-Stop <sup>®</sup>

### Pressure/Vacuum Vents

MODEL NO.	DESCRIPTION
004620	2" Slip-On Pressure Vacuum Vent
004885	2" Thread-On Pressure Vacuum Vent - NPT
005885	2" Thread-On Pressure Vacuum Vent with Internal Screen - NPT

### Accessories, Testing and Maintenance

MODEL NO.	DESCRIPTION
007089	Nozzle Service Kit
003593	Hold Open Clip Kit
000397	Unleaded Spout Gauge
000385	1" M x 3/4" F Reducer Bushing



### Guards

MODEL NO.	DESCRIPTION
004145	Full Grip Guard
001806	Full Grip Reguard
005494	Lever Guard
008176	POPD <sup>®</sup> EZH Nozzle Guard
008175	POPD <sup>®</sup> EZS Nozzle Guard
007999	POPD <sup>®</sup> H Clear Cover
008185	POPD <sup>®</sup> H Full Grip Guard
008192	POPD <sup>®</sup> H Full Grip Reguard
008166	POPD <sup>®</sup> H Mate Guard
006628	POPD <sup>®</sup> S Clear Cover
006665	POPD <sup>®</sup> S Full Grip Guard
007205	POPD <sup>®</sup> S Full Grip Reguard
008165	POPD <sup>®</sup> S Mate Guard
001506	Protection Package
001809	Reguard Protection Package
001808	Waffle Splash Guard



2325 Husky Way • Pacific, MO 63069  
 (800) 325-3558 • Fax (636) 825-7300  
[www.husky.com](http://www.husky.com) • [sales@husky.com](mailto:sales@husky.com)

MADE IN THE U.S.A.

**Pressure activated, automatic shut-off nozzle for full-service and self-service stations.**

- XS<sup>®</sup> nozzle shuts off when:
  - the pump shuts off.
  - the gas tank is full.
  - the lever is opened before the pump is turned on.
  - the leak detector has not completed the test cycle.
- *StreamShaper*<sup>®</sup> reduces turbulence for straighter fuel flow and less splash back spillage.
- Comes standard with smooth full grip guard.
- 2-piece lever is easier to use:
  - requires ½ the force to open nozzle.
  - ADA compliant.
- Contains a poppet disc seal, rated at -40° F/C to prevent fuel leakage from the main seal in extreme cold weather.
- Stainless steel spout bushing keeps spout tip round and acts as a captive fastener to prevent tip-end sensor damage.
- Nozzle is equipped with a unique Flo-Stop<sup>®</sup> device that shuts off the nozzle if it falls from the fill tank or raises above the horizontal.



**New Unleaded Nozzles**

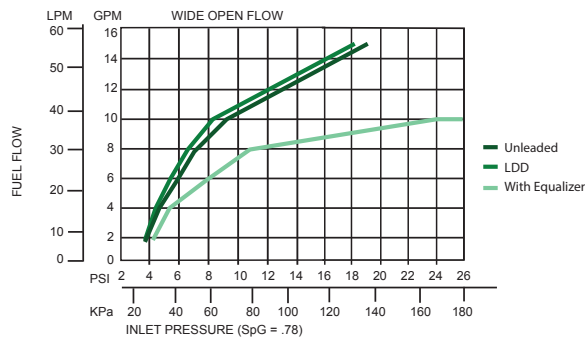
MODEL	DESCRIPTION	SHIPPING WEIGHT LBS (KG)
1396804	with Two Notch Hold Open Clip	3.1 (1.4)
1396866	without Hold Open Clip, with Waffle Splash Guard	3.1 (1.4)
E1396804	with Two Notch Hold Open Clip and Mate Guard	3.1 (1.4)


**New Light Duty Diesel Nozzles**

MODEL	DESCRIPTION	SHIPPING WEIGHT LBS (KG)
1396803	with Two Notch Hold Open Clip	3.1 (1.4)
1396867	without Hold Open Clip, with Waffle Splash Guard	3.1 (1.4)
E1396803	with Two Notch Hold Open Clip and Mate Guard	3.1 (1.4)

**CONSTRUCTION**

Body	Die cast aluminum with polymer handguard
Seals	Fluorocarbon
Packing	Double o-ring seal protected by fiber reinforced Teflon <sup>®</sup>
Lever	Two piece polymer lever
Inlet	3/4" / 19 mm NPT



 WARNING: Cancer and Reproductive Harm - www.P65Warnings.ca.gov

**Husky**

GENERAL FUELING PRODUCTS

**XS®****EZ Lever CW PHG Nozzles****Pressure activated, automatic shut-off nozzle for full-service and self-service stations.**

## Dimensions and System Options

### Safe-T-Breaks®

MODEL NO.	DESCRIPTION
003360	¾" F x ¾" F NPT Reconnectable Safe-T-Break®
002273	¾" F x ¾" F NPT Non-Reconnectable Safe-T-Break®
006130	¾" F x ¾" F NPT Non-Reconnectable PCC Safe-T-Break®
005230	¾" F x ¾" F NPT Low Pull Reconnectable Safe-T-Break®

### Swivels

MODEL NO.	DESCRIPTION
000350	¾" M x ¾" F NPT Multi-Plane Swivel
000355	¾" M x ¾" F NPT Multi-Plane Swivel Anodized Black
002272	¾" M x ¾" F NPT 90° Pump Swivel
003895	¾" M x ¾" F NPT Inline Swivel
002950	¾" M x ¾" F NPT Multi-Plane Restricted Swivel

### Swivel/Safe-T-Break® Combos

MODEL NO.	DESCRIPTION
006310	¾" M NPT Multi-Plane Swivel connected to ¾" F NPT Reconnectable Safe-T-Break®

### Spouts

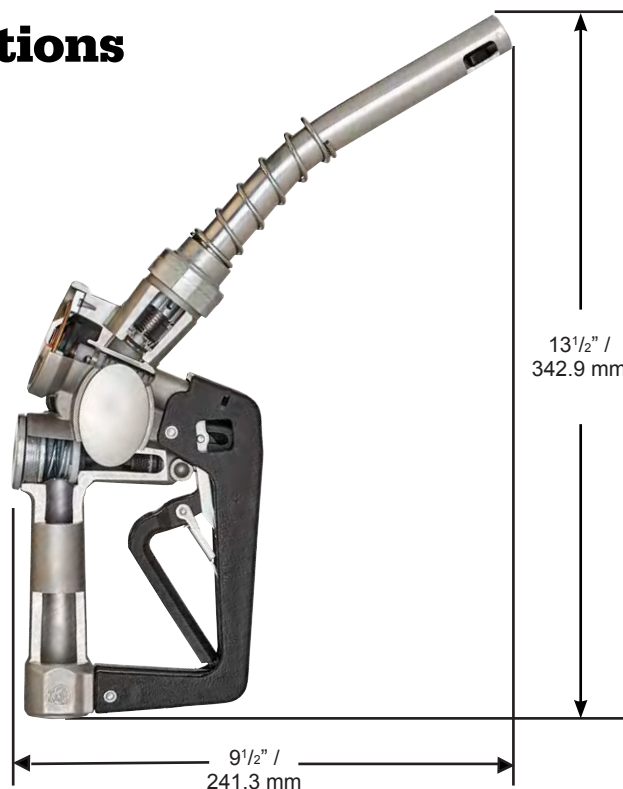
MODEL NO.	DESCRIPTION
001473	Unleaded Spout without Flo-Stop®
010434	Unleaded Long Spout without Flo-Stop®
001471	Light Duty Diesel Spout without Flo-Stop® with StreamShaper®
010353	Light Duty Diesel Long Spout without Flo-Stop®

### Pressure/Vacuum Vents

MODEL NO.	DESCRIPTION
004620	2" Slip-On Pressure Vacuum Vent
004885	2" Thread-On Pressure Vacuum Vent - NPT
005885	2" Thread-On Pressure Vacuum Vent with Internal Screen - NPT

### Accessories, Testing and Maintenance

MODEL NO.	DESCRIPTION
004490	Conventional Flo-Equalizer® - 10 gpm / 37.9 Lpm
003593	Hold Open Clip Kit
007490	Internal Flo-Equalizer® - 10 gpm / 37.9 Lpm
007089	Nozzle Service Kit
000397	Unleaded Spout Gauge



### Guards

MODEL NO.	DESCRIPTION
003376	Black Handle Guard
004145	Full Grip Guard
001806	Full Grip Reguard
005494	Lever Guard
003440	Mate Easy-on Package
003795	Mate Guard
008176	POPD® EZH Nozzle Guard
008175	POPD® EZS Nozzle Guard
007999	POPD® H Clear Cover
008185	POPD® H Full Grip Guard
008192	POPD® H Full Grip Reguard
008166	POPD® H Mate Guard
006628	POPD® S Clear Cover
006665	POPD® S Full Grip Guard
007205	POPD® S Full Grip Reguard
008165	POPD® S Mate Guard
001506	Protection Package
001809	Reguard Protection Package
001808	Waffle Splash Guard



2325 Husky Way • Pacific, MO 63069  
 (800) 325-3558 • Fax (636) 825-7300  
[www.husky.com](http://www.husky.com) • [sales@husky.com](mailto:sales@husky.com)

MADE IN THE U.S.A.



**Pressure activated, automatic shut-off nozzle for full-service and self-service stations.**

- XS<sup>®</sup> nozzle shuts off when:
  - the pump shuts off.
  - the gas tank is full.
  - the lever is opened before the pump is turned on.
  - the leak detector has not completed the test cycle.
- *StreamShaper*<sup>®</sup> reduces turbulence for straighter fuel flow and less splash back spillage.
- Comes standard with smooth full grip guard.
- Contains a poppet disc seal, rated at -40° F/C to prevent fuel leakage from the main seal in extreme cold weather
- Nozzle is equipped with a unique Flo-Stop<sup>®</sup> device that shuts off the nozzle if it falls from the fill tank or raises above the horizontal.



**New Unleaded Nozzles**

MODEL	DESCRIPTION	SHIPPING WEIGHT LBS (KG)
1456959	with Three Notch Hold Open Clip and Waffle Splash Guard	3.1 (1.4)
1456966	without Hold Open Clip, With Waffle Splash Guard	3.1 (1.4)

**New Light Duty Diesel Nozzles**

MODEL	DESCRIPTION	SHIPPING WEIGHT LBS (KG)
1456961	with Three Notch Hold Open Clip and Waffle Splash Guard	3.1 (1.4)
1456967	without Hold Open Clip, With Waffle Splash Guard	3.1 (1.4)

**Construction**

Body	Die cast aluminum with polymer handguard
Seals	Fluorocarbon
Packing	Double o-ring seal protected by fiber reinforced Teflon <sup>®</sup>
Lever	Polymer lever, one piece
Inlet	3/4" / 19.1 mm NPT



**WARNING:** Cancer and Reproductive Harm—[www.P65Warnings.ca.gov](http://www.P65Warnings.ca.gov)

**Husky**

GENERAL FUELING PRODUCTS

**XS<sup>®</sup>****CW PHG Nozzles****Pressure activated, automatic shut-off nozzle for full-service and self-service stations.**

## Dimensions and System Options

### Safe-T-Breaks<sup>®</sup>

MODEL NO.	DESCRIPTION
003360	¾" F x ¾" F NPT Reconnectable Safe-T-Break <sup>®</sup>
002273	¾" F x ¾" F NPT Non-Reconnectable Safe-T-Break <sup>®</sup>
006130	¾" F x ¾" F NPT Non-Reconnectable PCC Safe-T-Break <sup>®</sup>
005230	¾" F x ¾" F NPT Low Pull Reconnectable Safe-T-Break <sup>®</sup>

### Swivels

MODEL NO.	DESCRIPTION
000350	¾" M x ¾" F NPT Multi-Plane Swivel
000355	¾" M x ¾" F NPT Multi-Plane Swivel Anodized Black
002272	¾" M x ¾" F NPT 90° Pump Swivel
003895	¾" M x ¾" F NPT Inline Swivel
002950	¾" M x ¾" F NPT Multi-Plane Restricted Swivel

### Swivel/Safe-T-Break<sup>®</sup> Combos

MODEL NO.	DESCRIPTION
006310	¾" M NPT Multi-Plane Swivel connected to ¾" F NPT Reconnectable Safe-T-Break <sup>®</sup>

### Spouts

MODEL NO.	DESCRIPTION
001473	Unleaded Spout without Flo-Stop <sup>®</sup>
010434	Unleaded Long Spout without Flo-Stop <sup>®</sup>
001471	Light Duty Diesel Spout without Flo-Stop <sup>®</sup> with StreamShaper <sup>®</sup>
010353	Light Duty Diesel Long Spout without Flo-Stop <sup>®</sup>

### Pressure/Vacuum Vents

MODEL NO.	DESCRIPTION
004620	2" Slip-On Pressure Vacuum Vent
004885	2" Thread-On Pressure Vacuum Vent - NPT
005885	2" Thread-On Pressure Vacuum Vent with Internal Screen - NPT

### Accessories, Testing and Maintenance

MODEL NO.	DESCRIPTION
004490	Conventional Flo-Equalizer <sup>®</sup> - 10 gpm / 37.9 Lpm
003593	Hold Open Clip Kit
007490	Internal Flo-Equalizer <sup>®</sup> - 10 gpm / 37.9 Lpm
007089	Nozzle Service Kit
000397	Unleaded Spout Gauge



### Guards

MODEL NO.	DESCRIPTION
003376	Black Handle Guard
004145	Full Grip Guard
001806	Full Grip Reguard
005494	Lever Guard
003440	Mate Easy-on Package
003795	Mate Guard
008176	POPD <sup>®</sup> EZH Nozzle Guard
008175	POPD <sup>®</sup> EZS Nozzle Guard
007999	POPD <sup>®</sup> H Clear Cover
008185	POPD <sup>®</sup> H Full Grip Guard
008192	POPD <sup>®</sup> H Full Grip Reguard
008166	POPD <sup>®</sup> H Mate Guard
006628	POPD <sup>®</sup> S Clear Cover
006665	POPD <sup>®</sup> S Full Grip Guard
007205	POPD <sup>®</sup> S Full Grip Reguard
008165	POPD <sup>®</sup> S Mate Guard
001506	Protection Package
001809	Reguard Protection Package
001808	Waffle Splash Guard



2325 Husky Way • Pacific, MO 63069  
 (800) 325-3558 • Fax (636) 825-7300  
[www.husky.com](http://www.husky.com) • [sales@husky.com](mailto:sales@husky.com)

MADE IN THE U.S.A.



# X WPHG PHG Nozzles



## Automatic shut-off nozzle for full-service and self-service stations.

- X nozzle shuts off when:
  - the gas tank is full.
- Comes standard with mate guard.
- Stainless steel spout bushing keeps spout tip round and acts as a captive fastener to prevent tip-end sensor damage.
- Wayne Polymer Handguard:
  - high-strength polymer handguard designed to specifically fit Wayne dispensers.
  - optional magnet can be fitted into the handguard to trigger the dispenser's proximity switch.
- Nozzle is equipped with a unique Flo-Stop® device that shuts off the nozzle if it falls from the fill tank or raises above the horizontal.
- StreamShaper® reduces turbulence for straighter fuel flow and less splash back spillage.

### New Unleaded Nozzles

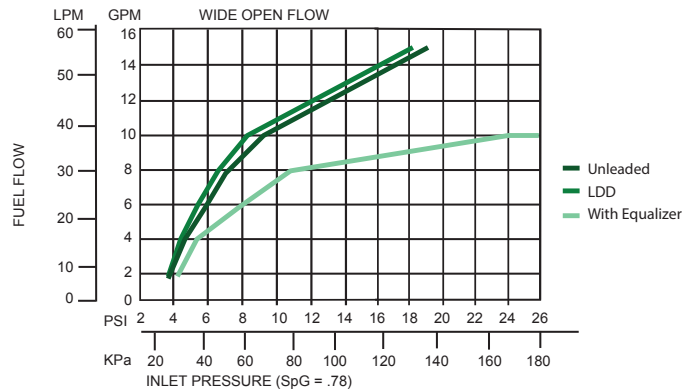
MODEL NO.	DESCRIPTION	SHIPPING WEIGHT LBS (KG)
E1503004N	with Three Notch Hold Open Clip and Magnetic Hand Guard	3.0 (1.4)
		^ NOT LISTED

### New Light Duty Diesel Nozzles

MODEL NO.	DESCRIPTION	SHIPPING WEIGHT LBS (KG)
E1503003N	with Three Notch Hold Open Clip and Magnetic Hand Guard	3.0 (1.4)
		^ NOT LISTED

### Construction

Body	Die cast aluminum with polymer handguard
Seals	Fluorocarbon
Packing	Double o-ring seal protected by fiber reinforced Teflon®
Lever	Single-piece polymer
Inlet	¾" / 19 mm NPT



WARNING: Cancer and Reproductive Harm - www.P65Warnings.ca.gov





# X WPHG PHG Nozzles

Automatic shut-off nozzle for full-service and self-service stations.

## Dimensions and System Options

### Safe-T-Breaks®

MODEL NO.	DESCRIPTION
003360	¾" F x ¾" F NPT Reconnectable Safe-T-Break®
002273	¾" F x ¾" F NPT Non-Reconnectable Safe-T-Break®
006130	¾" F x ¾" F NPT Non-Reconnectable PCC Safe-T-Break®
005230	¾" F x ¾" F NPT Low Pull Reconnectable Safe-T-Break®
008330	¾" F x ¾" F NPT Reconnectable MAGBREAK®

### Swivels

MODEL NO.	DESCRIPTION
000350	¾" M x ¾" F NPT Multi-Plane Swivel
000355	¾" M x ¾" F NPT Multi-Plane Swivel Anodized Black
002272	¾" M x ¾" F NPT 90° Pump Swivel
003895	¾" M x ¾" F NPT Inline Swivel
002950	¾" M x ¾" F NPT Multi-Plane Restricted Swivel

### Swivel/Safe-T-Break® Combos

MODEL NO.	DESCRIPTION
006310	¾" M NPT Multi-Plane Swivel connected to ¾" F NPT Reconnectable Safe-T-Break®

### Spouts

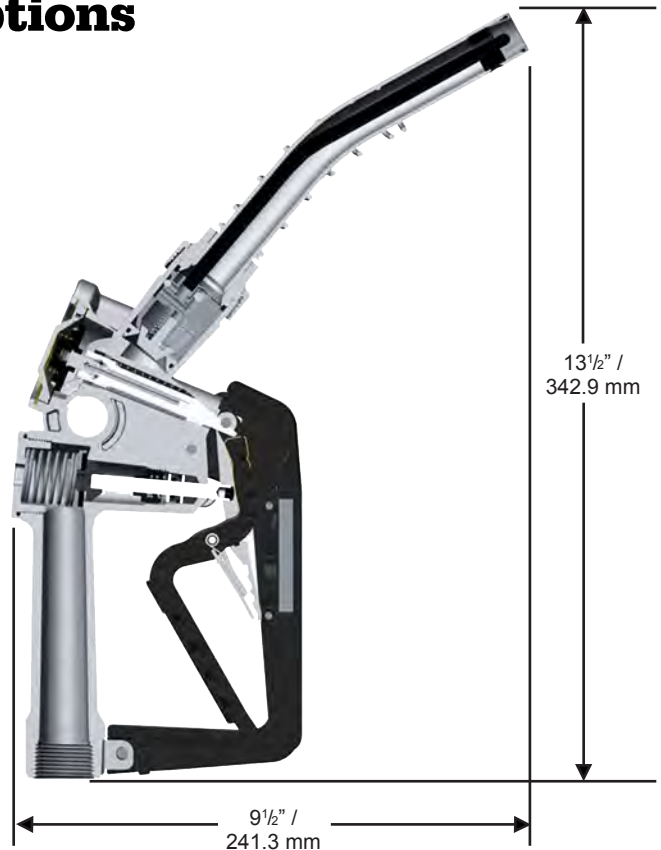
MODEL NO.	DESCRIPTION
001473	Unleaded Spout without Flo-Stop®
001471	Light Duty Diesel Spout without Flo-Stop® with StreamShaper®

### Pressure/Vacuum Vents

MODEL NO.	DESCRIPTION
004620	2" Slip-On Pressure Vacuum Vent
004885	2" Thread-On Pressure Vacuum Vent - NPT
005885	2" Thread-On Pressure Vacuum Vent with Internal Screen - NPT

### Accessories, Testing and Maintenance

MODEL NO.	DESCRIPTION
004490	Conventional Flo-Equalizer® - 10 gpm / 37.9 Lpm
003593	Hold Open Clip Kit
007490	Internal Flo-Equalizer® - 10 gpm / 37.9 Lpm
007089	Nozzle Service Kit



### Guards

MODEL NO.	DESCRIPTION
007361	Black Handle Guard
014524	Mate Easy-On Package
014530	Mate Guard
007999	POPD® H Clear Cover
015253	POPD® H Mate Guard With Clear Cover
001808	Waffle Splash Guard
015247	POPD® H Mate Guard Without Clear Cover



2325 Husky Way • Pacific, MO 63069  
 (800) 325-3558 • Fax (636) 825-7300  
[www.husky.com](http://www.husky.com) • [sales@husky.com](mailto:sales@husky.com)

MADE IN THE U.S.A.

**Pressure activated, automatic shut-off nozzle for full-service and self-service stations.**

- XS® nozzle shuts off when:
  - the pump shuts off.
  - the gas tank is full.
  - the lever is opened before the pump is turned on.
  - the leak detector has not completed the test cycle.
- *StreamShaper*® reduces turbulence for straighter fuel flow and less splash back spillage.
- 2-piece lever is easier to use:
  - requires ½ the force to open nozzle.
  - ADA compliant.
- Stainless steel spout bushing keeps spout tip round and acts as a captive fastener to prevent tip-end sensor damage.
- Nozzle is equipped with a unique Flo-Stop® device that shuts off the nozzle if it falls from the fill tank or raises above the horizontal.



**New Unleaded Nozzles**

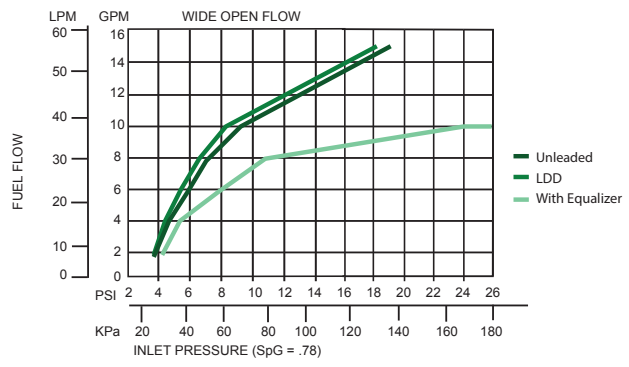
MODEL	DESCRIPTION	SHIPPING WEIGHT LBS (KG)
11635248	with Two Notch Hold Open Clip, Veg. Splash Guard, Drip Less Spout and Mate Guard	3.1 (1.4)
		^NOT LISTED

**New Light Duty Diesel Nozzles**

MODEL	DESCRIPTION	SHIPPING WEIGHT LBS (KG)
11635249	with Two Notch Hold Open Clip, Veg. Splash Guard, Drip Less Spout and Mate Guard	3.1 (1.4)
		^NOT LISTED

**CONSTRUCTION**

Body	Die cast aluminum with polymer handguard
Seals	Fluorocarbon
Packing	Double o-ring seal protected by fiber reinforced Teflon®
Lever	Polymer lever
Inlet	3/4" / 19 mm NPT



WARNING: Cancer and Reproductive Harm - www.P65Warnings.ca.gov

**Husky**

GENERAL FUELING PRODUCTS

**XS® Bellows Splash Guard Nozzles****Pressure activated, automatic shut-off nozzle for full-service and self-service stations.****Dimensions and System Options****Safe-T-Breaks®**

MODEL NO.	DESCRIPTION
003360	¾" F x ¾" F NPT Reconnectable Safe-T-Break®
002273	¾" F x ¾" F NPT Non-Reconnectable Safe-T-Break®
006130	¾" F x ¾" F NPT Non-Reconnectable PCC Safe-T-Break®
005230	¾" F x ¾" F NPT Low Pull Reconnectable Safe-T-Break®

**Swivels**

MODEL NO.	DESCRIPTION
000350	¾" M x ¾" F NPT Multi-Plane Swivel
000355	¾" M x ¾" F NPT Multi-Plane Swivel Anodized Black
002272	¾" M x ¾" F NPT 90° Pump Swivel
003895	¾" M x ¾" F NPT Inline Swivel
002950	¾" M x ¾" F NPT Multi-Plane Restricted Swivel

**Swivel/Safe-T-Break® Combos**

MODEL NO.	DESCRIPTION
006310	¾" M NPT Multi-Plane Swivel connected to ¾" F NPT Reconnectable Safe-T-Break®

**Spouts**

MODEL NO.	DESCRIPTION
001473	Unleaded Spout without Flo-Stop®
010434	Unleaded Long Spout without Flo-Stop®
001471	Light Duty Diesel Spout without Flo-Stop® with StreamShaper®
010353	Light Duty Diesel Long Spout without Flo-Stop®

**Pressure/Vacuum Vents**

MODEL NO.	DESCRIPTION
004620	2" Slip-On Pressure Vacuum Vent
004885	2" Thread-On Pressure Vacuum Vent - NPT
005885	2" Thread-On Pressure Vacuum Vent with Internal Screen - NPT

**Accessories, Testing and Maintenance**

MODEL NO.	DESCRIPTION
004490	Conventional Flo-Equalizer® - 10 gpm / 37.9 Lpm
003593	Hold Open Clip Kit
007490	Internal Flo-Equalizer® - 10 gpm / 37.9 Lpm
007089	Nozzle Service Kit
000397	Unleaded Spout Gauge

**Guards**

MODEL NO.	DESCRIPTION
003376	Black Handle Guard
004145	Full Grip Guard
001806	Full Grip Reguard
005494	Lever Guard
003440	Mate Easy-on Package
003795	Mate Guard
008176	POPD® EZH Nozzle Guard
008175	POPD® EZS Nozzle Guard
007999	POPD® H Clear Cover
008185	POPD® H Full Grip Guard
008192	POPD® H Full Grip Reguard
008166	POPD® H Mate Guard
006628	POPD® S Clear Cover
006665	POPD® S Full Grip Guard
007205	POPD® S Full Grip Reguard
008165	POPD® S Mate Guard
001506	Protection Package
001809	Reguard Protection Package
001808	Waffle Splash Guard



2325 Husky Way • Pacific, MO 63069  
 (800) 325-3558 • Fax (636) 825-7300  
[www.husky.com](http://www.husky.com) • [sales@husky.com](mailto:sales@husky.com)

MADE IN THE U.S.A.



## Automatic shut-off nozzle for full-service and self-service stations.

- XS® nozzle shuts off when:
  - the pump shuts off.
  - the gas tank is full.
  - the lever is opened before the pump is turned on.
  - the leak detector has not completed the test cycle.
- A reinforced stainless steel spout bushing keeps spout tip round and acts as a captive fastener to prevent tip-end sensor damage.
- Nozzle is equipped with a unique Flo-Stop® device that shuts off the nozzle if it falls from the fill tank or raises above the horizontal.
- Sightglass on nozzle allows customer to see fuel flow through nozzle.
- *StreamShaper*® reduces turbulence for straighter fuel flow and less splash back spillage.
- Comes standard with smooth full grip guard.
- 2-piece lever is easier to use:
  - requires ½ the force to open nozzle.
  - ADA compliant.



### New Unleaded Nozzles

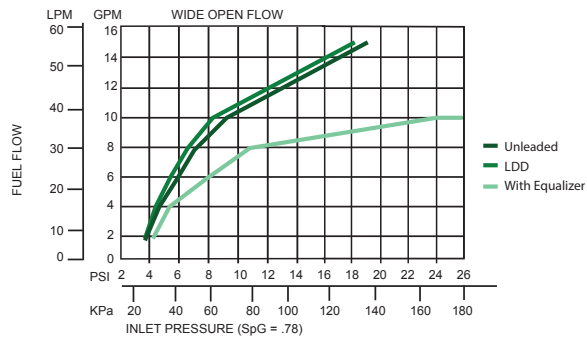
MODEL	DESCRIPTION	SHIPPING WEIGHT LBS (KG)
E11635273	with Two Notch Hold Open Clip	3.1 (1.4)
		^NOT LISTED

### New Light Duty Diesel Nozzles

MODEL	DESCRIPTION	SHIPPING WEIGHT LBS (KG)
E11635272	with Two Notch Hold Open Clip	3.1 (1.4)
		^NOT LISTED

### CONSTRUCTION

Body	Die cast aluminum with polymer handguard
Seals	Fluorocarbon
Packing	Double o-ring seal protected by fiber reinforced Teflon®
Lever	Polymer lever
Inlet	3/4" / 19 mm BSP



WARNING: Cancer and Reproductive Harm - www.P65Warnings.ca.gov

**Husky**

GENERAL FUELING PRODUCTS

**XS® EZ Lever BSP PHG Sightglass****Automatic shut-off nozzle for full-service and self-service stations.****Dimensions and System Options****Safe-T-Breaks®**

MODEL NO.	DESCRIPTION
003385	¾" F x ¾" F BSPP Reconnectable Safe-T-Break®
003385A	¾" F x ¾" F BSPP Reconnectable Safe-T-Break® - Atex
002774	¾" F x ¾" F BSPP Non-Reconnectable Safe-T-Break®
002774A	¾" F x ¾" F BSPP Non-Reconnectable Safe-T-Break® - Atex

**Swivels**

MODEL NO.	DESCRIPTION
003590	¾" M x ¾" F BSPP Multi-Plane Swivel
003590A	¾" M x ¾" F BSPP Multi-Plane Swivel - Atex
003590W	¾" M x ¾" F BSPP Multi-Plane Swivel with Warm Weather Seals
002771	¾" M x ¾" F BSPP 90° Pump Swivel
002771A	¾" M x ¾" F BSPP 90° Pump Swivel - Atex

**Swivel/Safe-T-Break® Combos**

MODEL NO.	DESCRIPTION
007085	¾" M BSPP Multi-Plane Swivel connected to ¾" F BSPP Reconnectable Safe-T-Break®

**Spouts**

MODEL NO.	DESCRIPTION
001473	Unleaded Spout without Flo-Stop®
010434	Unleaded Long Spout without Flo-Stop®
001471	Light Duty Diesel Spout without Flo-Stop® with StreamShaper®
010353	Light Duty Diesel Long Spout without Flo-Stop®

**Pressure/Vacuum Vents**

MODEL NO.	DESCRIPTION
004620	2" Slip-On Pressure Vacuum Vent
004885	2" Thread-On Pressure Vacuum Vent - NPT
005885	2" Thread-On Pressure Vacuum Vent with Internal Screen - NPT

**Accessories, Testing and Maintenance**

MODEL NO.	DESCRIPTION
004490	Conventional Flo-Equalizer® - 10 gpm / 37.9 Lpm
003593	Hold Open Clip Kit
007490	Internal Flo-Equalizer® - 10 gpm / 37.9 Lpm
007089	Nozzle Service Kit
000397	Unleaded Spout Gauge

**Guards**

MODEL NO.	DESCRIPTION
003376	Black Handle Guard
004145	Full Grip Guard
001806	Full Grip Reguard
005494	Lever Guard
003440	Mate Easy-on Package
003795	Mate Guard
008176	POPD® EZH Nozzle Guard
008175	POPD® EZS Nozzle Guard
007999	POPD® H Clear Cover
008185	POPD® H Full Grip Guard
008192	POPD® H Full Grip Reguard
008166	POPD® H Mate Guard
006628	POPD® S Clear Cover
006665	POPD® S Full Grip Guard
007205	POPD® S Full Grip Reguard
008165	POPD® S Mate Guard
001506	Protection Package
001809	Reguard Protection Package
001808	Waffle Splash Guard



2325 Husky Way • Pacific, MO 63069  
 (800) 325-3558 • Fax (636) 825-7300  
[www.husky.com](http://www.husky.com) • [sales@husky.com](mailto:sales@husky.com)

MADE IN THE U.S.A.



GENERAL FUELING PRODUCTS

# **Farm & Commercial Nozzles**



# 1GS Nozzles



**Automatic shut-off nozzle with metal handguard for farm, 12V skid tanks, large pumps with or without air eliminators and commercial applications.**

- 1GS nozzle shuts off when the gas tank is full.
- Nozzle is equipped with unique Flo-Stop® device that shuts off the nozzle if it falls from the fill tank or raises above the horizontal.
- Not for use with gravity tanks.
- Heavy duty, long lasting metal handguard.
- Not legal for retail dispensing applications.



### Unleaded Nozzles with NPT

MODEL NO.	DESCRIPTION	SHIPPING WEIGHT LBS (KG)
696204N <sup>^</sup>	with Three Notch Hold Open Clip and Hook	3.6 (1.6)
6962209N <sup>^</sup>	with Three Notch Hold Open Clip, Hook, and Reducer Bushing	3.6 (1.6)

<sup>^</sup> NOT LISTED

### Unleaded Nozzles with BSPP

MODEL NO.	DESCRIPTION	SHIPPING WEIGHT LBS (KG)
696216N <sup>^</sup>	with Three Notch Hold Open Clip and Hook	3.6 (1.6)

<sup>^</sup> NOT LISTED

### Light Duty Diesel Nozzles with NPT

MODEL NO.	DESCRIPTION	SHIPPING WEIGHT LBS (KG)
696203N <sup>^</sup>	with Three Notch Hold Open Clip and Hook	3.6 (1.6)
6962208N <sup>^</sup>	with Three Notch Hold Open Clip, Hook and Reducer Bushing	3.6 (1.6)

<sup>^</sup> NOT LISTED

### Light Duty Diesel Nozzles with BSPP

MODEL NO.	DESCRIPTION	SHIPPING WEIGHT LBS (KG)
696215N <sup>^</sup>	with Three Notch Hold Open Clip and Hook	3.6 (1.6)

<sup>^</sup> NOT LISTED

### Heavy Duty Diesel Nozzles with NPT

MODEL NO.	DESCRIPTION	SHIPPING WEIGHT LBS (KG)
696210N <sup>^</sup>	with Three Notch Hold Open Clip and Hook	3.6 (1.6)

<sup>^</sup> NOT LISTED

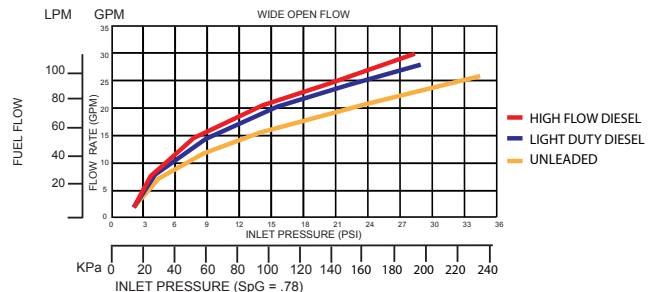
### Heavy Duty Diesel Nozzles with BSPP

MODEL NO.	DESCRIPTION	SHIPPING WEIGHT LBS (KG)
696238N <sup>^</sup>	with Three Notch Hold Open Clip and Hook	3.6 (1.6)

<sup>^</sup> NOT LISTED

### Construction

Body	Aluminum
Seals	Fluorocarbon
Packing	Double o-ring seal protected by fiber reinforced Teflon®
Lever	One piece contoured steel with hard plastic cover
Inlet	1" / 25.4 mm NPT & BSPP



WARNING: Cancer and Reproductive Harm - www.P65Warnings.ca.gov

Automatic shut-off nozzle with metal handguard for farm, 12V skid tanks, large pumps with or without air eliminators and commercial applications.

## Dimensions and System Options

### Safe-T-Breaks®

MODEL NO.	DESCRIPTION
002276	1" F x 1" F NPT Reconnectable Safe-T-Break®
005812	1" F x 1" F NPT Non-Reconnectable Safe-T-Break®
006301	1" F x 1" F NPT Non-Reconnectable PCC Safe-T-Break®
005231	1" F x 1" F NPT Low Pull Reconnectable Safe-T-Break®
003076	1" F x 1" F BSPP Reconnectable Safe-T-Break®
003076A	1" F x 1" F BSPP Reconnectable Safe-T-Break® - ATEX
006914	1" F x 1" F BSPP Non-Reconnectable Safe-T-Break®

### Swivels

MODEL NO.	DESCRIPTION
000087	1" M x 1" F NPT Multi-Plane Swivel
000095	1" M x 1" F NPT 70° Pump Swivel
003395	1" M x 1" F NPT Multi-Plane Restricted Swivel
000352	1" M x ¾" F NPT Multi-Plane Swivel
000356	1" M x ¾" F NPT Multi-Plane Swivel Anodized Black
003306	1" M x 1" F BSPP Multi-Plane Swivel
003306A	1" M x 1" F BSPP Multi-Plane Swivel - ATEX

### Swivel•Safe-T-Break® Combos

MODEL NO.	DESCRIPTION
005969	1" M NPTF Multi-Plane Swivel connected to 1" F NPT Reconnectable Safe-T-Break®
008015	1" M BSPP Multi-Plane Swivel connected to 1" F BSPP Reconnectable Safe-T-Break®
008015A	1" M BSPP Multi-Plane Swivel connected to 1" F BSPP Reconnectable Safe-T-Break® - ATEX

### Spouts

MODEL NO.	DESCRIPTION
001473	Unleaded Spout without Flo-Stop®
010434	Unleaded Long Spout without Flo-Stop®
001471	Light Duty Diesel Spout without Flo-Stop® with StreamShaper®
010353	Light Duty Diesel Long Spout without Flo-Stop®
005215	Heavy Duty Diesel Spout with Flo-Stop®

### Accessories, Testing and Maintenance

MODEL NO.	DESCRIPTION
007089	Nozzle Service Kit
003593	Hold Open Clip Kit
000385	1" M x ¾" F Reducer Bushing - NPT Threads
001717	1" M x ¾" F Reducer Bushing - BSPP Threads
000397	Unleaded Spout Gauge
000548	Hanging Hook for Unleaded and Light Duty Diesel Nozzles



### Guards

MODEL NO.	DESCRIPTION
000554	Full Grip Guard
001804	Full Grip Reguard
005494	Lever Guard
000226	Mate Guard
007376	Mate Handle Guard
008180	POPD® EZH Nozzle Guard
008179	POPD® EZS Nozzle Guard
007999	POPD® H Clear Cover
008170	POPD® H Mate Guard
008183	POPD® H Full Grip Guard
008190	POPD® H Full Grip Reguard
006628	POPD® S Clear Cover
006655	POPD® S Full Grip Guard
007210	POPD® S Full Grip Reguard
008169	POPD® S Mate Guard

### Pressure/Vacuum Vents

MODEL NO.	DESCRIPTION
004620	2" Slip-On Pressure Vacuum Vent
004885	2" Thread-On Pressure Vacuum Vent - NPT
005885	2" Thread-On Pressure Vacuum Vent with Internal Screen - NPT

# 1GS Nozzles



**Automatic shut-off nozzle with polymer handguard for farm, 12V skid tanks, large pumps with or without air eliminators and commercial applications.**

- 1GS nozzle shuts off when the gas tank is full.
- Nozzle is equipped with unique Flo-Stop® device that shuts off the nozzle if it falls from the fill tank or raises above the horizontal.
- Not for use with gravity tanks.
- Not legal for retail dispensing applications.



### New Unleaded Nozzles with NPT

MODEL NO.	DESCRIPTION	SHIPPING WEIGHT LBS (KG)
045704N <sup>^</sup>	with Three Notch Hold Open Clip and Hook	3.6 (1.6)
045708	without Hold Open Clip and Hook	3.6 (1.6)
0457209N <sup>^</sup>	with Three Notch Hold Open Clip, Hook and Reducer Bushing	3.6 (1.6)

<sup>^</sup> NOT LISTED

### New Unleaded Nozzles with BSPP

MODEL NO.	DESCRIPTION	SHIPPING WEIGHT LBS (KG)
045716N <sup>^</sup>	with Three Notch Hold Open Clip and Hook	3.6 (1.6)
045720	without Hold Open Clip with Hook	3.6 (1.6)

<sup>^</sup> NOT LISTED

### New Light Duty Diesel Nozzles with NPT

MODEL NO.	DESCRIPTION	SHIPPING WEIGHT LBS (KG)
045703N <sup>^</sup>	with Three Notch Hold Open Clip and Hook	3.6 (1.6)
045707	without Hold Open Clip with Hook	3.6 (1.6)
0457208N <sup>^</sup>	with Three Notch Hold Open Clip, Hook and Reducer Bushing	3.6 (1.6)

<sup>^</sup> NOT LISTED

### New Light Duty Diesel Nozzles with BSPP

MODEL NO.	DESCRIPTION	SHIPPING WEIGHT LBS (KG)
045715N <sup>^</sup>	with Three Notch Hold Open Clip and Hook	3.6 (1.6)
045719	without Hold Open Clip with Hook	3.6 (1.6)

<sup>^</sup> NOT LISTED

### New Heavy Duty Diesel Nozzles with NPT

MODEL NO.	DESCRIPTION	SHIPPING WEIGHT LBS (KG)
045709N <sup>^</sup>	with Three Notch Hold Open Clip and Hook without Flo-Stop®	3.6 (1.6)
045710N <sup>^</sup>	with Three Notch Hold Open Clip and Hook	3.6 (1.6)
045712	without Hold Open Clip, with Hook	3.6 (1.6)

<sup>^</sup> NOT LISTED

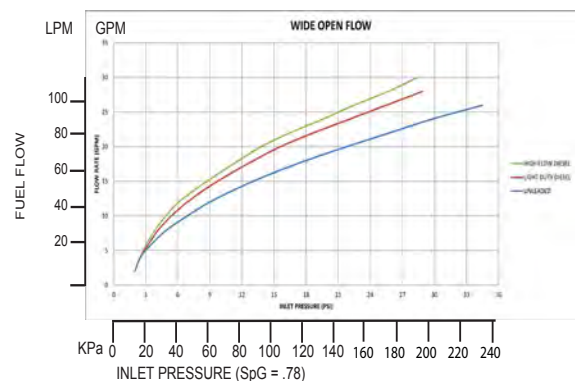
### New Heavy Duty Diesel Nozzles with BSPP

MODEL NO.	DESCRIPTION	SHIPPING WEIGHT LBS (KG)
045738N <sup>^</sup>	with Three Notch Hold Open Clip and Hook	3.6 (1.6)

<sup>^</sup> NOT LISTED

### Construction

Body	Aluminum
Seals	Fluorocarbon
Packing	Double o-ring seal protected by fiber reinforced Teflon®
Lever	One piece contoured steel with hard plastic cover
Inlet	1" / 25.4 mm NPT



WARNING: Cancer and Reproductive Harm - www.P65Warnings.ca.gov

Automatic shut-off nozzle with polymer handguard for farm, 12V skid tanks, large pumps with or without air eliminators and commercial applications.

## Dimensions and System Options

### Safe-T-Breaks®

MODEL NO.	DESCRIPTION
002276	1" F x 1" F NPT Reconnectable Safe-T-Break®
005812	1" F x 1" F NPT Non-Reconnectable Safe-T-Break®
006301	1" F x 1" F NPT Non-Reconnectable PCC Safe-T-Break®
005231	1" F x 1" F NPT Low Pull Reconnectable Safe-T-Break®
003076	1" F x 1" F BSPP Reconnectable Safe-T-Break®
003076A	1" F x 1" F BSPP Reconnectable Safe-T-Break® - Atex
006914	1" F x 1" F BSPP Non-Reconnectable Safe-T-Break®

### Swivels

MODEL NO.	DESCRIPTION
000087	1" M x 1" F NPT Multi-Plane Swivel
000095	1" M x 1" F NPT 70° Pump Swivel
003395	1" M x 1" F NPT Multi-Plane Restricted Swivel
000352	1" M x ¾" F NPT Multi-Plane Swivel
000356	1" M x ¾" F NPT Multi-Plane Swivel Anodized Black
003306	1" M x 1" F BSPP Multi-Plane Swivel
003306A	1" M x 1" F BSPP Multi-Plane Swivel - Atex

### Swivel•Safe-T-Break® Combos

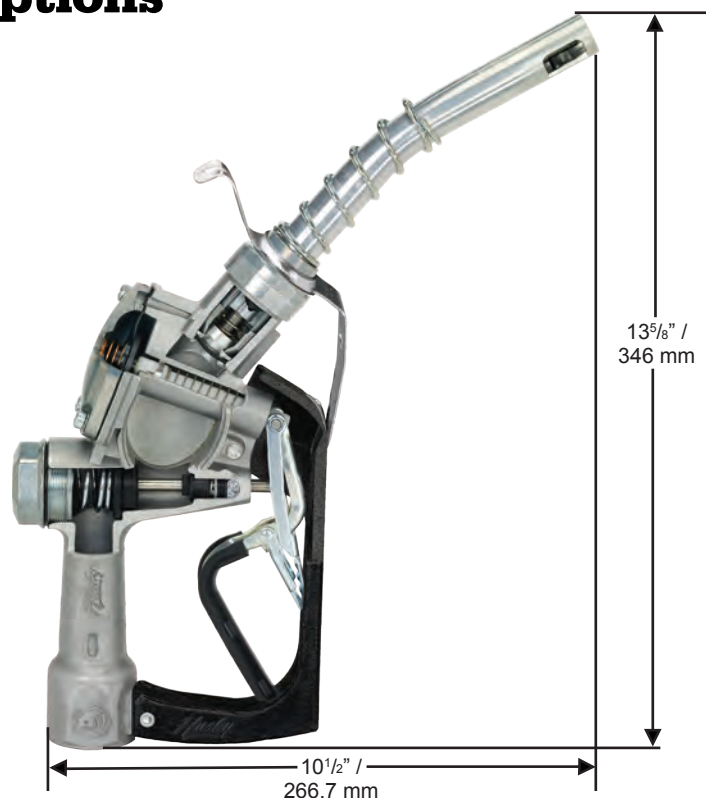
MODEL NO.	DESCRIPTION
005969	1" M NPT Multi-Plane Swivel connected to 1" F NPT Reconnectable Safe-T-Break®
008015	1" M BSPP Multi-Plane Swivel connected to 1" F BSPP Reconnectable Safe-T-Break®
008015A	1" M BSPP Multi-Plane Swivel connected to 1" F BSPP Reconnectable Safe-T-Break® - Atex

### Spouts

MODEL NO.	DESCRIPTION
001473	Unleaded Spout without Flo-Stop®
010434	Unleaded Long Spout without Flo-Stop®
001471	Light Duty Diesel Spout without Flo-Stop® with StreamShaper®
010353	Light Duty Diesel Long Spout without Flo-Stop®
005215	Heavy Duty Diesel Spout with Flo-Stop®

### Accessories, Testing and Maintenance

MODEL NO.	DESCRIPTION
000385	1" M x ¾" F Reducer Bushing - NPT threads
001717	1" M x ¾" F Reducer Bushing - BSPP threads
000548	Hanging Hook for Unleaded and Light Duty Diesel Nozzles
003593	Hold Open Clip Kit
007089	Nozzle Service Kit
000397	Unleaded Spout Gauge



### Guards

MODEL NO.	DESCRIPTION
000554	Full Grip Guard
001804	Full Grip Reguard
005494	Lever Guard
000226	Mate Guard
007376	Mate Handle Guard
008180	POPD® EZH Nozzle Guard
008179	POPD® EZS Nozzle Guard
007999	POPD® H Clear Cover
008170	POPD® H Mate Guard
008183	POPD® H Full Grip Guard
008190	POPD® H Full Grip Reguard
006628	POPD® S Clear Cover
006655	POPD® S Full Grip Guard
007210	POPD® S Full Grip Reguard
008169	POPD® S Mate Guard

### Pressure/Vacuum Vents

MODEL NO.	DESCRIPTION
004620	2" Slip-On Pressure Vacuum Vent
004885	2" Thread-On Pressure Vacuum Vent - NPT
005885	2" Thread-On Pressure Vacuum Vent with Internal Screen - NPT

# 1GS Rebuilt Nozzles



**Automatic shut-off nozzle with polymer handguard for farm, 12V skid tanks, large pumps with or without air eliminators and commercial applications.**

- 1GS nozzle shuts off when the gas tank is full.
- Nozzle is equipped with unique Flo-Stop® device that shuts off the nozzle if it falls from the fill tank or raises above the horizontal.
- Not for use with gravity tanks.
- Not legal for retail dispensing applications.



## Rebuilt Unleaded Nozzles

MODEL NO.	DESCRIPTION	SHIPPING WEIGHT LBS (KG)
078604N <sup>^</sup>	with Three Notch Hold Open Clip and Hook	3.6 (1.6)
0786209N <sup>^</sup>	with Three Notch Hold Open Clip, Hook and Reducer Bushing	3.6 (1.6)

<sup>^</sup> NOT LISTED

## Rebuilt Light Duty Diesel Nozzles

MODEL NO.	DESCRIPTION	SHIPPING WEIGHT LBS (KG)
078603N <sup>^</sup>	with Three Notch Hold Open Clip and Hook	3.6 (1.6)
0786208N <sup>^</sup>	with Three Notch Hold Open Clip, Hook and Reducer Bushing	3.6 (1.6)

<sup>^</sup> NOT LISTED

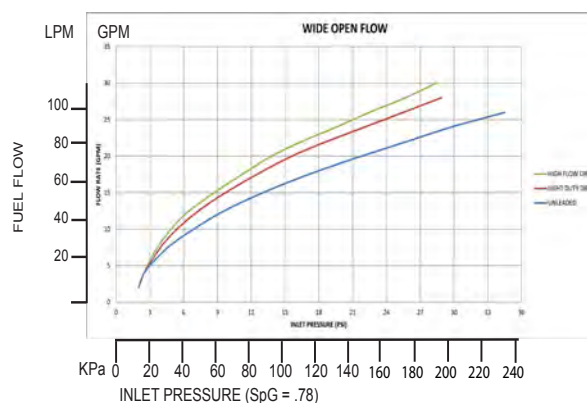
## Rebuilt Heavy Duty Diesel Nozzles

MODEL NO.	DESCRIPTION	SHIPPING WEIGHT LBS (KG)
078610N <sup>^</sup>	with Three Notch Hold Open Clip and Hook	3.6 (1.6)

<sup>^</sup> NOT LISTED

## CONSTRUCTION

Body	Die cast aluminum body with black hand guard
Seals	Fluorocarbon
Packing	Double o-ring seal protected by fiber reinforced Teflon®
Lever	One piece contoured steel with hard plastic cover
Inlet	1" / 25.4 mm NPT



WARNING: Cancer and Reproductive Harm - www.P65Warnings.ca.gov





# 1GS Rebuilt Nozzles

Automatic shut-off nozzle with polymer handguard for farm, 12V skid tanks, large pumps with or without air eliminators and commercial applications.

## Dimensions and System Options

### Safe-T-Breaks®

MODEL NO.	DESCRIPTION
002276	1" F x 1" F NPT Reconnectable Safe-T-Break®
005812	1" F x 1" F NPT Non-Reconnectable Safe-T-Break®
006301	1" F x 1" F NPT Non-Reconnectable PCC Safe-T-Break®
005231	1" F x 1" F NPT Low Pull Reconnectable Safe-T-Break®

### Swivels

MODEL NO.	DESCRIPTION
000087	1" M x 1" F NPT Multi-Plane Swivel
000095	1" M x 1" F NPT 70° Pump Swivel
003395	1" M x 1" F NPT Multi-Plane Restricted Swivel
000352	1" M x 3/4" F NPT Multi-Plane Swivel
000356	1" M x 3/4" F NPT Multi-Plane Swivel Anodized Black

### Swivel•Safe-T-Break® Combos

MODEL NO.	DESCRIPTION
005969	1" M NPT Multi-Plane Swivel connected to 1" F NPT Reconnectable Safe-T-Break®

### Spouts

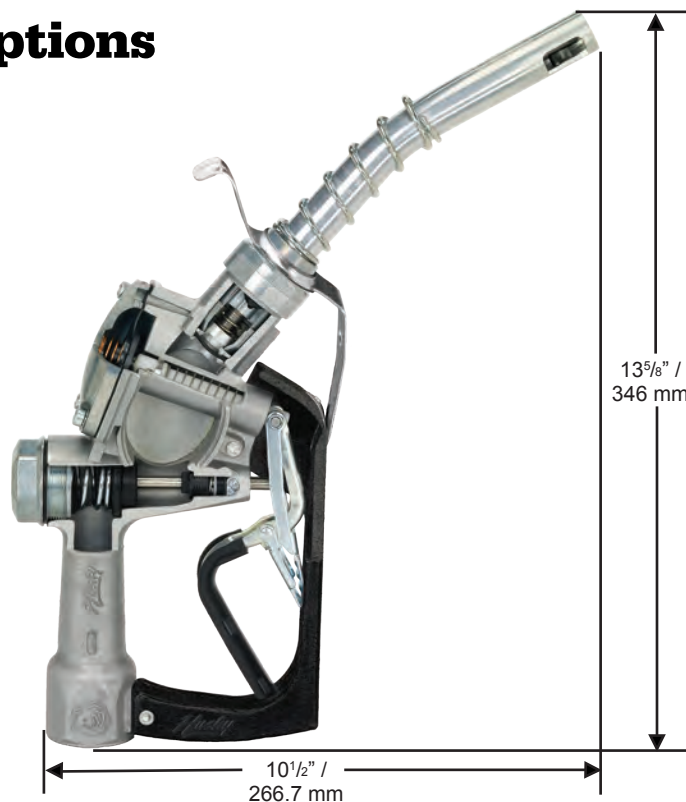
MODEL NO.	DESCRIPTION
001473	Unleaded Spout without Flo-Stop®
010434	Unleaded Long Spout without Flo-Stop®
001471	Light Duty Diesel Spout without Flo-Stop® with StreamShaper®
010353	Light Duty Diesel Long Spout without Flo-Stop®
005215	Heavy Duty Diesel Spout with Flo-Stop®

### Pressure/Vacuum Vents

MODEL NO.	DESCRIPTION
004620	2" Slip-On Pressure Vacuum Vent
004885	2" Thread-On Pressure Vacuum Vent - NPT
005885	2" Thread-On Pressure Vacuum Vent with Internal Screen - NPT

### Accessories, Testing and Maintenance

MODEL NO.	DESCRIPTION
000385	1" M x 3/4" F Reducer Bushing - NPT threads
000548	Hanging Hook for Unleaded and Light Duty Diesel Nozzles
003593	Hold Open Clip Kit
007089	Nozzle Service Kit
000397	Unleaded Spout Gauge



### Guards

MODEL NO.	DESCRIPTION
000554	Full Grip Guard
001804	Full Grip Reguard
005494	Lever Guard
000226	Mate Guard
007376	Mate Handle Guard
008180	POPD® EZH Nozzle Guard
008179	POPD® EZS Nozzle Guard
007999	POPD® H Clear Cover
008170	POPD® H Mate Guard
008183	POPD® H Full Grip Guard
008190	POPD® H Full Grip Reguard
006628	POPD® S Clear Cover
006655	POPD® S Full Grip Guard
007210	POPD® S Full Grip Reguard
008169	POPD® S Mate Guard



2325 Husky Way • Pacific, MO 63069  
 (800) 325-3558 • Fax (636) 825-7300  
[www.husky.com](http://www.husky.com) • [sales@husky.com](mailto:sales@husky.com)

MADE IN THE U.S.A.



# XFS Nozzles



Automatic shut-off nozzle for farm, 12V skid tanks and consumer pump applications.

- Strong, improved flow - up to 18 gpm / 68.1 Lpm.
- Dispenses 10 gpm / 37.8 Lpm at only 5.6 psi / 0.38 bar (unleaded nozzle).
- Nozzle is equipped with a unique Flo-Stop® device that shuts off the nozzle if it falls from the fill tank or is raised above horizontal.
- Unleaded nozzle includes StreamShaper® to reduce turbulence for straighter fuel flow and less splash back spillage.
- Has built-in hook and fits “holster lock” of skid tank pumps.
- Not for use with gravity tanks.
- Not legal for retail dispensing applications.



### New Unleaded Nozzles with NPT

MODEL NO.	DESCRIPTION	SHIPPING WEIGHT LBS (KG)
337004N <sup>^</sup>	with Hold Open Clip and Hook	3.0 (1.3)
337008	without Hold Open Clip and Hook	3.0 (1.3)
503404N <sup>^</sup>	with Hold Open Clip without Hook	3.0 (1.3)

<sup>^</sup> NOT LISTED

### New Unleaded Nozzles with BSPP

MODEL NO.	DESCRIPTION	SHIPPING WEIGHT LBS (KG)
337016N <sup>^</sup>	with Hold Open Clip and Hook	3.0 (1.3)
503416N <sup>^</sup>	with Hold Open Clip, without Hook	2.9 (1.3)

<sup>^</sup> NOT LISTED

### New Light Duty Diesel Nozzles with NPT

MODEL NO.	DESCRIPTION	SHIPPING WEIGHT LBS (KG)
337003N <sup>^</sup>	with Hold Open Clip and Hook	3.2 (1.4)
337007	without Hold Open Clip and Hook	3.2 (1.4)
503403N <sup>^</sup>	with Hold Open Clip without Hook	3.6 (1.6)

<sup>^</sup> NOT LISTED

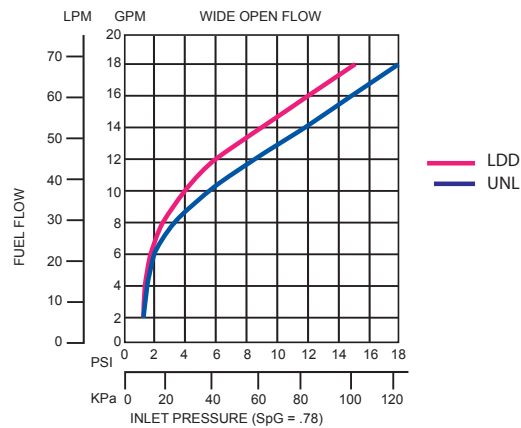
### New Light Duty Diesel Nozzles with BSPP

MODEL NO.	DESCRIPTION	SHIPPING WEIGHT LBS (KG)
337015N <sup>^</sup>	with Hold Open Clip and Hook	2.9 (1.3)
503415N <sup>^</sup>	with Hold Open Clip without Hook	2.9 (1.3)

<sup>^</sup> NOT LISTED

### Construction

Body	Aluminum
Seals	Fluorocarbon
Packing	Double o-ring seal protected by fiber reinforced Teflon®
Lever	One piece contoured steel with hard plastic cover
Inlet	¾" / 19 mm NPT & BSPP



WARNING: Cancer and Reproductive Harm - www.P65Warnings.ca.gov

Automatic shut-off nozzle for farm, 12V skid tanks and consumer pump applications.

## Dimensions and System Options

### Safe-T-Breaks®

MODEL NO.	DESCRIPTION
003360	¾" F x ¾" F NPT Reconnectable Safe-T-Break®
002273	¾" F x ¾" F NPT Non-Reconnectable Safe-T-Break®
006130	¾" F x ¾" F NPT Non-Reconnectable PCC Safe-T-Break®
005230	¾" F x ¾" F NPT Low Pull Reconnectable Safe-T-Break®
003385	¾" F x ¾" F BSPP Reconnectable Safe-T-Break®
003385A	¾" F x ¾" F BSPP Reconnectable Safe-T-Break® - Atex
002774	¾" F x ¾" F BSPP Non-Reconnectable Safe-T-Break®
002774A	¾" F x ¾" F BSPP Non-Reconnectable Safe-T-Break® - Atex

### Swivels

MODEL NO.	DESCRIPTION
000350	¾" M x ¾" F NPT Multi-Plane Swivel
000355	¾" M x ¾" F NPT Multi-Plane Swivel Anodized Black
003895	¾" M x ¾" F NPT Inline Swivel
002272	¾" M x ¾" F NPT 90° Pump Swivel
002950	¾" M x ¾" F NPT Multi-Plane Restricted Swivel
003590	¾" M x ¾" F BSPP Multi-Plane Swivel
003590A	¾" M x ¾" F BSPP Multi-Plane Swivel - Atex
002771	¾" M x ¾" F BSPP 90° Pump Swivel

### Swivel•Safe-T-Break® Combos

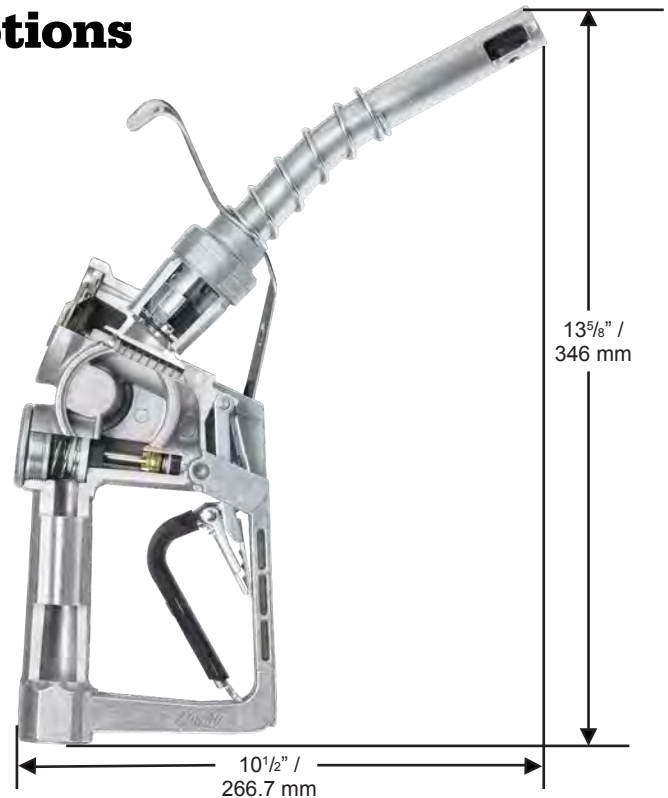
MODEL NO.	DESCRIPTION
006310	¾" M NPT Multi-Plane Swivel connected to ¾" F NPT Reconnectable Safe-T-Break®
007085	¾" M BSPP Multi-Plane Swivel connected to ¾" F BSPP Reconnectable Safe-T-Break®
007085A	¾" M BSPP Multi-Plane Swivel connected to ¾" F BSPP Reconnectable Safe-T-Break® - Atex

### Spouts

MODEL NO.	DESCRIPTION
003356	Unleaded Spout with Hanging Hook without Flo-Stop®
001473	Unleaded Spout without Flo-Stop®
010434	Unleaded Long Spout without Flo-Stop®
003358	Light Duty Diesel with Hanging Hook without Flo-Stop®
001471	Light Duty Diesel Spout without Flo-Stop® with StreamShaper®
010353	Light Duty Diesel Long Spout without Flo-Stop®

### Accessories, Testing and Maintenance

MODEL NO.	DESCRIPTION
003593	Hold Open Clip Kit
007089	Nozzle Service Kit
000397	Unleaded Spout Gauge



### Guards

MODEL NO.	DESCRIPTION
003376	Black Handle Cover
004145	Full Grip Guard
001806	Full Grip Reguard
005494	Lever Guard
003440	Mate Easy-on Package
003795	Mate Guard
008176	POPD® EZH Nozzle Guard
008175	POPD® EZS Nozzle Guard
007999	POPD® H Clear Cover
008166	POPD® H Mate Guard
008185	POPD® H Full Grip Guard
008192	POPD® H Full Grip Reguard
006628	POPD® S Clear Cover
006665	POPD® S Full Grip Guard
007205	POPD® S Full Grip Reguard
008165	POPD® S Mate Guard
001506	Protection Package
001809	Reguard Protection Package
001808	Waffle Splash Guard

# 1GS CW Nozzles



**Automatic shut-off nozzle with polymer handguard for farm, 12V skid tanks, large pumps with or without air eliminators and commercial applications.**

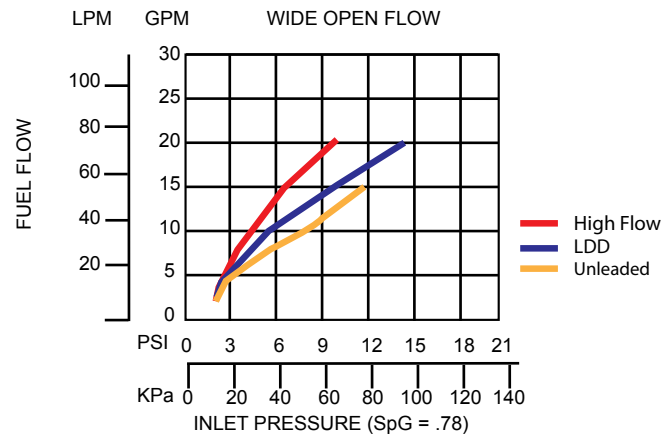
- 1GS nozzle shuts off when the gas tank is full.
- Nozzle is equipped with unique Flo-Stop® device that shuts off the nozzle if it falls from the fill tank or raises above the horizontal.
- Not for use with gravity tanks.
- Not legal for retail dispensing applications.
- Contains a poppet disc seal, rated at -40° F/C to prevent fuel leakage from the main seal in extreme cold weather.

## New Heavy Duty Diesel Nozzles with NPT

MODEL NO.	DESCRIPTION	SHIPPING WEIGHT LBS (KG)
1096210N <sup>^</sup>	with Three Notch Hold Open Clip and Hook	3.6 (1.6)
		<sup>^</sup> NOT LISTED

## Construction

Body	Aluminum
Seals	Fluorocarbon
Packing	Double o-ring seal protected by fiber reinforced Teflon®
Lever	One piece contoured steel with hard plastic cover
Inlet	1" / 25.4 mm NPT



WARNING: Cancer and Reproductive Harm - www.P65Warnings.ca.gov



# 1GS CW Nozzles

Automatic shut-off nozzle with polymer handguard for farm, 12V skid tanks, large pumps with or without air eliminators and commercial applications.

## Dimensions and System Options

### Safe-T-Breaks®

MODEL NO.	DESCRIPTION
002276	1" F x 1" F NPT Reconnectable Safe-T-Break®
005812	1" F x 1" F NPT Non-Reconnectable Safe-T-Break®
006301	1" F x 1" F NPT Non-Reconnectable PCC Safe-T-Break®
005231	1" F x 1" F NPT Low Pull Reconnectable Safe-T-Break®
003076	1" F x 1" F BSPP Reconnectable Safe-T-Break®
003076A	1" F x 1" F BSPP Reconnectable Safe-T-Break® - Atex
006914	1" F x 1" F BSPP Non-Reconnectable Safe-T-Break®

### Swivels

MODEL NO.	DESCRIPTION
000087	1" M x 1" F NPT Multi-Plane Swivel
000095	1" M x 1" F NPT 70° Pump Swivel
003395	1" M x 1" F NPT Multi-Plane Restricted Swivel
000352	1" M x 3/4" F NPT Multi-Plane Swivel
000356	1" M x 3/4" F NPT Multi-Plane Swivel Anodized Black
003306	1" M x 1" F BSPP Multi-Plane Swivel
003306A	1" M x 1" F BSPP Multi-Plane Swivel - Atex

### Swivel•Safe-T-Break® Combos

MODEL NO.	DESCRIPTION
005969	1" M NPT Multi-Plane Swivel connected to 1" F NPT Reconnectable Safe-T-Break®
008015	1" M BSPP Multi-Plane Swivel connected to 1" F BSPP Reconnectable Safe-T-Break®
008015A	1" M BSPP Multi-Plane Swivel connected to 1" F BSPP Reconnectable Safe-T-Break® - Atex

### Spouts

MODEL NO.	DESCRIPTION
001473	Unleaded Spout without Flo-Stop®
010434	Unleaded Long Spout without Flo-Stop®
001471	Light Duty Diesel Spout without Flo-Stop® with StreamShaper®
010353	Light Duty Diesel Long Spout without Flo-Stop®
005215	Heavy Duty Diesel Spout with Flo-Stop®

### Accessories, Testing and Maintenance

MODEL NO.	DESCRIPTION
001717	1" M x 3/4" F Reducer Bushing - BSPP Threads
000385	1" M x 3/4" F Reducer Bushing - NPT Threads
000548	Hanging Hook for Unleaded and Light Duty Diesel Nozzles
003593	Hold Open Clip Kit
007089	Nozzle Service Kit
000397	Unleaded Spout Gauge



### Pressure/Vacuum Vents

MODEL NO.	DESCRIPTION
004620	2" Slip-On Pressure Vacuum Vent
004885	2" Thread-On Pressure Vacuum Vent - NPT
005885	2" Thread-On Pressure Vacuum Vent with Internal Screen - NPT

### Guards

MODEL NO.	DESCRIPTION
000554	Full Grip Guard
001804	Full Grip Reguard
005494	Lever Guard
000226	Mate Guard
007376	Mate Handle Guard
008180	POPD® EZH Nozzle Guard
008179	POPD® EZS Nozzle Guard
007999	POPD® H Clear Cover
008170	POPD® H Mate Guard
008183	POPD® H Full Grip Guard
008190	POPD® H Full Grip Reguard
006628	POPD® S Clear Cover
006655	POPD® S Full Grip Guard
007210	POPD® S Full Grip Reguard
008169	POPD® S Mate Guard



2325 Husky Way • Pacific, MO 63069  
 (800) 325-3558 • Fax (636) 825-7300  
[www.husky.com](http://www.husky.com) • [sales@husky.com](mailto:sales@husky.com)

MADE IN THE U.S.A.



# XFS Rebuilt Nozzles



Automatic shut-off nozzle for farm, 12V skid tanks and consumer pump applications.

- Strong, improved flow - up to 18 gpm / 68.1 Lpm.
- Dispenses 10 gpm / 37.8 Lpm at only 5.6 psi / 0.38 bar (unleaded nozzle).
- Nozzle is equipped with a unique Flo-Stop® device that shuts off the nozzle if it falls from the fill tank or is raised above horizontal.
- Unleaded nozzle includes StreamShaper® to reduce turbulence for straighter fuel flow and less splash back spillage.
- Has built-in hook and fits "holster lock" of skid tank pumps.
- Not for use with gravity tanks.
- Not legal for retail dispensing applications.



## Rebuilt Unleaded Nozzles with NPT

MODEL NO.	DESCRIPTION	SHIPPING WEIGHT LBS (KG)
504304N^	with Hold Open Clip and Hook	3.1 (1.4)
503604N^	with Hold Open Clip without Hook	3.1 (1.4)

^ NOT LISTED

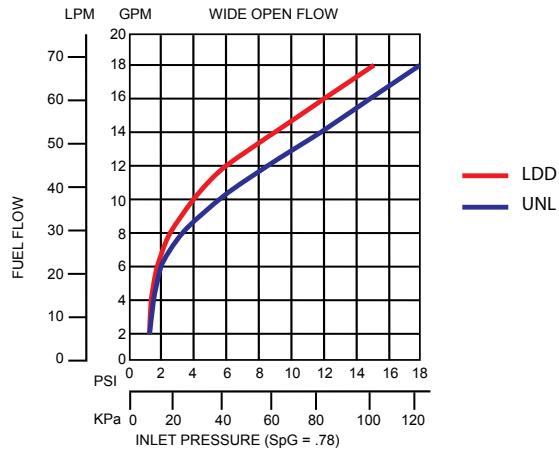
## Rebuilt Light Duty Diesel Nozzles with NPT

MODEL NO.	DESCRIPTION	SHIPPING WEIGHT LBS (KG)
504303N^	with Hold Open Clip and Hook	3.2 (1.4)

^ NOT LISTED

## Construction

Body	Aluminum
Seals	Fluorocarbon
Packing	Double o-ring seal protected by fiber reinforced Teflon®
Lever	One piece contoured steel with hard plastic cover
Inlet	¾" / 19 mm NPT



WARNING: Cancer and Reproductive Harm - www.P65Warnings.ca.gov



**Husky**

GENERAL FUELING PRODUCTS

# XFS Rebuilt Nozzles

Automatic shut-off nozzle for farm, 12V skid tanks and consumer pump applications.

## Dimensions and System Options

### Safe-T-Breaks®

MODEL NO.	DESCRIPTION
003360	¾" F x ¾" F NPT Reconnectable Safe-T-Break®
002273	¾" F x ¾" F NPT Non-Reconnectable Safe-T-Break®
006130	¾" F x ¾" F NPT Non-Reconnectable PCC Safe-T-Break®
005230	¾" F x ¾" F NPT Low Pull Reconnectable Safe-T-Break®
003385	¾" F x ¾" F BSPP Reconnectable Safe-T-Break®
003385A	¾" F x ¾" F BSPP Reconnectable Safe-T-Break® - Atex
002774	¾" F x ¾" F BSPP Non-Reconnectable Safe-T-Break®
002774A	¾" F x ¾" F BSPP Non-Reconnectable Safe-T-Break® - Atex

### Swivels

MODEL NO.	DESCRIPTION
000350	¾" M x ¾" F NPT Multi-Plane Swivel
000355	¾" M x ¾" F NPT Multi-Plane Swivel Anodized Black
003895	¾" M x ¾" F NPT Inline Swivel
002272	¾" M x ¾" F NPT 90° Pump Swivel
002950	¾" M x ¾" F NPT Multi-Plane Restricted Swivel
003590	¾" M x ¾" F BSPP Multi-Plane Swivel
003590A	¾" M x ¾" F BSPP Multi-Plane Swivel - Atex
002771	¾" M x ¾" F BSPP 90° Pump Swivel
002771A	¾" M x ¾" F BSPP 90° Pump Swivel - Atex

### Swivel•Safe-T-Break® Combos

MODEL NO.	DESCRIPTION
006310	¾" M NPT Multi-Plane Swivel connected to ¾" F NPT Reconnectable Safe-T-Break®
007085	¾" M BSPP Multi-Plane Swivel connected to ¾" F BSPP Reconnectable Safe-T-Break®
007085A	¾" M BSPP Multi-Plane Swivel connected to ¾" F BSPP Reconnectable Safe-T-Break® - Atex

### Spouts

MODEL NO.	DESCRIPTION
003356	Unleaded Spout with Hanging Hook without Flo-Stop®
001473	Unleaded Spout without Flo-Stop®
010434	Unleaded Long Spout without Flo-Stop®
003358	Light Duty Diesel with Hanging Hook without Flo-Stop®
001471	Light Duty Diesel Spout without Flo-Stop® with StreamShaper®
010353	Light Duty Diesel Long Spout without Flo-Stop®

### Accessories, Testing and Maintenance

MODEL NO.	DESCRIPTION
003593	Hold Open Clip Kit
007089	Nozzle Service Kit
000397	Unleaded Spout Gauge



### Guards

MODEL NO.	DESCRIPTION
003376	Black Handle Cover
004145	Full Grip Guard
001806	Full Grip Reguard
005494	Lever Guard
003440	Mate Easy-on Package
003795	Mate Guard
008176	POPD® EZH Nozzle Guard
008175	POPD® EZS Nozzle Guard
007999	POPD® H Clear Cover
008166	POPD® H Mate Guard
008185	POPD® H Full Grip Guard
008192	POPD® H Full Grip Reguard
006628	POPD® S Clear Cover
006665	POPD® S Full Grip Guard
007205	POPD® S Full Grip Reguard
008165	POPD® S Mate Guard
001506	Protection Package
001809	Reguard Protection Package
001808	Waffle Splash Guard



2325 Husky Way • Pacific, MO 63069  
 (800) 325-3558 • Fax (636) 825-7300  
[www.husky.com](http://www.husky.com) • [sales@husky.com](mailto:sales@husky.com)

MADE IN THE U.S.A.





# 1GS Rebuilt Nozzles



**Automatic shut-off nozzle with metal handguard for farm, 12V skid tanks, large pumps with or without air eliminators and commercial applications.**

- 1GS nozzle shuts off when the gas tank is full.
- Nozzle is equipped with unique Flo-Stop® device that shuts off the nozzle if it falls from the fill tank or raises above the horizontal.
- Not for use with gravity tanks.
- Heavy duty, long lasting metal handguard.
- Not legal for retail dispensing applications.



### Rebuilt Unleaded Nozzles with NPT

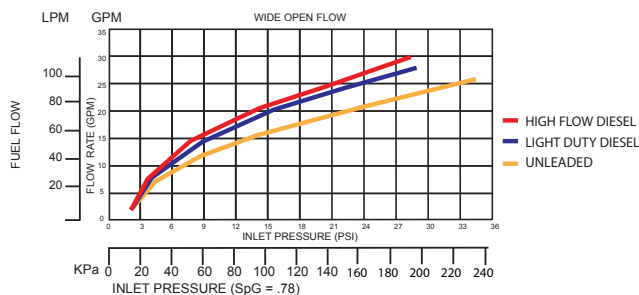
MODEL NO.	DESCRIPTION	SHIPPING WEIGHT LBS (KG)
696559N <sup>^</sup>	with Three Notch Hold Open Clip, Hook and Reducer Bushing	3.6 (1.6)
		<sup>^</sup> NOT LISTED

### Rebuilt Light Duty Diesel Nozzles with NPT

MODEL NO.	DESCRIPTION	SHIPPING WEIGHT LBS (KG)
6965208N <sup>^</sup>	with Three Notch Hold Open Clip, Hook and Reducer Bushing	3.6 (1.6)
		<sup>^</sup> NOT LISTED

### Construction

Body	Aluminum
Seals	Fluorocarbon
Packing	Double o-ring seal protected by fiber reinforced Teflon®
Lever	One piece contoured steel with hard plastic cover
Inlet	1" / 25.4 mm NPT & BSPP



WARNING: Cancer and Reproductive Harm - [www.P65Warnings.ca.gov](http://www.P65Warnings.ca.gov)

**Husky**

GENERAL FUELING PRODUCTS

# 1GS Rebuilt Nozzles

Automatic shut-off nozzle with metal handguard for farm, 12V skid tanks, large pumps with or without air eliminators and commercial applications.

## Dimensions and System Options

### Safe-T-Breaks®

MODEL NO.	DESCRIPTION
002276	1" F x 1" F NPT Reconnectable Safe-T-Break®
005812	1" F x 1" F NPT Non-Reconnectable Safe-T-Break®
006301	1" F x 1" F NPT Non-Reconnectable PCC Safe-T-Break®
005231	1" F x 1" F NPT Low Pull Reconnectable Safe-T-Break®
003076	1" F x 1" F BSPP Reconnectable Safe-T-Break®
003076A	1" F x 1" F BSPP Reconnectable Safe-T-Break® - Atex
006914	1" F x 1" F BSPP Non-Reconnectable Safe-T-Break®

### Swivels

MODEL NO.	DESCRIPTION
000087	1" M x 1" F NPT Multi-Plane Swivel
000095	1" M x 1" F NPT 70° Pump Swivel
003395	1" M x 1" F NPT Multi-Plane Restricted Swivel
000352	1" M x 3/4" F NPT Multi-Plane Swivel
000356	1" M x 3/4" F NPT Multi-Plane Swivel Anodized Black
003306	1" M x 1" F BSPP Multi-Plane Swivel
003306A	1" M x 1" F BSPP Multi-Plane Swivel - Atex

### Swivel•Safe-T-Break® Combos

MODEL NO.	DESCRIPTION
005969	1" M NPT Multi-Plane Swivel connected to 1" F NPT Reconnectable Safe-T-Break®
008015	1" M BSPP Multi-Plane Swivel connected to 1" F BSPP Reconnectable Safe-T-Break®
008015A	1" M BSPP Multi-Plane Swivel connected to 1" F BSPP Reconnectable Safe-T-Break® - Atex

### Spouts

MODEL NO.	DESCRIPTION
001473	Unleaded Spout without Flo-Stop®
010434	Unleaded Long Spout without Flo-Stop®
001471	Light Duty Diesel Spout without Flo-Stop® with StreamShaper®
010353	Light Duty Diesel Long Spout without Flo-Stop®
005215	Heavy Duty Diesel Spout with Flo-Stop®

### Accessories, Testing and Maintenance

MODEL NO.	DESCRIPTION
000385	1" M x 3/4" F Reducer Bushing - NPT threads
001717	1" M x 3/4" F Reducer Bushing - BSPP threads
000548	Hanging Hook for Unleaded and Light Duty Diesel Nozzles
003593	Hold Open Clip Kit
007089	Nozzle Service Kit
000397	Unleaded Spout Gauge



### Guards

MODEL NO.	DESCRIPTION
000554	Full Grip Guard
001804	Full Grip Reguard
005494	Lever Guard
000226	Mate Guard
007376	Mate Handle Guard
008180	POPD® EZH Nozzle Guard
008179	POPD® EZS Nozzle Guard
007999	POPD® H Clear Cover
008170	POPD® H Mate Guard
008183	POPD® H Full Grip Guard
008190	POPD® H Full Grip Reguard
006628	POPD® S Clear Cover
006655	POPD® S Full Grip Guard
007210	POPD® S Full Grip Reguard
008169	POPD® S Mate Guard

### Pressure/Vacuum Vents

MODEL NO.	DESCRIPTION
004620	2" Slip-On Pressure Vacuum Vent
004885	2" Thread-On Pressure Vacuum Vent - NPT
005885	2" Thread-On Pressure Vacuum Vent with Internal Screen - NPT



2325 Husky Way • Pacific, MO 63069  
 (800) 325-3558 • Fax (636) 825-7300  
[www.husky.com](http://www.husky.com) • [sales@husky.com](mailto:sales@husky.com)

MADE IN THE U.S.A.



# 1GSS Nozzles



**Pressure activated, automatic shut-off nozzle with polymer handguard for farm, 12V skid tanks, large pumps with or without air eliminators and commercial applications.**

- 1GSS nozzle shuts off when:
  - the pump shuts off.
  - the gas tank is full.
  - the lever is opened before the pump is turned on.
  - the leak detector has not completed the test cycle.
- Not legal for retail dispensing applications.
- Stainless steel reinforced spout bushing keeps spout tip round and acts as a captive fastener to prevent tip-end sensor damage.
- *StreamShaper*® reduces turbulence for straighter fuel flow and less splash back spillage.
- Comes standard with smooth full grip guard.
- Nozzle is equipped with unique Flo-Stop® device that shuts off the nozzle if it falls from the fill tank or raises above the horizontal.
- Not for use with gravity tanks.



### New Unleaded Nozzles with NPT

MODEL NO.	DESCRIPTION	SHIPPING WEIGHT LBS (KG)
1216504	with Three Notch Hold Open Clip and Hook	3.6 (1.6)

### New Light Duty Diesel Nozzles with NPT

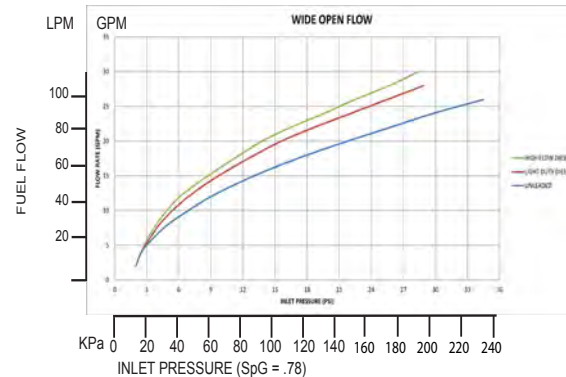
MODEL NO.	DESCRIPTION	SHIPPING WEIGHT LBS (KG)
1216503	with Three Notch Hold Open Clip and Hook	3.6 (1.6)

### New Heavy Duty Diesel Nozzles with NPT

MODEL NO.	DESCRIPTION	SHIPPING WEIGHT LBS (KG)
1216510	with Three Notch Hold Open Clip and Hook without Flo-Stop®	3.6 (1.6)

### Construction

Body	Die cast aluminum body with high impact polymer hand guard
Seals	Fluorocarbon
Packing	Double o-ring seal protected by fiber reinforced Teflon®
Lever	One piece contoured steel with hard plastic cover
Inlet	1" / 25.4 mm NPT



WARNING: Cancer and Reproductive Harm - www.P65Warnings.ca.gov

Pressure activated, automatic shut-off nozzle with polymer handguard for farm, 12V skid tanks, large pumps with or without air eliminators and commercial applications.

## Dimensions and System Options

### Safe-T-Breaks®

MODEL NO.	DESCRIPTION
002276	1" F x 1" F NPT Reconnectable Safe-T-Break®
005812	1" F x 1" F NPT Non-Reconnectable Safe-T-Break®
006301	1" F x 1" F NPT Non-Reconnectable PCC Safe-T-Break®
005231	1" F x 1" F NPT Low Pull Reconnectable Safe-T-Break®
003076	1" F x 1" F BSPP Reconnectable Safe-T-Break®
003076A	1" F x 1" F BSPP Reconnectable Safe-T-Break® - Atex
006914	1" F x 1" F BSPP Non-Reconnectable Safe-T-Break®

### Swivels

MODEL NO.	DESCRIPTION
000087	1" M x 1" F NPT Multi-Plane Swivel
000095	1" M x 1" F NPT 70° Pump Swivel
003395	1" M x 1" F NPT Multi-Plane Restricted Swivel
000352	1" M x 3/4" F NPT Multi-Plane Swivel
000356	1" M x 3/4" F NPT Multi-Plane Swivel Anodized Black
003306	1" M x 1" F BSPP Multi-Plane Swivel
003306A	1" M x 1" F BSPP Multi-Plane Swivel - Atex

### Swivel•Safe-T-Break® Combos

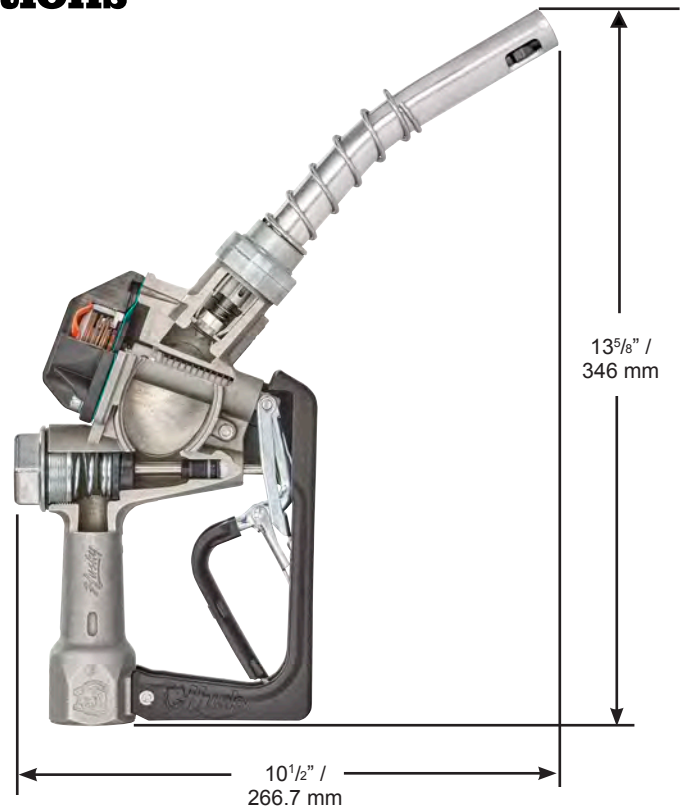
MODEL NO.	DESCRIPTION
005969	1" M NPT Multi-Plane Swivel connected to 1" F NPT Reconnectable Safe-T-Break®
008015	1" M BSPP Multi-Plane Swivel connected to 1" F BSPP Reconnectable Safe-T-Break®
008015A	1" M BSPP Multi-Plane Swivel connected to 1" F BSPP Reconnectable Safe-T-Break® - Atex

### Spouts

MODEL NO.	DESCRIPTION
001473	Unleaded Spout without Flo-Stop®
010434	Unleaded Long Spout without Flo-Stop®
001471	Light Duty Diesel Spout without Flo-Stop® with StreamShaper®
010353	Light Duty Diesel Long Spout without Flo-Stop®
005215	Heavy Duty Diesel Spout with Flo-Stop®

### Accessories, Testing and Maintenance

MODEL NO.	DESCRIPTION
000385	1" M x 3/4" F Reducer Bushing - NPT threads
001717	1" M x 3/4" F Reducer Bushing - BSPP threads
000548	Hanging Hook for Unleaded and Light Duty Diesel Nozzles
003593	Hold Open Clip Kit
007089	Nozzle Service Kit
000397	Unleaded Spout Gauge



### Guards

MODEL NO.	DESCRIPTION
000554	Full Grip Guard
001804	Full Grip Reguard
005494	Lever Guard
000226	Mate Guard
007376	Mate Handle Guard
008180	POPD® EZH Nozzle Guard
008179	POPD® EZS Nozzle Guard
007999	POPD® H Clear Cover
008170	POPD® H Mate Guard
008183	POPD® H Full Grip Guard
008190	POPD® H Full Grip Reguard
006628	POPD® S Clear Cover
006655	POPD® S Full Grip Guard
007210	POPD® S Full Grip Reguard
008169	POPD® S Mate Guard

### Pressure/Vacuum Vents

MODEL NO.	DESCRIPTION
004620	2" Slip-On Pressure Vacuum Vent
004885	2" Thread-On Pressure Vacuum Vent - NPT
005885	2" Thread-On Pressure Vacuum Vent with Internal Screen - NPT

# 1GSS Nozzles



**Pressure activated, automatic shut-off nozzle with metal handguard for farm, 12V skid tanks, large pumps with or without air eliminators and commercial applications.**

- 1GSS nozzle shuts off when:
  - the pump shuts off.
  - the gas tank is full.
  - the lever is opened before the pump is turned on.
  - the leak detector has not completed the test cycle.
- Not legal for retail dispensing applications.
- Stainless steel spout bushing keeps spout tip round and acts as a captive fastener to prevent tip-end sensor damage.
- *StreamShaper*® reduces turbulence for straighter fuel flow and less splash back spillage.
- Comes standard with smooth full grip guard.
- Nozzle is equipped with unique Flo-Stop® device that shuts off the nozzle if it falls from the fill tank or raises above the horizontal.
- Not for use with gravity tanks.



### Unleaded Nozzles with NPT

MODEL NO.	DESCRIPTION	SHIPPING WEIGHT LBS (KG)
1216804	with Three Notch Hold Open Clip and Hook	3.6 (1.6)

### Light Duty Diesel Nozzles with NPT

MODEL NO.	DESCRIPTION	SHIPPING WEIGHT LBS (KG)
1216803	with Three Notch Hold Open Clip and Hook	3.6 (1.6)

### Heavy Duty Diesel Nozzles with NPT

MODEL NO.	DESCRIPTION	SHIPPING WEIGHT LBS (KG)
1216810	with Three Notch Hold Open Clip and Hook	3.6 (1.6)

### Construction

Body	Die cast aluminum body with metal hand guard
Seals	Fluorocarbon
Packing	Double o-ring seal protected by fiber reinforced Teflon®
Lever	One piece contoured steel with hard plastic cover
Inlet	1" / 25.4 mm NPT & BSPP



WARNING: Cancer and Reproductive Harm - www.P65Warnings.ca.gov



Pressure activated, automatic shut-off nozzle with metal handguard for farm, 12V skid tanks, large pumps with or without air eliminators and commercial applications.

## Dimensions and System Options

### Safe-T-Breaks®

MODEL NO.	DESCRIPTION
002276	1" F x 1" F NPT Reconnectable Safe-T-Break®
005812	1" F x 1" F NPT Non-Reconnectable Safe-T-Break®
006301	1" F x 1" F NPT Non-Reconnectable PCC Safe-T-Break®
005231	1" F x 1" F NPT Low Pull Reconnectable Safe-T-Break®
003076	1" F x 1" F BSPP Reconnectable Safe-T-Break®
003076A	1" F x 1" F BSPP Reconnectable Safe-T-Break® - ATEX
006914	1" F x 1" F BSPP Non-Reconnectable Safe-T-Break®

### Swivels

MODEL NO.	DESCRIPTION
000087	1" M x 1" F NPT Multi-Plane Swivel
000095	1" M x 1" F NPT 70° Pump Swivel
003395	1" M x 1" F NPT Multi-Plane Restricted Swivel
000352	1" M x ¾" F NPT Multi-Plane Swivel
000356	1" M x ¾" F NPT Multi-Plane Swivel Anodized Black
003306	1" M x 1" F BSPP Multi-Plane Swivel
003306A	1" M x 1" F BSPP Multi-Plane Swivel - ATEX

### Swivel•Safe-T-Break® Combos

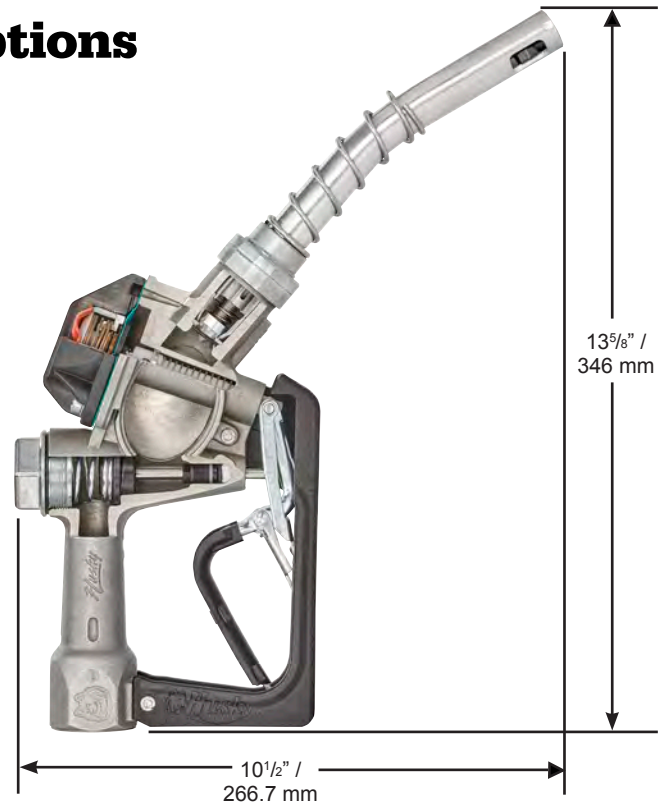
MODEL NO.	DESCRIPTION
005969	1" M NPTF Multi-Plane Swivel connected to 1" F NPT Reconnectable Safe-T-Break®
008015	1" M BSPP Multi-Plane Swivel connected to 1" F BSPP Reconnectable Safe-T-Break®
008015A	1" M BSPP Multi-Plane Swivel connected to 1" F BSPP Reconnectable Safe-T-Break® - ATEX

### Spouts

MODEL NO.	DESCRIPTION
001473	Unleaded Spout without Flo-Stop®
010434	Unleaded Long Spout without Flo-Stop®
001471	Light Duty Diesel Spout without Flo-Stop® with StreamShaper®
010353	Light Duty Diesel Long Spout without Flo-Stop®
005215	Heavy Duty Diesel Spout with Flo-Stop®

### Accessories, Testing and Maintenance

MODEL NO.	DESCRIPTION
007089	Nozzle Service Kit
003593	Hold Open Clip Kit
000385	1" M x ¾" F Reducer Bushing - NPT Threads
001717	1" M x ¾" F Reducer Bushing - BSPP Threads
000397	Unleaded Spout Gauge
000548	Hanging Hook for Unleaded and Light Duty Diesel Nozzles



### Guards

MODEL NO.	DESCRIPTION
000554	Full Grip Guard
001804	Full Grip Reguard
005494	Lever Guard
000226	Mate Guard
007376	Mate Handle Guard
008180	POPD® EZH Nozzle Guard
008179	POPD® EZS Nozzle Guard
007999	POPD® H Clear Cover
008170	POPD® H Mate Guard
008183	POPD® H Full Grip Guard
008190	POPD® H Full Grip Reguard
006628	POPD® S Clear Cover
006655	POPD® S Full Grip Guard
007210	POPD® S Full Grip Reguard
008169	POPD® S Mate Guard

### Pressure/Vacuum Vents

MODEL NO.	DESCRIPTION
004620	2" Slip-On Pressure Vacuum Vent
004885	2" Thread-On Pressure Vacuum Vent - NPT
005885	2" Thread-On Pressure Vacuum Vent with Internal Screen - NPT



# 1GSS CW Nozzles



**Pressure activated, automatic shut-off nozzle with polymer handguard for farm, 12V skid tanks, large pumps with or without air eliminators and commercial applications.**

- 1GSS nozzle shuts off when:
  - the pump shuts off.
  - the gas tank is full.
  - the lever is opened before the pump is turned on.
  - the leak detector has not completed the test cycle.
- Contains a poppet disc seal, rated at -40° F/C to prevent fuel leakage from the main seal in extreme cold weather.
- Nozzle is equipped with unique Flo-Stop® device that shuts off the nozzle if it falls from the fill tank or raises above the horizontal.
- Not for use with gravity tanks.
- Not legal for retail dispensing applications.
- Stainless steel reinforced spout bushing keeps spout tip round and acts as a captive fastener to prevent tip-end sensor damage.
- *StreamShaper*® reduces turbulence for straighter fuel flow and less splash back spillage.
- Comes standard with smooth full grip guard.

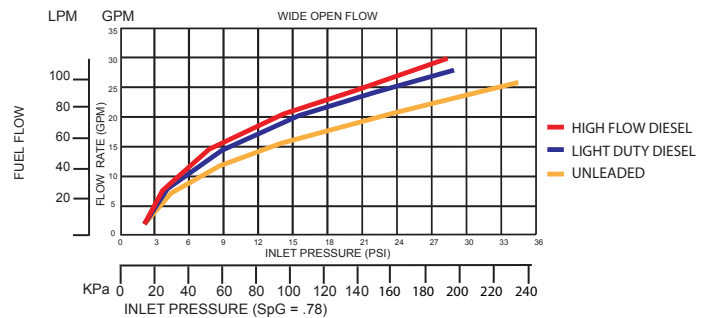


## New Heavy Duty Diesel Nozzles with NPT

MODEL NO.	DESCRIPTION	SHIPPING WEIGHT LBS (KG)
1399510	with Three Notch Hold Open Clip and Hook without Flo-Stop®	3.6 (1.6)

## Construction

Body	Die cast aluminum body with high impact polymer hand guard
Seals	Fluorocarbon
Packing	Double o-ring seal protected by fiber reinforced Teflon®
Lever	One piece contoured steel with hard plastic cover
Inlet	1" / 25.4 mm NPT



WARNING: Cancer and Reproductive Harm - www.P65Warnings.ca.gov

**Husky**

GENERAL FUELING PRODUCTS

# 1GSS CW Nozzles

Pressure activated, automatic shut-off nozzle with polymer handguard for farm, 12V skid tanks, large pumps with or without air eliminators and commercial applications.

## Dimensions and System Options

### Safe-T-Breaks®

MODEL NO.	DESCRIPTION
002276	1" F x 1" F NPT Reconnectable Safe-T-Break®
005812	1" F x 1" F NPT Non-Reconnectable Safe-T-Break®
006301	1" F x 1" F NPT Non-Reconnectable PCC Safe-T-Break®
005231	1" F x 1" F NPT Low Pull Reconnectable Safe-T-Break®
003076	1" F x 1" F BSPP Reconnectable Safe-T-Break®
003076A	1" F x 1" F BSPP Reconnectable Safe-T-Break® - Atex
006914	1" F x 1" F BSPP Non-Reconnectable Safe-T-Break®

### Swivels

MODEL NO.	DESCRIPTION
000087	1" M x 1" F NPT Multi-Plane Swivel
000095	1" M x 1" F NPT 70° Pump Swivel
003395	1" M x 1" F NPT Multi-Plane Restricted Swivel
000352	1" M x 3/4" F NPT Multi-Plane Swivel
000356	1" M x 3/4" F NPT Multi-Plane Swivel Anodized Black
003306	1" M x 1" F BSPP Multi-Plane Swivel
003306A	1" M x 1" F BSPP Multi-Plane Swivel - Atex

### Swivel•Safe-T-Break® Combos

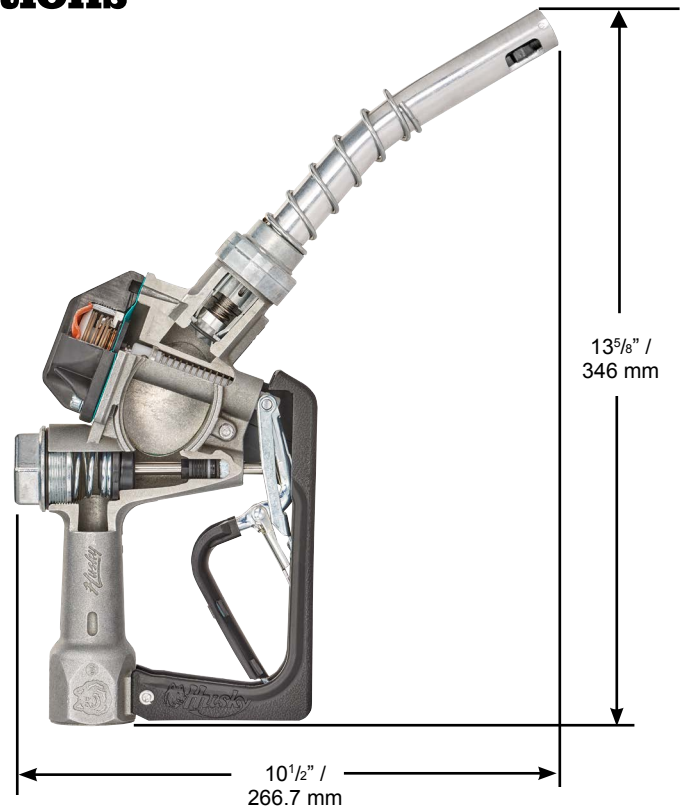
MODEL NO.	DESCRIPTION
005969	1" M NPT Multi-Plane Swivel connected to 1" F NPT Reconnectable Safe-T-Break®
008015	1" M BSPP Multi-Plane Swivel connected to 1" F BSPP Reconnectable Safe-T-Break®
008015A	1" M BSPP Multi-Plane Swivel connected to 1" F BSPP Reconnectable Safe-T-Break® - Atex

### Spouts

MODEL NO.	DESCRIPTION
001473	Unleaded Spout without Flo-Stop®
010434	Unleaded Long Spout without Flo-Stop®
001471	Light Duty Diesel Spout without Flo-Stop® with StreamShaper®
010353	Light Duty Diesel Long Spout without Flo-Stop®
005215	Heavy Duty Diesel Spout with Flo-Stop®

### Accessories, Testing and Maintenance

MODEL NO.	DESCRIPTION
000385	1" M x 3/4" F Reducer Bushing - NPT threads
001717	1" M x 3/4" F Reducer Bushing - BSPP threads
000548	Hanging Hook for Unleaded and Light Duty Diesel Nozzles
003593	Hold Open Clip Kit
007089	Nozzle Service Kit
000397	Unleaded Spout Gauge



### Guards

MODEL NO.	DESCRIPTION
000554	Full Grip Guard
001804	Full Grip Reguard
005494	Lever Guard
000226	Mate Guard
007376	Mate Handle Guard
008180	POPD® EZH Nozzle Guard
008179	POPD® EZS Nozzle Guard
007999	POPD® H Clear Cover
008170	POPD® H Mate Guard
008183	POPD® H Full Grip Guard
008190	POPD® H Full Grip Reguard
006628	POPD® S Clear Cover
006655	POPD® S Full Grip Guard
007210	POPD® S Full Grip Reguard
008169	POPD® S Mate Guard

### Pressure/Vacuum Vents

MODEL NO.	DESCRIPTION
004620	2" Slip-On Pressure Vacuum Vent
004885	2" Thread-On Pressure Vacuum Vent - NPT
005885	2" Thread-On Pressure Vacuum Vent with Internal Screen - NPT



2325 Husky Way • Pacific, MO 63069  
 (800) 325-3558 • Fax (636) 825-7300  
[www.husky.com](http://www.husky.com) • [sales@husky.com](mailto:sales@husky.com)

MADE IN THE U.S.A.

# 1GSS CW Nozzles



**Pressure activated, automatic shut-off nozzle with metal handguard for farm, 12V skid tanks, large pumps with or without air eliminators and commercial applications.**

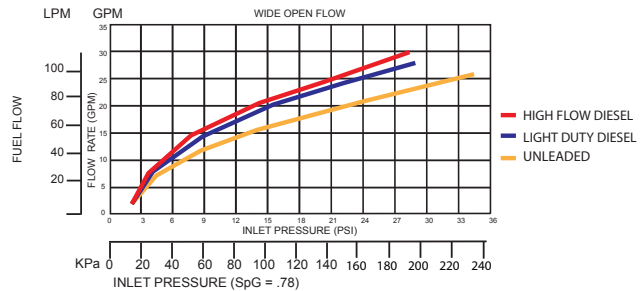
- 1GSS nozzle shuts off when:
  - the pump shuts off.
  - the gas tank is full.
  - the lever is opened before the pump is turned on.
  - the leak detector has not completed the test cycle.
- Contains a poppet disc seal, rated at -40° F/C to prevent fuel leakage from the main seal in extreme cold weather.
- Nozzle is equipped with unique Flo-Stop® device that shuts off the nozzle if it falls from the fill tank or raises above the horizontal.
- Not for use with gravity tanks.
- Not legal for retail dispensing applications.
- Stainless steel spout bushing keeps spout tip round and acts as a captive fastener to prevent tip-end sensor damage.
- *StreamShaper*® reduces turbulence for straighter fuel flow and less splash back spillage.
- Comes standard with smooth full grip guard.

## Heavy Duty Diesel Nozzles with NPT

MODEL NO.	DESCRIPTION	SHIPPING WEIGHT LBS (KG)
1399710	with Three Notch Hold Open Clip and Hook	3.6 (1.6)

## Construction

Body	Die cast aluminum body with metal hand guard
Seals	Fluorocarbon
Packing	Double o-ring seal protected by fiber reinforced Teflon®
Lever	One piece contoured steel with hard plastic cover
Inlet	1" / 25.4 mm NPT & BSPP



WARNING: Cancer and Reproductive Harm - www.P65Warnings.ca.gov



# 1GSS CW Nozzles

Pressure activated, automatic shut-off nozzle with metal handguard for farm, 12V skid tanks, large pumps with or without air eliminators and commercial applications.

## Dimensions and System Options

### Safe-T-Breaks®

MODEL NO.	DESCRIPTION
002276	1" F x 1" F NPT Reconnectable Safe-T-Break®
005812	1" F x 1" F NPT Non-Reconnectable Safe-T-Break®
006301	1" F x 1" F NPT Non-Reconnectable PCC Safe-T-Break®
005231	1" F x 1" F NPT Low Pull Reconnectable Safe-T-Break®
003076	1" F x 1" F BSPP Reconnectable Safe-T-Break®
003076A	1" F x 1" F BSPP Reconnectable Safe-T-Break® - Atex
006914	1" F x 1" F BSPP Non-Reconnectable Safe-T-Break®

### Swivels

MODEL NO.	DESCRIPTION
000087	1" M x 1" F NPT Multi-Plane Swivel
000095	1" M x 1" F NPT 70° Pump Swivel
003395	1" M x 1" F NPT Multi-Plane Restricted Swivel
000352	1" M x 3/4" F NPT Multi-Plane Swivel
000356	1" M x 3/4" F NPT Multi-Plane Swivel Anodized Black
003306	1" M x 1" F BSPP Multi-Plane Swivel
003306A	1" M x 1" F BSPP Multi-Plane Swivel - Atex

### Swivel•Safe-T-Break® Combos

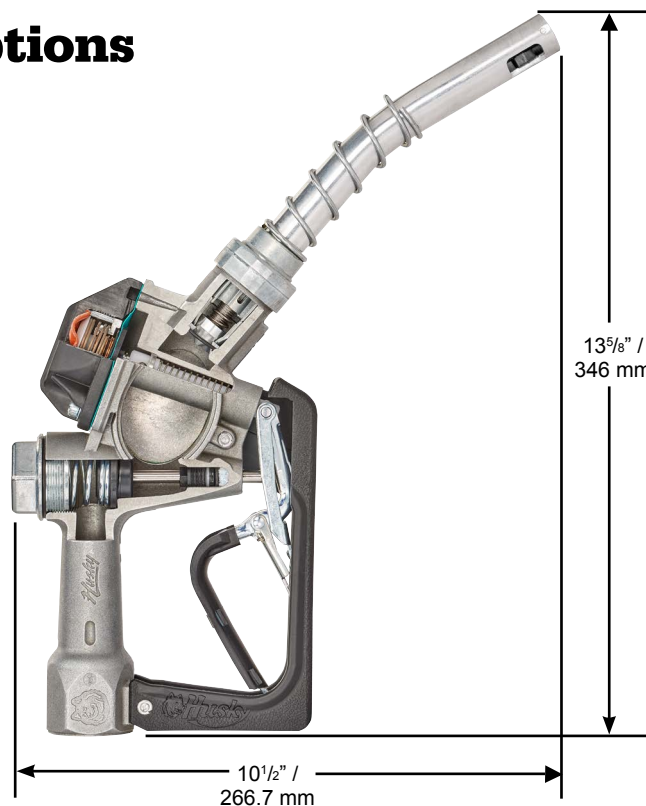
MODEL NO.	DESCRIPTION
005969	1" M NPTF Multi-Plane Swivel connected to 1" F NPT Reconnectable Safe-T-Break®
008015	1" M BSPP Multi-Plane Swivel connected to 1" F BSPP Reconnectable Safe-T-Break®
008015A	1" M BSPP Multi-Plane Swivel connected to 1" F BSPP Reconnectable Safe-T-Break® - Atex

### Spouts

MODEL NO.	DESCRIPTION
001473	Unleaded Spout without Flo-Stop®
010434	Unleaded Long Spout without Flo-Stop®
001471	Light Duty Diesel Spout without Flo-Stop® with StreamShaper®
010353	Light Duty Diesel Long Spout without Flo-Stop®
005215	Heavy Duty Diesel Spout with Flo-Stop®

### Accessories, Testing and Maintenance

MODEL NO.	DESCRIPTION
007089	Nozzle Service Kit
003593	Hold Open Clip Kit
000385	1" M x 3/4" F Reducer Bushing - NPT Threads
001717	1" M x 3/4" F Reducer Bushing - BSPP Threads
000397	Unleaded Spout Gauge
000548	Hanging Hook for Unleaded and Light Duty Diesel Nozzles



### Guards

MODEL NO.	DESCRIPTION
000554	Full Grip Guard
001804	Full Grip Reguard
005494	Lever Guard
000226	Mate Guard
007376	Mate Handle Guard
008180	POPD® EZH Nozzle Guard
008179	POPD® EZS Nozzle Guard
007999	POPD® H Clear Cover
008170	POPD® H Mate Guard
008183	POPD® H Full Grip Guard
008190	POPD® H Full Grip Reguard
006628	POPD® S Clear Cover
006655	POPD® S Full Grip Guard
007210	POPD® S Full Grip Reguard
008169	POPD® S Mate Guard

### Pressure/Vacuum Vents

MODEL NO.	DESCRIPTION
004620	2" Slip-On Pressure Vacuum Vent
004885	2" Thread-On Pressure Vacuum Vent - NPT
005885	2" Thread-On Pressure Vacuum Vent with Internal Screen - NPT



2325 Husky Way • Pacific, MO 63069  
 (800) 325-3558 • Fax (636) 825-7300  
[www.husky.com](http://www.husky.com) • [sales@husky.com](mailto:sales@husky.com)

MADE IN THE U.S.A.



GENERAL FUELING PRODUCTS

# **Diesel Exhaust Fluid Nozzles**

# DEF Nozzles



## Automatic shut-off Diesel Exhaust Fluid (DEF) nozzle for full-service and self-service stations.

- Modular design for easy cleaning.
- Equipped with a unique Flo-Stop® device that shuts off the nozzle if it falls from the fill tank or raises above the horizontal.
- Constructed from materials 100% compatible with Diesel Exhaust Fluid (DEF).
- Comes standard with mate nozzle guard and handle cover.
- Nozzle shuts off when the DEF tank is full.
- Available with magnetic Accufuel® safety feature.
- Stainless Steel construction.



### DEF Nozzles with 1" BSPP

MODEL NO.	DESCRIPTION	SHIPPING WEIGHT LBS (KG)
731004N <sup>^</sup>	with Two Notch Hold Open Clip; without Spout Ring and magnetic Accufuel® Spout	4.6 (2.1)
731088N <sup>^</sup>	with Two Notch Hold Open Clip and Spout Ring; without magnetic Accufuel® Spout	4.6 (2.1)
731091N <sup>^</sup>	with Two Notch Hold Open Clip, Spout Ring and magnetic Accufuel® Spout	4.6 (2.1)
1043691N <sup>^</sup>	with Two Notch Hold Open Clip, Spout Ring, magnetic Accufuel® Spout, and Waffle Guard - M34 Threads	4.6 (2.1)
7310192N <sup>^</sup>	with Two Notch Hold Open Clip, Spout Ring, Grounding Cable and Spout Cap, without magnetic Accufuel® Spout	4.6 (2.1)

<sup>^</sup> NOT LISTED

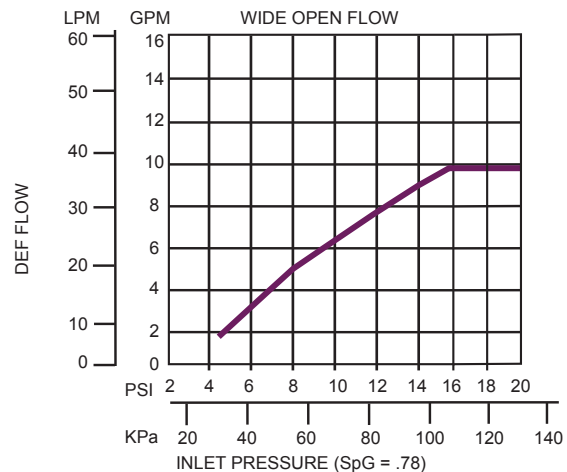
### DEF Nozzles with M34

MODEL NO.	DESCRIPTION	SHIPPING WEIGHT LBS (KG)
1043691N <sup>^</sup>	with Two Notch Hold Open Clip, Spout Ring, magnetic Accufuel® Spout, and Waffle Guard	4.6 (2.1)

### Construction

Body	Investment Cast Stainless Steel
Seals	Fluorocarbon
Packing	Double o-ring seal protected by fiber reinforced Teflon®
Lever	One piece contoured steel with hard plastic cover
Inlet	1" / 25.4 mm BSPP M34 1.5 Face Seal threads

<sup>^</sup> NOT LISTED



WARNING: Cancer and Reproductive Harm - www.P65Warnings.ca.gov



**Automatic shut-off Diesel Exhaust Fluid (DEF) nozzle for full-service and self-service stations.**

## Dimensions and System Options

### Safe-T-Breaks®

MODEL NO.	DESCRIPTION
007219	1" M x 1" M BSPP Non-Reconnectable Stainless Steel Safe-T-Break®
008216	1" M x 1" M BSPP Reconnectable Stainless Steel Safe-T-Break®

### Swivels

MODEL NO.	DESCRIPTION
007269	1" M x 1" M BSPP Inline Swivel
007275	1" M BSPP x M34 M Inline Swivel
007282	3/4" M BSPP x 3/4" Hose Barb Roller Bearing Inline Swivel
007467	1" F x 1" M BSPP Inline Swivel
008510	1" M BSPP 1" F NPT Inline Swivel
010936	3/4" M BSPP X 3/4" Hose Barb Inline Swivel

### Spouts

MODEL NO.	DESCRIPTION
007360	with Spout Ring and Flo-Stop®
007364	with Spout Ring and Magnetic Accufuel® Safety Feature
007362	with Flo-Stop®

### Guards

MODEL NO.	DESCRIPTION
008429	DEF Handguard Repair Kit
007376	Handle Cover (Black)
000226	Mate Nozzle Guard
001808	Waffle Splash Guard

### Adaptors

MODEL NO.	DESCRIPTION
007285	1" M x 1" M BSPP Straight Adaptor
007356	1" M BSPP x M M34 Straight Adaptor
008413	1" M BSPP x 3/4" Hose Barb Adaptor with Seal Kit

### Accessories, Testing and Maintenance

MODEL NO.	DESCRIPTION
007523	1" BSPP Seal Kit Assembly
007163	Loss Motion Diaphragm Cartridge Assembly
007160	Plunger Cartridge Assembly
007150	Poppet Valve / Venturi Cartridge Assembly

### Swivel/Safe-T-Break® Combos

MODEL NO.	DESCRIPTION
013185	M34 M NPT Multi-Plane Swivel connected to 1" BSP M Reconnectable Safe-T-Break®
014438	1" BSP M Multi-Plane Swivel connected to 1" BSP M Reconnectable Safe-T-Break®



2325 Husky Way • Pacific, MO 63069  
 (800) 325-3558 • Fax (636) 825-7300  
[www.husky.com](http://www.husky.com) • [sales@husky.com](mailto:sales@husky.com)

MADE IN THE U.S.A. 

# Polymer DEF Nozzle



**Polymer shut-off Diesel Exhaust Fluid (DEF) nozzle for full-service and self-service stations.**

- Lighter than stainless steel nozzles.
- *Streamshaper*® reduces turbulence for straighter fuel flow and less splash back spillage.
- Less expensive than comparable nozzles.
- Nozzle shuts off when the DEF tank is full.
- Stainless steel spout for durability.
- Replaceable stainless steel spout.
- Available with magnetic Accufuel® safety feature.
- Lower lever force.
- Flow characteristics of nozzle reduces crystallization of DEF.
- Complies with ISO Standard 22241-2:2006.



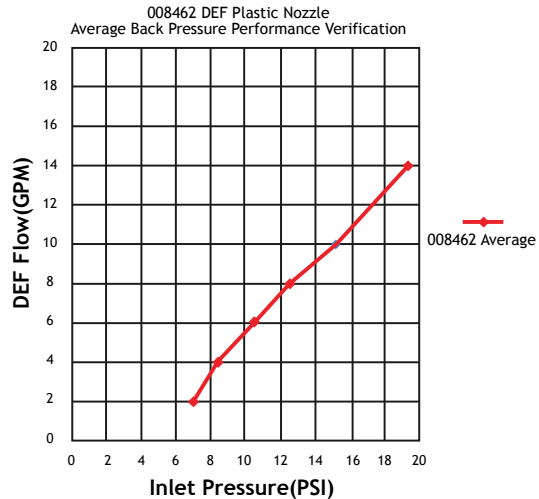
## New Polymer DEF Nozzle with 1" BSPP

MODEL NO.	DESCRIPTION	SHIPPING WEIGHT LBS (KG)
873504N^	with Two Notch Hold Open Clip without Spout Ring and magnetic Accufuel® Spout	1.53 (0.7)
873508	without Two Notch Hold Open Clip, Spout Ring and magnetic Accufuel® Spout	1.53 (0.7)
873588N^	with Two Notch Hold Open Clip and Spout Ring, without magnetic Accufuel® Spout	1.53 (0.7)
873591N^	with Two Notch Hold Open Clip, Spout Ring and magnetic Accufuel® Spout	1.53 (0.7)
8735153	without Two Notch Hold Open Clip and magnetic Accufuel® Spout, with Spout Ring	1.53 (0.7)
1202991N	with Two Notch Hold Open Clip, Spout Ring, magnetic Accufuel® Spout, and Gilbarco Magnetic Hand Guard	1.53 (0.7)
1307791N^	with Two Notch Hold Open Clip, Spout Ring and magnetic Accufuel® Spout, without Spout Groove	1.53 (0.7)

^ NOT LISTED

## Construction

Body	Acetal
Seals	Fluorocarbon o-rings and diaphragm
Spout	19 mm diameter
Lever	One-piece contoured steel with hard plastic cover
Inlet	1" BSPP Male/Female seal



WARNING: Cancer and Reproductive Harm - www.P65Warnings.ca.gov

Polymer shut-off Diesel Exhaust Fluid (DEF) nozzle for full-service and self-service stations.

## Dimensions and System Options

### Safe-T-Breaks®

MODEL NO.	DESCRIPTION
007219	1" M x 1" M BSPP Non-Reconnectable Stainless Steel Safe-T-Break®

### Swivels

MODEL NO.	DESCRIPTION
007275	1" M BSPP x M34 M Inline Swivel
007282	3/4" M BSPP x 3/4" Hose Barb Inline Swivel
007467	1" F x 1" M BSPP Inline Swivel
008510	1" M BSPP x 1" F NPT Inline Swivel
008822	1" F x 1" M BSPP Inline Swivel Face Seal

### Spouts

MODEL NO.	DESCRIPTION
013591	with StreamShaper®
013592	with Spout Ring and StreamShaper®
013593	with Spout Ring and Magnetic Accufuel® Safety Feature

### Adaptors

MODEL NO.	DESCRIPTION
010227	DEF 1" Female BSPP Adaptor
010549	DEF 1" Female BSPP/1" Female NPT Adaptor
010551	DEF 1" Female BSPP x 3/4" Female NPT Adaptor
010553	DEF 1" Female BSPP X 3/4" Female BSPP Adaptor
010579	1" Female BSPP x 3/4" Male DEF HB Adaptor
010675	1" Female BSPP x 1" Female BSPP Adaptor, Straight

### Accessories, Testing and Maintenance

MODEL NO.	DESCRIPTION
007523	1" BSPP Seal Kit Assembly



2325 Husky Way • Pacific, MO 63069  
 (800) 325-3558 • Fax (636) 825-7300  
[www.husky.com](http://www.husky.com) • [sales@husky.com](mailto:sales@husky.com)

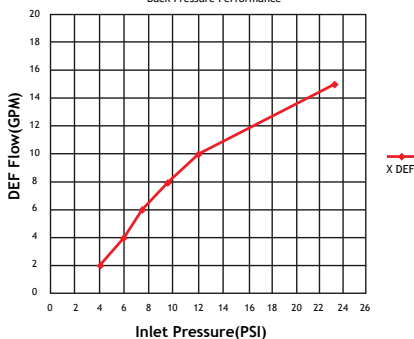
MADE IN THE U.S.A. 

## Automatic shut-off Diesel Exhaust Fluid (DEF) nozzle for full-service and self-service stations.

- Lighter than stainless steel nozzles.
- *Streamshaper*® reduces turbulence for straighter fuel flow and less splash back spillage.
- Less expensive than comparable nozzles.
- Nozzle shuts off when the DEF tank is full.
- Stainless steel spout for durability.
- Flow characteristics of nozzle reduces crystallization of DEF.
- Complies with ISO Standard 22241-2:2006.



X DEF Plastic Nozzle Back Pressure Performance



### New X DEF Nozzle with 3/4" NPT

MODEL NO.	DESCRIPTION	SHIPPING WEIGHT LBS (KG)
11676155N	with Three Notch Hold Open Clip	3.0 (1.3)
11676188N	with Three Notch Hold Open Clip, Spout Ring and Magnetic Accufuel® Spout	3.0 (1.3)
11676189N	with Three Notch Hold Open Clip and Long Spout	3.0 (1.3)
12150155N	with Three Notch Hold Open Clip and Gilbarco Magnetic Hand Guard	3.0 (1.3)
12970155N	with Three Notch Hold Open Clip and Wayne Magnetic Hand Guard	3.0 (1.3)

### New X DEF Nozzle with 3/4" BSPP

MODEL NO.	DESCRIPTION	SHIPPING WEIGHT LBS (KG)
1167691N	with Three Notch Hold Open Clip, Spout Ring and Magnetic Accufuel® Spout	3.0 (1.3)
11676154N	with Three Notch Hold Open Clip	3.0 (1.3)
11676180N	with Three Notch Hold Open Clip without Waffle Guard	3.0 (1.3)
11676190N	with Three Notch Hold Open Clip and Long Spout	3.0 (1.3)
12150154N	with Three Notch Hold Open Clip and Gilbarco Magnetic Hand Guard	3.0 (1.3)
1215091N	with Three Notch Hold Open Clip, Spout Ring, Magnetic Accufuel® Spout and Gilbarco Magnetic Hand Guard	3.0 (1.3)
12964154N	with Two Notch Hold Open Clip, EZ Lever and Wayne Magnetic Hand Guard without Spout Groove	3.0 (1.3)
12970154N	with Three Notch Hold Open Clip and Wayne Magnetic Hand Guard	3.0 (1.3)
13410204N	with Two Notch Hold Open Clip, EZ Lever, without Spout Groove	3.0 (1.3)

### New X DEF Nozzle with M34

MODEL NO.	DESCRIPTION	SHIPPING WEIGHT LBS (KG)
11676274N	with Three Notch Hold Open Clip and Long Spout	3.0 (1.3)
12150185N	with Three Notch Hold Open Clip, Spout Ring, Magnetic Accufuel® Spout and Gilbarco Magnetic Hand Guard	3.0 (1.3)
12150187N	with Three Notch Hold Open Clip and Gilbarco Magnetic Hand Guard	3.0 (1.3)
12150259N	without Three Notch Hold Open Clip, with Gilbarco Magnetic Hand Guard	3.0 (1.3)
12644155N	with Three Notch Hold Open Clip and Wayne Magnetic Hand Guard	3.0 (1.3)
12970185N	with Three Notch Hold Open Clip, Spout Ring, Magnetic Accufuel® Spout and Wayne Magnetic Hand Guard	3.0 (1.3)
12970259N	without Three Notch Hold Open Clip, with Wayne Magnetic Hand Guard	3.0 (1.3)

### Construction

Body	Anodized Aluminum
Seals	Fluorocarbon o-rings and diaphragm
Spout	19 mm diameter
Lever	One-piece contoured steel with hard plastic cover
Inlet	3/4" / 19 mm NPT Female threads or 3/4" / 19 mm BSPP Face Seal threads M34 1.5 Face Seal threads



WARNING: Cancer and Reproductive Harm - www.P65Warnings.ca.gov

Automatic shut-off Diesel Exhaust Fluid (DEF) nozzle for full-service and self-service stations.

## Dimensions and System Options

### Safe-T-Breaks®

MODEL NO.	DESCRIPTION
012070	3/4" F x 3/4" F NPT Reconnectable Safe-T-Break®
012659	3/4" F x 3/4" F BSPP Reconnectable Safe-T-Break®

### Swivel

MODEL NO.	DESCRIPTION
007282	3/4" M BSPP x 3/4" Hose Barb Roller Bearing Inline Swivel
010936	3/4" M BSPP x 3/4" Hose Barb Inline Swivel
012656	3/4" M x 3/4" F BSPP Roller Bearing Inline Swivel
012604	3/4" M x 3/4" F NPT Roller Bearing Inline Swivel

### Accessories, Testing and Maintenance

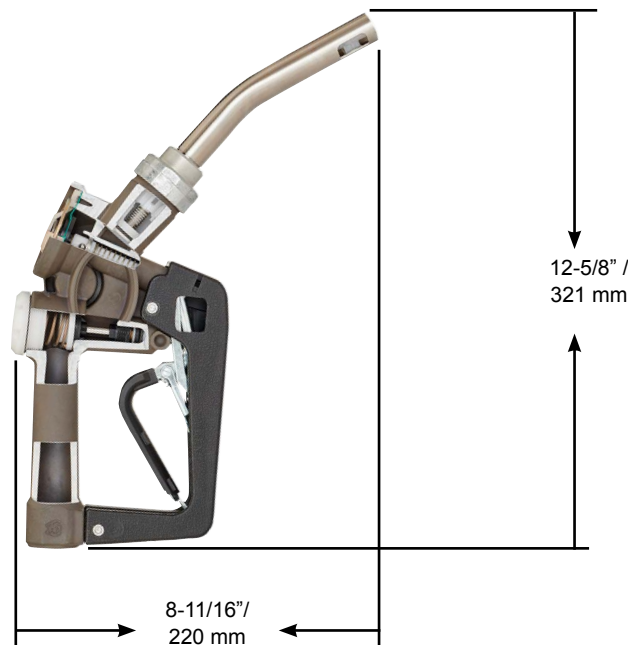
MODEL NO.	DESCRIPTION
007522	3/4" BSPP Seal Kit Assembly
013285	with StreamShaper®
013286	with Spout Ring and Magnetic Accufuel® Safety Feature
015319	with Long Spout and StreamShaper®

### Swivel/Safe-T-Break® Combos

MODEL NO.	DESCRIPTION
012828	3/4" BSP M Multi-Plane Swivel connected to 3/4" BSP F Reconnectable Safe-T-Break®
012831	3/4" NPT M Multi-Plane Swivel connected to 3/4" NPT F Reconnectable Safe-T-Break®
012887	3/4" BSP M Multi-Plane Swivel connected to 1" BSP F Reconnectable Safe-T-Break®
012890	3/4" BSP M Multi-Plane Swivel connected to 1" BSP M Reconnectable Safe-T-Break®

### Guards

MODEL NO.	DESCRIPTION
007361	Handle Cover (Black)
004145	Full Nozzle Guard
003795	Mate Nozzle Guard
014114	International Mate Nozzle Guard
001808	Waffle Splash Guard



### Gilbarco Magnetic Hand Guard



### Wayne Magnetic Hand Guard



2325 Husky Way • Pacific, MO 63069  
 (800) 325-3558 • Fax (636) 825-7300  
[www.husky.com](http://www.husky.com) • [sales@husky.com](mailto:sales@husky.com)

MADE IN THE U.S.A. 

**Automatic shut-off Diesel Exhaust Fluid (DEF) nozzle for full-service and self-service stations.**

- Lighter than stainless steel nozzles.
- Spout is designed to protect against misfilling into the diesel tank, dispensing of DEF is only possible in conjunction with filling points to ISO 22241-5.
- Less expensive than comparable nozzles.
- Nozzle shuts off when the DEF tank is full.
- Flow characteristics of nozzle reduces crystallization of DEF.
- Complies with ISO Standard ISO 22241-5:2019(E).
- Maximum flow rate 2.6 gpm (10 Lpm).



**New X DEF Nozzle with 1" BSPP**

MODEL NO.	DESCRIPTION	SHIPPING WEIGHT LBS (KG)
*15948275A	with One Notch Hold Open Clip, EZ Lever and Gilbarco Magnetic Hand Guard without Spout Groove	3.0 (1.3)

**New X DEF Nozzle with M34**

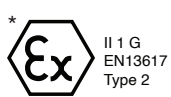
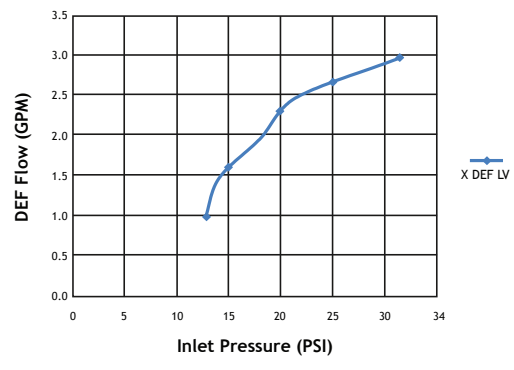
MODEL NO.	DESCRIPTION	SHIPPING WEIGHT LBS (KG)
15948276N^	with One Notch Hold Open Clip, EZ Lever and Gilbarco Magnetic Hand Guard without Spout Groove	3.0 (1.3)


^Not Listed

**Construction**

Body	Anodized Aluminum
Seals	Fluorocarbon o-rings and diaphragm
Spout	19 mm diameter
Lever	One-piece contoured polymer
Inlet	M34 1.5 Face Seal threads & 1" BSPP Face Seal threads

X DEF LV Nozzle  
Back Pressure Performance



 WARNING: Cancer and Reproductive Harm - www.P65Warnings.ca.gov



**Husky**

GENERAL FUELING PRODUCTS

# X DEF Low Volume Nozzle

Automatic shut-off Diesel Exhaust Fluid (DEF) nozzle for full-service and self-service stations.

## Dimensions and System Options

### Swivel/Safe-T-Break® Combo

MODEL NO.	DESCRIPTION
013185	M34 Single-Plane Swivel connected to 1" BSPP Service Reconnectable Safe-T-Break®
014438	1" BSPP Single-Plane Swivel connected to 1" BSPP Service Reconnectable Safe-T-Break®
*014438A	1" BSPP Single-Plane Swivel connected to 1" BSPP Service Reconnectable Safe-T-Break®

### Guards

MODEL NO.	DESCRIPTION
007361	Handle Cover (Black)
002138	Full Nozzle Guard
008547	Mate Nozzle Guard
014114	International Mate Nozzle Guard
001808	Waffle Splash Guard



2325 Husky Way • Pacific, MO 63069  
 (800) 325-3558 • Fax (636) 825-7300  
[www.husky.com](http://www.husky.com) • [sales@husky.com](mailto:sales@husky.com)

MADE IN THE U.S.A. 



GENERAL FUELING PRODUCTS

# **Truck & High Volume Nozzles**

# 1690/1691 Nozzles



Husky® 1690/1691 nozzle is 30% lighter than similar nozzles.

- Nozzle designed with extra large hand opening to accommodate gloves or mittens.
- Check valve is in nozzle body, not the spout, for inexpensive and fast spout replacement.
- Includes a self-adjusting stem packing.
- Automatic shut-off with dual poppets for easy opening.
- 1690 is equipped with two position hold open latch.
- 1691 is not equipped with hold open latch.
- Right angle design allows nozzle to “fit” close to walls and corners.
- Cast-in protective standoffs provide durability with rough usage.



### New Nozzles with NPT

MODEL NO.	DESCRIPTION	SHIPPING WEIGHT LBS (KG)
169010N <sup>^</sup>	without shear groove in spout	4.6 (2.0)
169112	with shear groove in spout	4.6 (2.0)

<sup>^</sup> NOT LISTED

### Rebuilt Nozzles with NPT

MODEL NO.	DESCRIPTION	SHIPPING WEIGHT LBS (KG)
169410N <sup>^</sup>	without shear groove in spout	4.6 (2.0)

<sup>^</sup> NOT LISTED

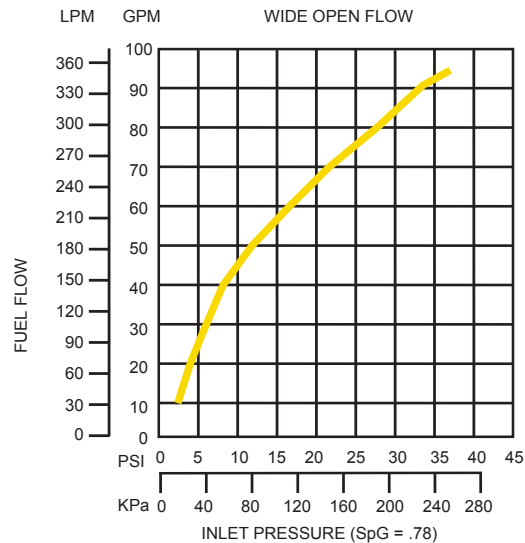
### New Nozzles with BSPP

MODEL NO.	DESCRIPTION	SHIPPING WEIGHT LBS (KG)
169038N <sup>^</sup>	without shear groove in spout	4.6 (2.0)

<sup>^</sup> NOT LISTED

### Construction

Body	Die cast aluminum body
Seals	Fluorocarbon
Packing	Double o-ring seal protected by fiber reinforced Teflon®
Lever	One piece contoured steel
Inlet	1½" NPT and BSPP



WARNING: Cancer and Reproductive Harm - www.P65Warnings.ca.gov

**Husky**

GENERAL FUELING PRODUCTS

# 1690/1691 Nozzles

Husky® 1690/1691 nozzle is 30% lighter than similar nozzles.

## Dimensions and System Options

### Swivels

MODEL NO.	DESCRIPTION
005240	1¼" F x 1½" M NPT Single Plane Swivel
005266	1½" F x 1½" M NPT Single Plane Swivel
005754	1¼" F x 1½" M BSPP Single Plane Swivel
005755	1½" F x 1½" M BSPP Single Plane Swivel

### Spouts

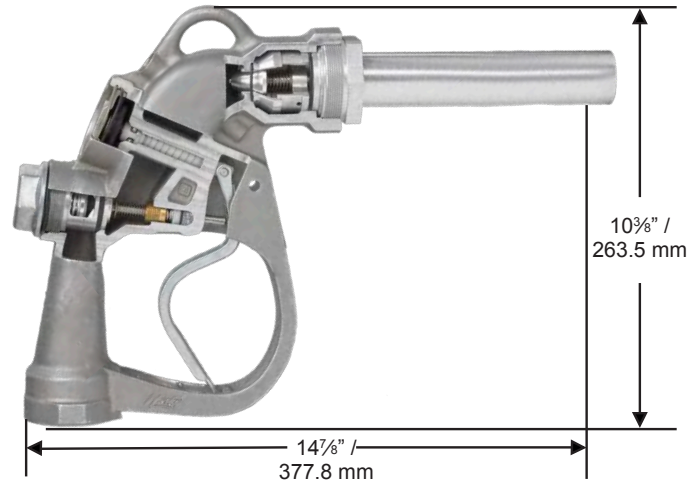
MODEL NO.	DESCRIPTION
004889	Spout Assembly without shear groove
005042	Spout Assembly with shear groove (1691 CUL version)

### Pressure/Vacuum Vents

MODEL NO.	DESCRIPTION
004620	2" Slip-On Pressure Vacuum Vent
004885	2" Thread-On Pressure Vacuum Vent - NPT
005885	2" Thread-On Pressure Vacuum Vent with Internal Screen - NPT

### Accessories, Testing and Maintenance

MODEL NO.	DESCRIPTION
007089	Nozzle Service Kit



2325 Husky Way • Pacific, MO 63069  
 (800) 325-3558 • Fax (636) 825-7300  
[www.husky.com](http://www.husky.com) • [sales@husky.com](mailto:sales@husky.com)

MADE IN THE U.S.A. 

# 1690 CW Nozzles



**High volume automatic shut-off nozzle provides 100 gpm and is 30% lighter than similar nozzles.**

- Contains a poppet disc seal, rated at -40 °F/C (exceeding the UL standard of -20 °F / -29 °C) to prevent fuel leakage from the main seal in extreme cold weather.
- Self-adjusting stem packing - no field adjustment is required.
- Automatic shut-off with dual poppets for easy opening.
- Nozzle is designed with extra large hand opening to accommodate gloves or mittens.
- Right angle design allows nozzle to “fit” close to walls and corners.
- Check valve is in the nozzle body, not the spout, for inexpensive, fast spout replacement.
- Cast-in protective standoffs provide durability with rough usage.
- Two position hold open latch.



## New Nozzles

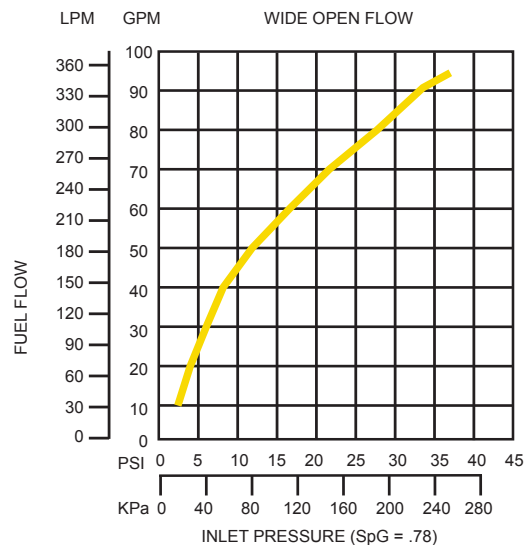
MODEL NO.	DESCRIPTION	SHIPPING WEIGHT LBS (KG)
652310N <sup>^</sup>	with two position hold-open latch	3.96 (1.79) <sup>^</sup> NOT LISTED

## Rebuilt Nozzles

MODEL NO.	DESCRIPTION	SHIPPING WEIGHT LBS (KG)
879810N <sup>^</sup>	with two position hold-open latch	3.96 (1.79) <sup>^</sup> NOT LISTED

## Construction

Body	Die Cast Aluminum
Seals	Fluorocarbon
Packing	Double o-ring seal protected by fiber reinforced Teflon <sup>®</sup>
Lever	One piece contoured steel with hard plastic cover
Inlet	1-1/2 in / 38 mm NPT
Spout	1-3/8 in / 34.9 mm O.D



WARNING: Cancer and Reproductive Harm - www.P65Warnings.ca.gov

**Husky**

GENERAL FUELING PRODUCTS

# 1690 CW Nozzles

**High volume automatic shut-off nozzle provides 100 gpm and is 30% lighter than similar nozzles.**

## Dimensions and System Options

### Swivels

MODEL NO.	DESCRIPTION
005235	1¼ in / 32 mm F x 1¼ in / 32 mm M Inline Swivel
005240	1¼ in / 32 mm F x 1½ in / 38 mm M Inline Swivel
005265	1½ in / 38 mm F x 1¼ in / 32 mm M Inline Swivel
005266	1½ in / 38 mm F x 1½ in / 38 mm M Inline Swivel

### Spouts

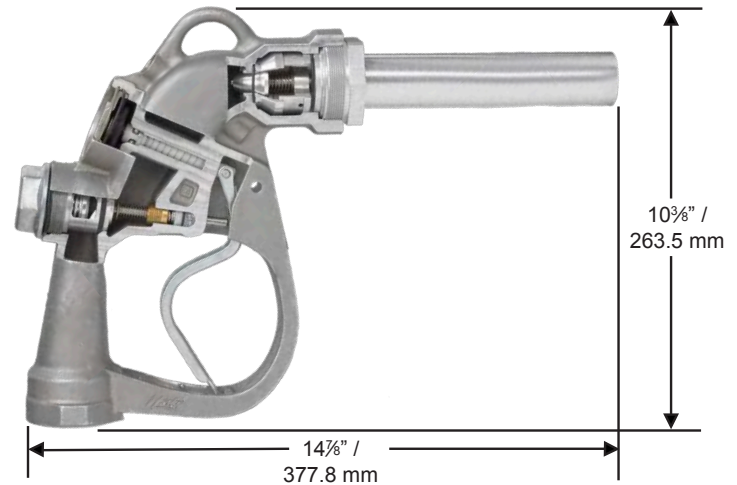
MODEL NO.	DESCRIPTION
004889	Spout without shear groove

### Pressure/Vacuum Vents

MODEL NO.	DESCRIPTION
004620	2" Slip-On Pressure Vacuum Vent
004885	2" Thread-On Pressure Vacuum Vent - NPT
005885	2" Thread-On Pressure Vacuum Vent with Internal Screen - NPT

### Accessories, Testing, and Maintenance

MODEL NO.	DESCRIPTION
007089	Nozzle Service Kit



2325 Husky Way • Pacific, MO 63069  
 (800) 325-3558 • Fax (636) 825-7300  
[www.husky.com](http://www.husky.com) • [sales@husky.com](mailto:sales@husky.com)

MADE IN THE U.S.A. 



# 1HS Nozzles



**Automatic shut-off nozzle with metal handguard for dispensing up to 25 gpm / 94.6 Lpm.**

- 1HS nozzle shuts off when the gas tank is full.
- Comes standard with full grip guard and waffle splash guard.
- Accu-Flo® poppet allows “to-the-penny” fuel dispensing.
- Heavy-duty, long-lasting metal hand guard.
- Nozzle is equipped with a unique Flo-Stop® device that shuts off the nozzle if it falls from the fill tank or raises above the horizontal.



## New Diesel Nozzles with NPT

MODEL NO.	DESCRIPTION	SHIPPING WEIGHT LBS (KG)
696310N <sup>^</sup>	with Three Notch Hold Open Clip	3.4 (1.5)
696365N <sup>^</sup>	with Three Notch Hold Open Clip and Waffle Splash Guard	3.6 (1.6)
696312	without Hold Open Clip	3.4 (1.5)

<sup>^</sup> NOT LISTED

## Rebuilt Diesel Nozzles with NPT

MODEL NO.	DESCRIPTION	SHIPPING WEIGHT LBS (KG)
696610N <sup>^</sup>	with Three Notch Hold Open Clip	3.4 (1.5)
696665N <sup>^</sup>	with Three Notch Hold Open Clip and Waffle Splash Guard	3.3 (1.4)
696612	without Hold Open Clip	3.4 (1.5)

<sup>^</sup> NOT LISTED

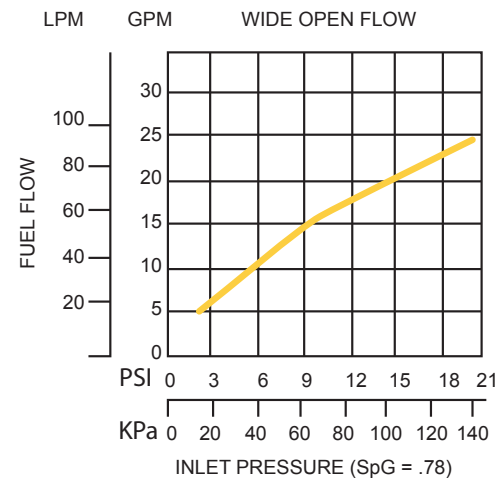
## New Diesel Nozzles with BSPP

MODEL NO.	DESCRIPTION	SHIPPING WEIGHT LBS (KG)
696338N <sup>^</sup>	with Three Notch Hold Open Clip	3.4 (1.5)
696340	without Hold Open Clip	3.4 (1.5)

<sup>^</sup> NOT LISTED

## Construction

Body	Die cast aluminum
Seals	Fluorocarbon
Packing	Double o-ring seal protected by fiber reinforced Teflon®
Lever	One piece contoured steel with hard plastic cover
Inlet	1" / 25.4 mm NPT & BSPP



WARNING: Cancer and Reproductive Harm - www.P65Warnings.ca.gov

Automatic shut-off nozzle with metal handguard for dispensing up to 25 gpm / 94.6 Lpm.

## Dimensions and System Options

### Safe-T-Breaks®

MODEL NO.	DESCRIPTION
002276	1" F x 1" F NPT Reconnectable Safe-T-Break®
005812	1" F x 1" F NPT Non-Reconnectable Safe-T-Break®
006301	1" F x 1" F NPT Non-Reconnectable PCC Safe-T-Break®
005231	1" F x 1" F NPT Low Pull Reconnectable Safe-T-Break®
003076	1" F x 1" F BSPP Reconnectable Safe-T-Break®
003076A	1" F x 1" F BSPP Reconnectable Safe-T-Break® - Atex
006914	1" F x 1" F BSPP Non-Reconnectable Safe-T-Break®

### Swivels

MODEL NO.	DESCRIPTION
000087	1" M x 1" F NPT Multi-Plane Swivel
004860	1" M x 1" F NPT Multi-Plane High Flow Swivel
000095	1" M x 1" F NPT 70° Pump Swivel
003395	1" M x 1" F NPT Multi-Plane Restricted Swivel
003306	1" M x 1" F BSPP Multi-Plane Swivel
006949	1" M x 1" F BSPP Multi-Plane High Flow Swivel

### Swivel/Safe-T-Break® Combos

MODEL NO.	DESCRIPTION
005969	1" M NPT Multi-Plane Swivel connected to 1" F NPT Reconnectable Safe-T-Break®
008015	1" M BSPP Multi-Plane Swivel connected to 1" F BSPP Reconnectable Safe-T-Break®
008015A	1" M BSPP Multi-Plane Swivel connected to 1" F BSPP Reconnectable Safe-T-Break® - Atex

### Spouts

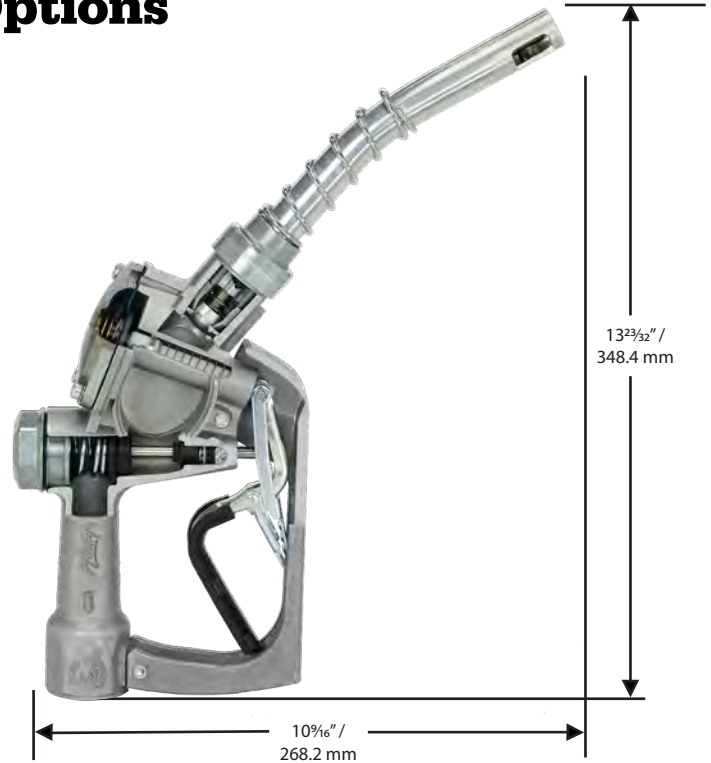
MODEL NO.	DESCRIPTION
005215	Heavy Duty Diesel Spout with Flo-Stop®

### Pressure/Vacuum Vents

MODEL NO.	DESCRIPTION
004620	2" Slip-On Pressure Vacuum Vent
004885	2" Thread-On Pressure Vacuum Vent - NPT
005885	2" Thread-On Pressure Vacuum Vent with Internal Screen - NPT

### Accessories, Testing and Maintenance

MODEL NO.	DESCRIPTION
003593	Hold Open Clip Kit
007089	Nozzle Service Kit



### Guards

MODEL NO.	DESCRIPTION
000554	Full Grip Nozzle Guard
001804	Full Grip Nozzle Reguard
005494	Lever Guard
007295	Mate Handle Cover
000226	Mate Nozzle Guard
008180	POPD® EZH Nozzle Guard
008179	POPD® EZS Nozzle Guard
007999	POPD® H Clear Cover
008183	POPD® H Full Grip Guard
008190	POPD® H Full Grip Reguard
008170	POPD® H Mate Guard
006628	POPD® S Clear Cover
006655	POPD® S Full Grip Guard
007210	POPD® S Full Grip Reguard
008169	POPD® S Mate Guard
000099	Protection Package
001811	Reguard Package
001808	Waffle Splash Guard

# 1HS Nozzles



**Automatic shut-off nozzle with polymer handguard for dispensing up to 25 gpm / 94.6 Lpm.**

- 1HS nozzle shuts off when the gas tank is full.
- Accu-Flo® poppet allows “to-the-penny” fuel dispensing.
- Nozzle is equipped with a unique Flo-Stop® device that shuts off the nozzle if it falls from the fill tank or raises above the horizontal.
- Comes standard with full grip guard and waffle splash guard.



### New Diesel Nozzles with NPT

MODEL NO.	DESCRIPTION	SHIPPING WEIGHT LBS (KG)
026810N <sup>^</sup>	with Three Notch Hold Open Clip	3.4 (1.5)
026865N <sup>^</sup>	with Three Notch Hold Open Clip and Waffle Splash Guard	3.4 (1.5)
026890N <sup>^</sup>	with Three Notch Hold Open Clip, POPD® Full Grip Guard and Waffle Splash Guard	3.4 (1.5)
026812	without Hold Open Clip	3.4 (1.5)

<sup>^</sup> NOT LISTED

### Rebuilt Diesel Nozzles with NPT

MODEL NO.	DESCRIPTION	SHIPPING WEIGHT LBS (KG)
052410N <sup>^</sup>	with Three Notch Hold Open Clip	3.4 (1.5)
052412	without Hold Open Clip	3.4 (1.5)

<sup>^</sup> NOT LISTED

### New Diesel Nozzles with BSPP

MODEL NO.	DESCRIPTION	SHIPPING WEIGHT LBS (KG)
026838N <sup>^</sup>	with Three Notch Hold Open Clip	3.4 (1.5)
026838A	with Three Notch Hold Open Clip	3.4 (1.5)
026840	without Hold Open Clip	3.4 (1.5)

<sup>^</sup> NOT LISTED

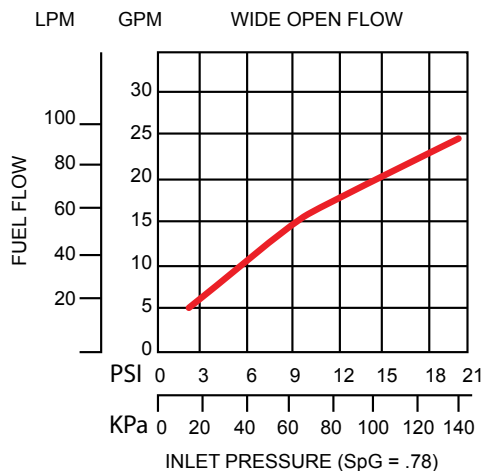
### Rebuilt Diesel Nozzles with BSPP

MODEL NO.	DESCRIPTION	SHIPPING WEIGHT LBS (KG)
052438N <sup>^</sup>	with Three Notch Hold Open Clip	3.4 (1.5)

<sup>^</sup> NOT LISTED

### Construction

Body	Die cast aluminum body with high impact polymer hand guard
Seals	Fluorocarbon
Packing	Double o-ring seal protected by fiber reinforced Teflon®
Lever	One piece contoured steel with hard plastic cover
Inlet	1" / 25.4 mm NPT and BSPP



II 1 G  
EN 13012  
TYPE 2

WARNING: Cancer and Reproductive Harm - www.P65Warnings.ca.gov



# 1HS Nozzles

Automatic shut-off nozzle with polymer handguard for dispensing up to 25 gpm / 94.6 Lpm.

## Dimensions and System Options

### Safe-T-Breaks®

MODEL NO.	DESCRIPTION
002276	1" F x 1" F NPT Reconnectable Safe-T-Break®
005812	1" F x 1" F NPT Non-Reconnectable Safe-T-Break®
006301	1" F x 1" F NPT Non-Reconnectable PCC Safe-T-Break®
005231	1" F x 1" F NPT Low Pull Reconnectable Safe-T-Break®
003076	1" F x 1" F BSPP Reconnectable Safe-T-Break®
003076A	1" F x 1" F BSPP Reconnectable Safe-T-Break® - Atex
006914	1" F x 1" F BSPP Non-Reconnectable Safe-T-Break®

### Swivels

MODEL NO.	DESCRIPTION
000087	1" M x 1" F NPT Multi-Plane Swivel
004860	1" M x 1" F NPT Multi-Plane High Flow Swivel
000095	1" M x 1" F NPT 70° Pump Swivel
003395	1" M x 1" F NPT Multi-Plane Restricted Swivel
003306	1" M x 1" F BSPP Multi-Plane Swivel
006949	1" M x 1" F BSPP Multi-Plane High Flow Swivel

### Swivel/Safe-T-Break® Combos

MODEL NO.	DESCRIPTION
005969	1" M NPTF Multi-Plane Swivel connected to 1" F NPT Reconnectable Safe-T-Break®
008015	1" M BSPP Multi-Plane Swivel connected to 1" F BSPP Reconnectable Safe-T-Break®
008015A	1" M BSPP Multi-Plane Swivel connected to 1" F BSPP Reconnectable Safe-T-Break® - Atex

### Spouts

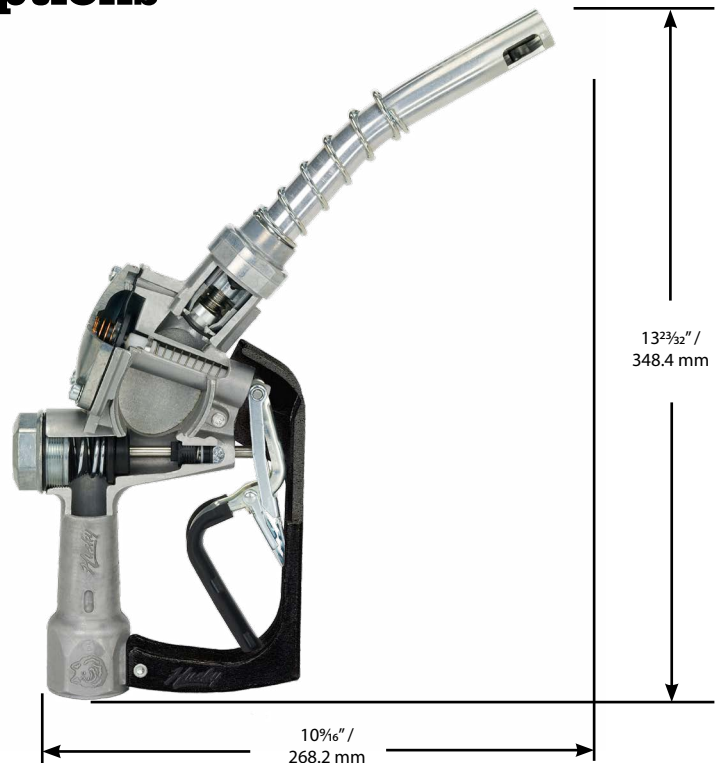
MODEL NO.	DESCRIPTION
005215	Heavy Duty Diesel Spout with Flo-Stop®

### Pressure/Vacuum Vents

MODEL NO.	DESCRIPTION
004620	2" Slip-On Pressure Vacuum Vent
004885	2" Thread-On Pressure Vacuum Vent - NPT
005885	2" Thread-On Pressure Vacuum Vent with Internal Screen - NPT

### Accessories, Testing and Maintenance

MODEL NO.	DESCRIPTION
003593	Hold Open Clip Kit
007089	Nozzle Service Kit



### Guards

MODEL NO.	DESCRIPTION
000554	Full Grip Nozzle Guard
001804	Full Grip Nozzle Reguard
005494	Lever Guard
007376	Mate Handle Cover
000226	Mate Nozzle Guard
008180	POPD® EZH Nozzle Guard
008179	POPD® EZS Nozzle Guard
007999	POPD® H Clear Cover
008183	POPD® H Full Grip Guard
008190	POPD® H Full Grip Reguard
008170	POPD® H Mate Guard
006628	POPD® S Clear Cover
006655	POPD® S Full Grip Guard
007210	POPD® S Full Grip Reguard
008169	POPD® S Mate Guard
000099	Protection Package
001811	Reguard Package
001808	Waffle Splash Guard



2325 Husky Way • Pacific, MO 63069  
 (800) 325-3558 • Fax (636) 825-7300  
[www.husky.com](http://www.husky.com) • [sales@husky.com](mailto:sales@husky.com)

MADE IN THE U.S.A.

# VIII Nozzles



**Automatic shut-off nozzle with polymer handguard for truck stop and other high volume full-service, self-service and unattended stations.**

- VIII nozzle shuts off when the gas tank is full.
- Spout is reinforced with thick aluminum bushing that retains spout spring and keeps spout from rounding-in; the two leading causes of clicking off and splash-back spillage.
- Nozzle is equipped with a unique Flo-Stop® device that shuts off the nozzle if it falls from the fill tank or raises above the horizontal.



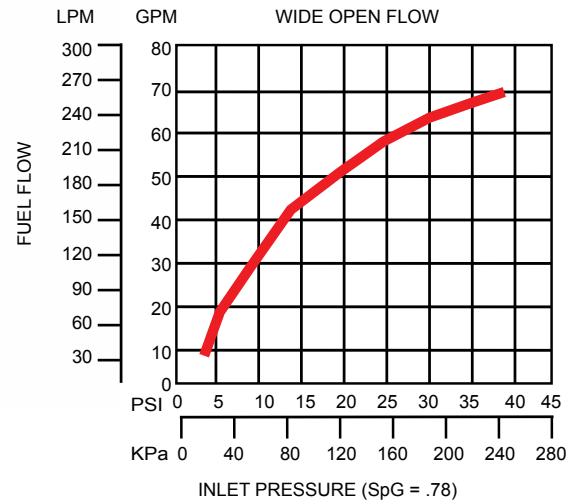
## New Heavy Duty Diesel Nozzles with NPT

MODEL NO.	DESCRIPTION	SHIPPING WEIGHT LBS (KG)
173310N <sup>^</sup>	with Three Notch Hold Open Clip, Waffle Splash Guard and Spout Bushing	3.9 (1.7)
17331001N <sup>^</sup>	with Three Notch Hold Open Clip, Waffle Splash Guard, Long Spout and Spout Bushing	4.0 (1.8)
173312	without Hold Open Clip, with Waffle Splash Guard and Spout Bushing	3.9 (1.7)
173381N <sup>^</sup>	with Three Notch Hold Open Clip and Spout Bushing without Waffle Splash Guard	3.9 (1.7)
503010N <sup>^</sup>	with Three Notch Hold Open Clip and Waffle Splash Guard without Spout Bushing	3.9 (1.7)
503012	without Hold Open Clip and Spout Bushing, with Waffle Splash Guard	3.9 (1.7)
503081N <sup>^</sup>	with Three Notch Hold Open Clip, without Spout Bushing and Waffle Splash Guard	3.9 (1.7)
50301001N <sup>^</sup>	with Three Notch Hold Open Clip, Long Spout, Waffle Splash Guard, without Spout Bushing	3.9 (1.7)

<sup>^</sup> NOT LISTED

## Construction

Body	Aluminum
Seals	Fluorocarbon
Packing	Double o-ring seal protected by fiber reinforced Teflon®
Lever	One piece contoured steel
Inlet	1" / 25.4 mm NPT



**WARNING:** Cancer and Reproductive Harm - [www.P65Warnings.ca.gov](http://www.P65Warnings.ca.gov)

Automatic shut-off nozzle with polymer handguard for truck stop and other high volume full-service, self-service and unattended stations.

## Dimensions and System Options

### Safe-T-Breaks®

MODEL NO.	DESCRIPTION
002276	1" F x 1" F Reconnectable Safe-T-Break®
005812	1" F x 1" F Non-Reconnectable Safe-T-Break®
006301	1" F x 1" F Non-Reconnectable PCC Safe-T-Break®
005231	1" F x 1" F Low Pull Reconnectable Safe-T-Break®

### Swivels

MODEL NO.	DESCRIPTION
000087	1" M x 1" F Multi-Plane Swivel
004860	1" M x 1" F Multi-Plane High Volume Swivel
000095	1" M x 1" F Multi-Plane 70° Pump Swivel
003395	1" M x 1" F Multi-Plane Restricted Swivel

### Swivel/Safe-T-Break® Combos

MODEL NO.	DESCRIPTION
005969	1" M Multi-Plane Swivel connected to 1" F Reconnectable Safe-T-Break®

### Spouts

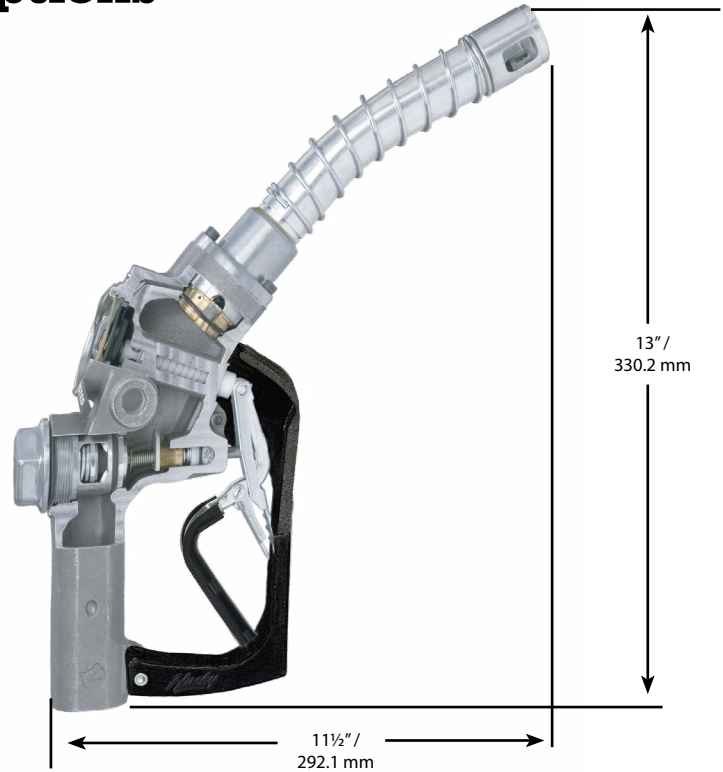
MODEL NO.	DESCRIPTION
002279	Complete Spout Assembly with Spout Bushing
005017	Complete Spout Assembly without Spout Bushing
003589	Complete Long Spout Assembly with Spout Bushing
011043	Complete Spout Assembly without Spout Bushing and Small Spout Spring

### Pressure/Vacuum Vents

MODEL NO.	DESCRIPTION
004620	2" Slip-On Pressure Vacuum Vent
004885	2" Thread-On Pressure Vacuum Vent - NPT
005885	2" Thread-On Pressure Vacuum Vent with Internal Screen - NPT

### Accessories, Testing and Maintenance

MODEL NO.	DESCRIPTION
003593	Hold Open Clip Kit
007089	Nozzle Service Kit
006645	Plunger Assembly Lift Tool



### Guards

MODEL NO.	DESCRIPTION
004740	Full Grip Guard
005516	Full Grip Reguard
005494	Lever Guard
008178	POPD® EZH Nozzle Guard
008177	POPD® EZS Nozzle Guard
007999	POPD® H Clear Cover
008186	POPD® H Full Grip Guard
008193	POPD® H Full Grip Reguard
008168	POPD® H Mate Guard
006628	POPD® S Clear Cover
007352	POPD® S Full Grip Guard
008194	POPD® S Full Grip Reguard
008167	POPD® S Mate Guard
001808	Waffle Splash Guard



# VIII BSPP Nozzles



**Automatic shut off nozzle with polymer handguard for truck stop and other high volume full-service, self-service and unattended stations.**

- VIII nozzle shuts off when:
  - the pump shuts off.
  - the gas tank is full.
  - the lever is opened before the pump is turned on.
  - the leak detector has not completed the test cycle.
- Spout is reinforced with thick aluminum bushing that retains spout spring and keeps spout from rounding-in: the two leading causes of clicking off and splash-back spillage.
- Nozzle is equipped with a unique Flo-Stop® device that shuts off the nozzle if it falls from the fill tank or raises above the horizontal.

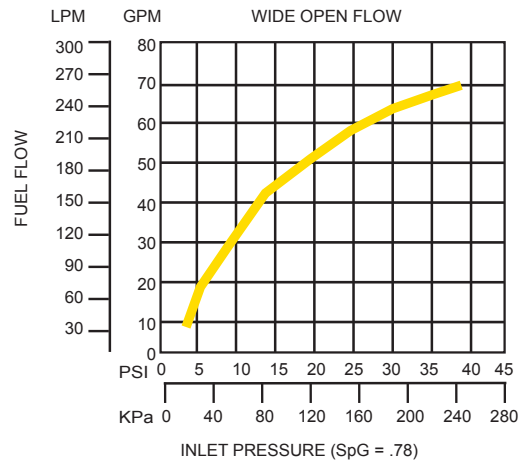
### New Nozzles

MODEL NO.	DESCRIPTION	SHIPPING WEIGHT LBS (KG)
173338N <sup>^</sup>	with Three Notch Hold Open Clip, Waffle Splash Guard and Spout Bushing	4.5 (2.0)
503038N <sup>^</sup>	with Three Notch Hold Open Clip and Waffle Splash Guard, without Spout Bushing	4.5 (2.0)

<sup>^</sup> NOT LISTED

### Construction

Body	Aluminum
Seals	Fluorocarbon
Packing	Double o-ring seal protected by fiber reinforced Teflon®
Lever	One piece contoured steel
Inlet	1" / 25.4 mm BSPP



WARNING: Cancer and Reproductive Harm - [www.P65Warnings.ca.gov](http://www.P65Warnings.ca.gov)

**Husky**

GENERAL FUELING PRODUCTS

# VIII BSPP Nozzles

Automatic shut off nozzle with polymer handguard for truck stop and other high volume full-service, self-service and unattended stations.

## Dimensions and System Options

### BSPP Safe-T-Breaks®

MODEL NO.	DESCRIPTION
003076	1" F x 1" F Reconnectable Safe-T-Break®
003076A	1" F x 1" F Reconnectable Safe-T-Break® - Atex
006914	1" F x 1" F Non-Reconnectable Safe-T-Break®

### BSPP Swivels

MODEL NO.	DESCRIPTION
003306	1" M x 1" F Multi-Plane Swivel
006949	1" M x 1" F Multi-Plane High Flow Swivel

### BSPP Swivel/Safe-T-Break® Combos

MODEL NO.	DESCRIPTION
008015	1" M BSPP Multi-Plane Swivel connected to 1" F BSPP Reconnectable Safe-T-Break®
008015A	1" M BSPP Multi-Plane Swivel connected to 1" F BSPP Reconnectable Safe-T-Break® - Atex

### Spouts

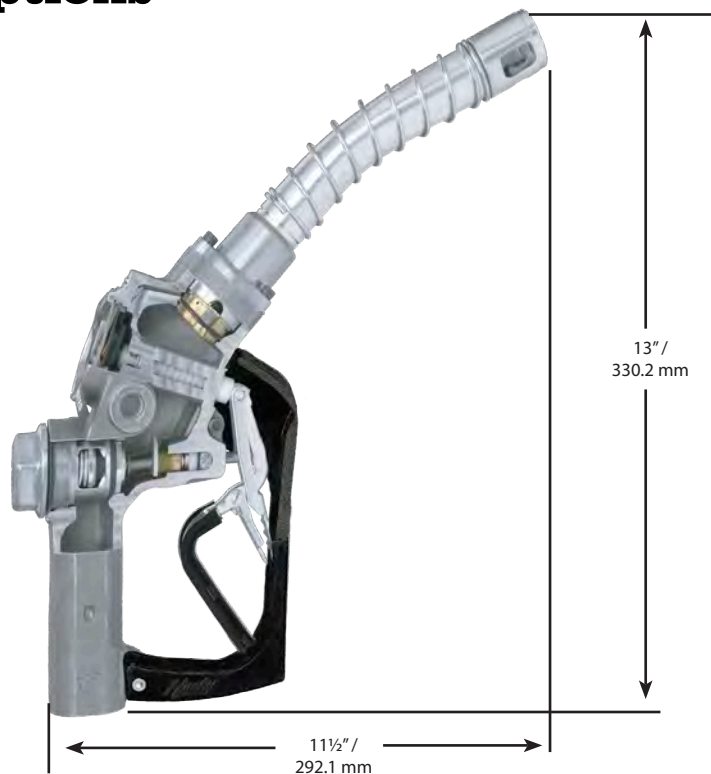
MODEL NO.	DESCRIPTION
002279	Complete Spout Assembly Kit with Bushing
005017	Complete Spout Assembly Kit without Bushing
003589	Complete Long Spout Assembly with Spout Bushing
011043	Complete Spout Assembly without Bushing and Small Spout Spring

### Pressure/Vacuum Vents

MODEL NO.	DESCRIPTION
004620	2" Slip-On Pressure Vacuum Vent
004885	2" Thread-On Pressure Vacuum Vent - NPT
005885	2" Thread-On Pressure Vacuum Vent with internal screen - NPT

### Accessories, Testing and Maintenance

MODEL NO.	DESCRIPTION
003593	Hold Open Clip Kit
007089	Nozzle Service Kit
006645	Plunger Assembly Lift Tool



### Guards

MODEL NO.	DESCRIPTION
004740	Full Grip Guard
005516	Full Grip Reguard
005494	Lever Guard
008178	POPD® EZH Nozzle Guard
008177	POPD® EZS Nozzle Guard
007999	POPD® H Clear Cover
008186	POPD® H Full Grip Guard
008193	POPD® H Full Grip Reguard
008168	POPD® H Mate Guard
006628	POPD® S Clear Cover
007352	POPD® S Full Grip Guard
008194	POPD® S Full Grip Reguard
008167	POPD® S Mate Guard
001808	Waffle Splash Guard



2325 Husky Way • Pacific, MO 63069  
 (800) 325-3558 • Fax (636) 825-7300  
[www.husky.com](http://www.husky.com) • [sales@husky.com](mailto:sales@husky.com)

MADE IN THE U.S.A.

# VIII CW Nozzles



**Automatic shut-off nozzle with polymer handguard for truck stops and other high volume applications.**

- Nozzle shuts off when the gas tank is full.
- Nozzle is equipped with a unique Flo-Stop® device that shuts off the nozzle if it falls from the fill tank or raises above the horizontal.
- Contains a poppet disc seal designed to prevent fuel leakage from the main seal in extreme cold weather.
- Nozzle can get flow rates up to 75 GPM / 284 LPM.
- Standard nozzle spout is reinforced with a thick aluminum bushing that holds the spout spring in place and keeps the spout from rounding in.

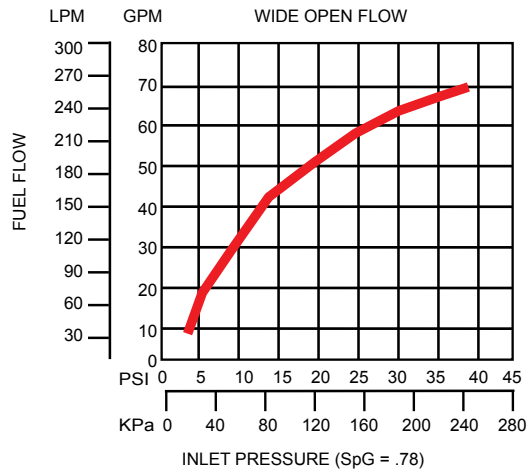
### New Nozzles

MODEL NO.	DESCRIPTION	SHIPPING WEIGHT LBS (KG)
651510N <sup>^</sup>	with Three Notch Hold Open Clip, Waffle Splash Guard and Spout Bushing	4.5 (2.0)
651512	without Hold Open Clip with Waffle Splash Guard and Spout Bushing	4.6 (2.1)
651712	without Hold Open Clip with Waffle Splash Guard, without Spout Bushing	4.6 (2.1)
828110N <sup>^</sup>	with Three Notch Hold Open Clip, Waffle Splash Guard, without Spout Bushing	4.6 (2.1)
835110N <sup>^</sup>	with Three Notch Hold Open Clip, Waffle Splash Guard, and Spout Bushing	4.6 (2.1)

<sup>^</sup> NOT LISTED

### Construction

Body	Aluminum
Seals	Fluorocarbon
Packing	Double o-ring seal protected by fiber reinforced Teflon®
Lever	One piece contoured steel with hard plastic cover
Inlet	1" / 25.4 mm NPT



WARNING: Cancer and Reproductive Harm - www.P65Warnings.ca.gov

**Automatic shut-off nozzle with polymer handguard for truck stops and other high volume applications.**

## Dimensions and System Options

### Safe-T-Breaks®

MODEL NO.	DESCRIPTION
002276	1" F x 1" F Reconnectable Safe-T-Break®
005812	1" F x 1" F Non-Reconnectable Safe-T-Break®
006301	1" F x 1" F Non-Reconnectable PCC Safe-T-Break®
005231	1" F x 1" F Low Pull Reconnectable Safe-T-Break®

### Swivels

MODEL NO.	DESCRIPTION
000087	1" M x 1" F Multi-Plane Swivel
004860	1" M x 1" F Multi-Plane High Volume Swivel
000095	1" M x 1" F Multi-Plane 70° Pump Swivel
003395	1" M x 1" F Multi-Plane Restricted Swivel

### Swivel•Safe-T-Break® Combos

MODEL NO.	DESCRIPTION
005969	1" M Multi-Plane Swivel connected to 1" F Reconnectable Safe-T-Break®

### Spouts

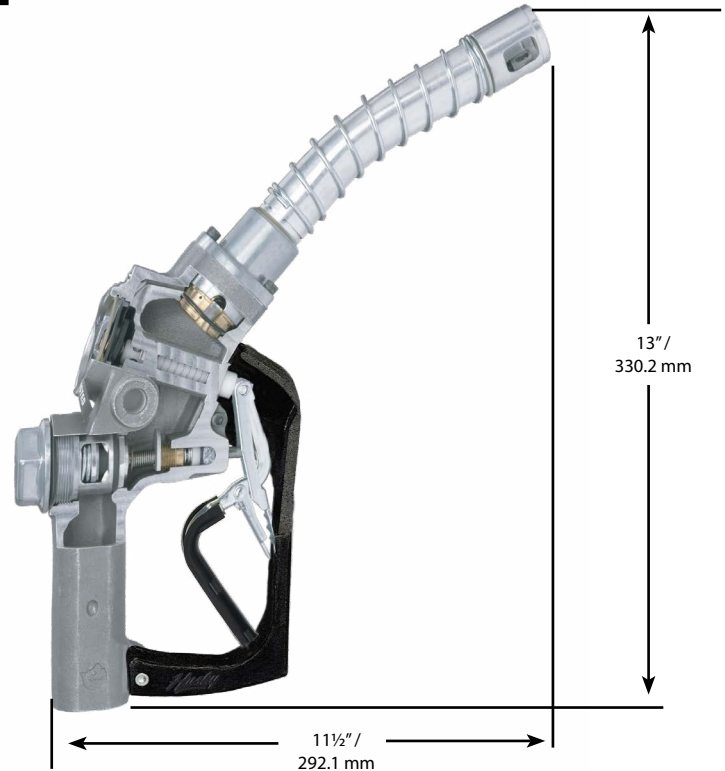
MODEL NO.	DESCRIPTION
002279	Complete Spout Assembly Kit with Bushing
005017	Complete Spout Assembly Kit without Bushing
003589	Complete Long Spout Assembly with Spout Bushing
011043	Complete Spout Assembly without Spout Bushing and Small Spout Spring

### Pressure/Vacuum Vents

MODEL NO.	DESCRIPTION
004620	2" Slip-On Pressure Vacuum Vent
004885	2" Thread-On Pressure Vacuum Vent - NPT
005885	2" Thread-On Pressure Vacuum Vent with Internal Screen - NPT

### Accessories, Testing and Maintenance

MODEL NO.	DESCRIPTION
003593	Hold Open Clip Kit
007089	Nozzle Service Kit
006645	Plunger Assembly Lift Tool



### Guards

MODEL NO.	DESCRIPTION
004740	Full Grip Guard
005516	Full Grip Reguard
005494	Lever Guard
008178	POPD® EZH Nozzle Guard
008177	POPD® EZS Nozzle Guard
007999	POPD® H Clear Cover
008168	POPD® H Mate Guard
008186	POPD® H Full Grip Guard
008193	POPD® H Full Grip Reguard
006628	POPD® S Clear Cover
007352	POPD® S Full Grip Guard
008194	POPD® S Full Grip Reguard
008167	POPD® S Mate Guard
001808	Waffle Splash Guard

# VIIIS Nozzles



**Pressure activated, automatic shut-off nozzle with polymer handguard for truck stop and other high volume full-service, self-service and unattended stations.**

- VIIIS nozzle shuts off when:
  - the pump shuts off.
  - the gas tank is full.
  - the lever is opened before the pump is turned on.
  - the leak detector has not completed the test cycle.
- Nozzle is equipped with a unique Flo-Stop® device that shuts off the nozzle if it falls from the fill tank or raises above the horizontal.
- Spout is reinforced with thick aluminum bushing that retains spout spring and keeps spout from rounding-in; the two leading causes of clicking off and splash-back spillage.

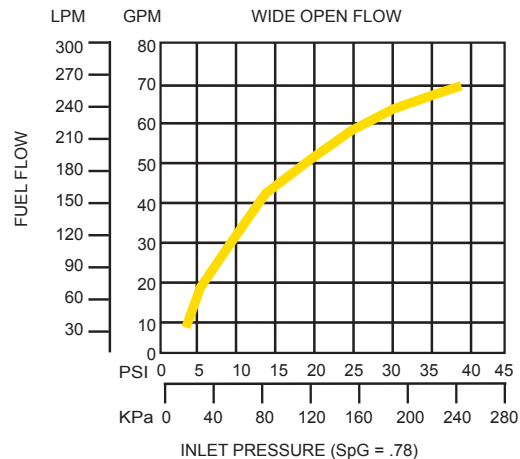


## New Heavy Duty Diesel Nozzles with NPT

MODEL NO.	DESCRIPTION	SHIPPING WEIGHT LBS (KG)
177610	with Three Notch Hold Open Clip, Waffle Splash Guard and Spout Bushing	4.6 (2.0)
17761001	with Three Notch Hold Open Clip, Waffle Splash Guard, Long Spout and Spout Bushing	4.6 (2.0)
177690	with Three Notch Hold Open Clip, POPD® S Full Grip Guard, Waffle Splash Guard and Spout Bushing	4.6 (2.0)
177612	without Hold Open Clip, with Waffle Splash Guard and Spout Bushing	4.6 (2.0)
1776147	with Three Notch Hold Open Clip, POPD® H Full Grip Guard, Waffle Splash Guard and Spout Bushing	4.6 (2.0)
504010	with Three Notch Hold Open Clip and Waffle Splash Guard without Spout Bushing	4.6 (2.0)
504012	without Hold Open Clip and Spout Bushing, with Waffle Splash Guard	4.6 (2.0)
5040132	with Three Notch Hold Open Clip, without Waffle Splash Guard or Spout Bushing	4.6 (2.0)
11043132	with Three Notch Hold Open Clip, and Short Spout Spring, without Spout Bushing or Waffle Splash Guard	4.6 (2.0)
1776240	with Single Notch Hold Open Clip, Waffle Splash Guard and Spout Bushing	4.6 (2.0)

## Construction

Body	Aluminum
Seals	Fluorocarbon
Packing	Double o-ring seal protected by fiber reinforced Teflon®
Lever	One piece contoured steel
Inlet	1" / 25.4 mm NPT



WARNING: Cancer and Reproductive Harm - www.P65Warnings.ca.gov

Pressure activated, automatic shut-off nozzle with polymer handguard for truck stop and other high volume full-service, self-service and unattended stations.

## Dimensions and System Options

### Safe-T-Breaks®

MODEL NO.	DESCRIPTION
002276	1" F x 1" F Reconnectable Safe-T-Break®
005812	1" F x 1" F Non-Reconnectable Safe-T-Break®
006301	1" F x 1" F Non-Reconnectable PCC Safe-T-Break®
005231	1" F x 1" F Low Pull Reconnectable Safe-T-Break®

### Swivels

MODEL NO.	DESCRIPTION
000087	1" M x 1" F Multi-Plane Swivel
004860	1" M x 1" F Multi-Plane High Volume Swivel
000095	1" M x 1" F Multi-Plane 70° Pump Swivel
003395	1" M x 1" F Multi-Plane Restricted Swivel

### Swivel/Safe-T-Break® Combos

MODEL NO.	DESCRIPTION
005969	1" M Multi-Plane Swivel connected to 1" F Reconnectable Safe-T-Break®

### Spouts

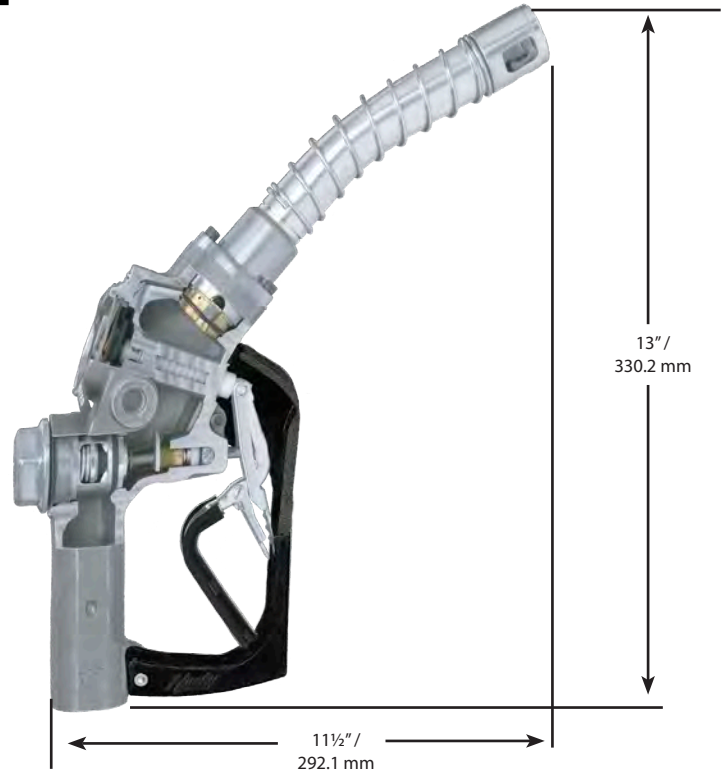
MODEL NO.	DESCRIPTION
002279	Complete Spout Assembly with Spout Bushing
005017	Complete Spout Assembly without Spout Bushing
003589	Complete Long Spout Assembly with Spout Bushing
011043	Complete Spout Assembly without Spout Bushing and Small Spout Spring

### Pressure/Vacuum Vents

MODEL NO.	DESCRIPTION
004620	2" Slip-On Pressure Vacuum Vent
004885	2" Thread-On Pressure Vacuum Vent - NPT
005885	2" Thread-On Pressure Vacuum Vent with Internal Screen - NPT

### Accessories, Testing and Maintenance

MODEL NO.	DESCRIPTION
003593	Hold Open Clip Kit
007089	Nozzle Service Kit
006645	Plunger Assy Lift Tool



### Guards

MODEL NO.	DESCRIPTION
004740	Full Grip Guard
005516	Full Grip Reguard
005494	Lever Guard
008178	POPD® EZH Nozzle Guard
008177	POPD® EZS Nozzle Guard
007999	POPD® H Clear Cover
008186	POPD® H Full Grip Guard
008193	POPD® H Full Grip Reguard
008168	POPD® H Mate Guard
006628	POPD® S Clear Cover
007352	POPD® S Full Grip Guard
008194	POPD® S Full Grip Reguard
008167	POPD® S Mate Guard
001808	Waffle Splash Guard



# VIIIS BSPP Nozzles



**Pressure activated, automatic shut-off nozzle with polymer handguard for truck stop and other high volume full-service, self-service and unattended stations.**

- VIIIS nozzle shuts off when:
  - the pump shuts off.
  - the gas tank is full.
  - the lever is opened before the pump is turned on.
  - the leak detector has not completed the test cycle.
- Spout is reinforced with thick aluminum bushing that retains spout spring and keeps spout from rounding-in: the two leading causes of clicking off and splash-back spillage.
- Nozzle is equipped with a unique Flo-Stop® device that shuts off the nozzle if it falls from the fill tank or raises above the horizontal.

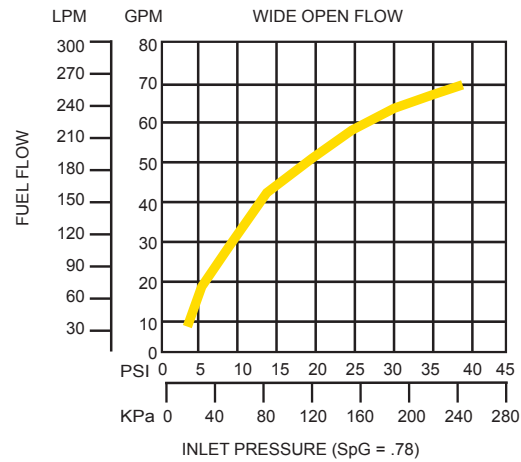


### New Nozzles

MODEL NO.	DESCRIPTION	SHIPPING WEIGHT LBS (KG)
177638	with Three Notch Hold Open Clip, Waffle Splash Guard and Spout Bushing	3.9 (1.7)
177640	without Hold Open Clip, with Waffle Splash Guard and Spout Bushing	3.9 (1.7)
504038	without Spout Bushing, with Three Notch Hold Open Clip and Waffle Splash Guard	3.9 (1.7)
504040	without Hold Open Clip and Spout Bushing, with Waffle Splash Guard	3.9 (1.7)

### Construction

Body	Aluminum
Seals	Fluorocarbon
Packing	Double o-ring seal protected by fiber reinforced Teflon®
Lever	One piece contoured steel
Inlet	1" / 25.4 mm BSPP



**WARNING:** Cancer and Reproductive Harm - [www.P65Warnings.ca.gov](http://www.P65Warnings.ca.gov)

**Husky**

GENERAL FUELING PRODUCTS

# VIII BSPP Nozzles

Pressure activated, automatic shut-off nozzle with polymer handguard for truck stop and other high volume full-service, self-service and unattended stations.

## Dimensions and System Options

### BSPP Safe-T-Breaks®

MODEL NO.	DESCRIPTION
003076	1" F x 1" F Reconnectable Safe-T-Break®
003076A	1" F x 1" F Reconnectable Safe-T-Break® - Atex
006914	1" F x 1" F Non-Reconnectable Safe-T-Break®

### BSPP Swivels

MODEL NO.	DESCRIPTION
003306	1" M x 1" F Multi-Plane Swivel
006949	1" M x 1" F Multi-Plane High Flow Swivel

### BSPP Swivel/Safe-T-Break® Combos

MODEL NO.	DESCRIPTION
008015	1" M BSPP Multi-Plane Swivel connected to 1" F BSPP Reconnectable Safe-T-Break®
008015A	1" M BSPP Multi-Plane Swivel connected to 1" F BSPP Reconnectable Safe-T-Break® - Atex

### Spouts

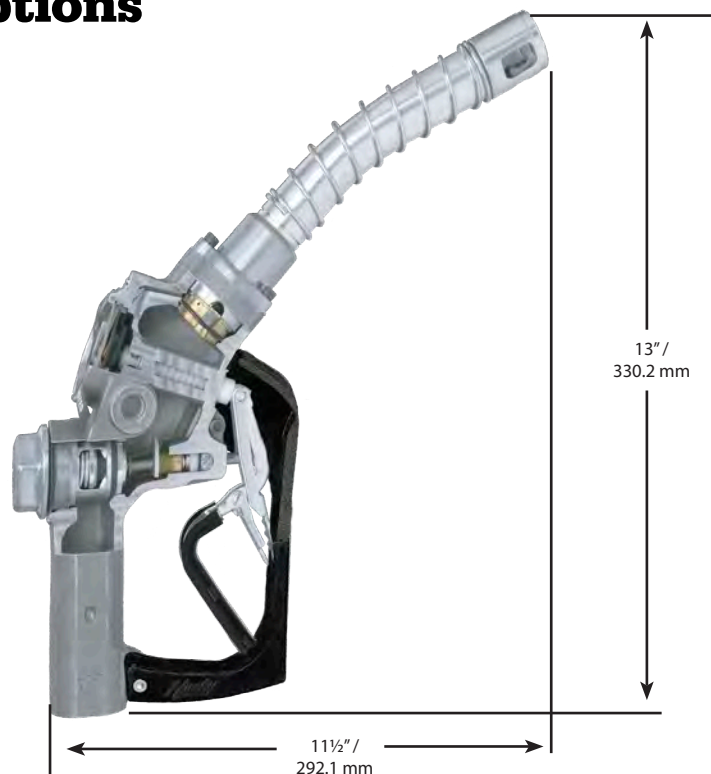
MODEL NO.	DESCRIPTION
002279	Complete Spout Assembly Kit with Bushing
005017	Complete Spout Assembly Kit without Bushing
003589	Complete Long Spout Assembly with Spout Bushing
011043	Complete Spout Assembly without Bushing and Small Spout Spring

### Pressure/Vacuum Vents

MODEL NO.	DESCRIPTION
004620	2" Slip-On Pressure Vacuum Vent
004885	2" Thread-On Pressure Vacuum Vent - NPT
005885	2" Thread-On Pressure Vacuum Vent with Internal Screen - NPT

### Accessories, Testing and Maintenance

MODEL NO.	DESCRIPTION
003593	Hold Open Clip Kit
007089	Nozzle Service Kit
006645	Plunger Assembly Lift Tool



### Guards

MODEL NO.	DESCRIPTION
004740	Full Grip Guard
005516	Full Grip Reguard
005494	Lever Guard
008178	POPD® EZH Nozzle Guard
008177	POPD® EZS Nozzle Guard
007999	POPD® H Clear Cover
008186	POPD® H Full Grip Guard
008193	POPD® H Full Grip Reguard
008168	POPD® H Mate Guard
006628	POPD® S Clear Cover
007352	POPD® S Full Grip Guard
008194	POPD® S Full Grip Reguard
008167	POPD® S Mate Guard
001808	Waffle Splash Guard



2325 Husky Way • Pacific, MO 63069  
 (800) 325-3558 • Fax (636) 825-7300  
[www.husky.com](http://www.husky.com) • [sales@husky.com](mailto:sales@husky.com)

MADE IN THE U.S.A.

# VIIIS CW Nozzles



4-10

HIGH VOLUME FUELING

**Pressure activated nozzle with polymer handguard for self-service and unattended stations.**

- VIIIS Nozzle shuts off when:
  - the pump shuts off.
  - the gas tank is full.
  - the lever is opened before the pump is turned on.
  - the leak detector has not completed the test cycle.
- Nozzle is equipped with a unique Flo-Stop® device that shuts off the nozzle if it falls from the fill tank or raises above the horizontal.
- Contains a poppet disc seal, rated at -40° F/C, to prevent fuel leakage from the main seal in extreme cold weather.
- Contains a poppet disc seal designed to prevent fuel leakage from the main seal in extreme cold weather.
- Spout is reinforced with a thick aluminum bushing that holds the spout spring in place and keeps the spout from rounding in - the two leading causes of clicking-off and splash-back spillage.

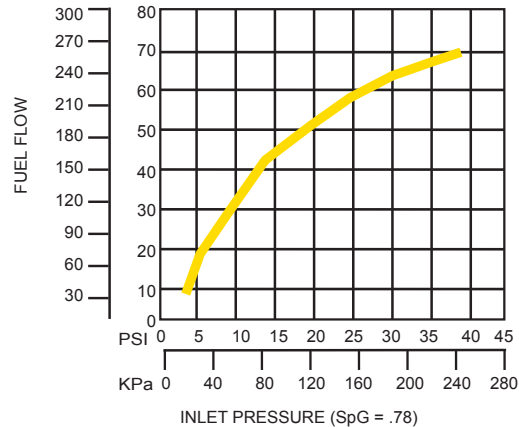


## New Nozzles

MODEL NO.	DESCRIPTION	SHIPPING WEIGHT LBS (KG)
651910	with Three Notch Hold Open Clip, Waffle Splash Guard and Spout Bushing	4.6 (2.0)
652110	with Three Notch Hold Open Clip and Waffle Splash Guard, without Spout Bushing	4.5 (2.0)
6519159	without Hold Open Clip, with Waffle Splash Guard and Spout Bushing	4.5 (2.0)

## Construction

Body	Aluminum
Seals	Fluorocarbon
Packing	Double o-ring seal protected by fiber reinforced Teflon®
Lever	One piece contoured steel with hard plastic cover
Inlet LPM	25.4 mm NPT WIDE OPEN FLOW



WARNING: Cancer and Reproductive Harm - www.P65Warnings.ca.gov



# VIIIS CW Nozzles

Pressure activated nozzle with polymer handguard for self-service and unattended stations.

## Dimensions and System Options

### Safe-T-Breaks®

MODEL NO.	DESCRIPTION
002276	1" F x 1" F Reconnectable Safe-T-Break®
005812	1" F x 1" F Non-Reconnectable Safe-T-Break®
006301	1" F x 1" F Non-Reconnectable PCC Safe-T-Break®
005231	1" F x 1" F Low Pull Reconnectable Safe-T-Break®

### Swivels

MODEL NO.	DESCRIPTION
000087	1" M x 1" F Multi-Plane Swivel
004860	1" M x 1" F Multi-Plane High Volume Swivel
000095	1" M x 1" F Multi-Plane 70° Pump Swivel
003395	1" M x 1" F Multi-Plane Restricted Swivel

### Swivel•Safe-T-Break® Combos

MODEL NO.	DESCRIPTION
005969	1" M Multi-Plane Swivel connected to 1" F Reconnectable Safe-T-Break®

### Spouts

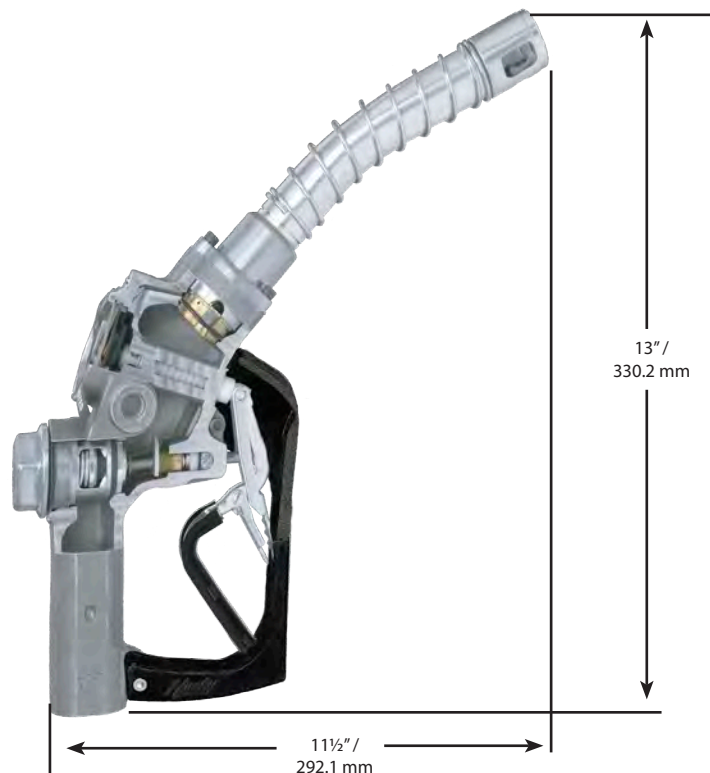
MODEL NO.	DESCRIPTION
002279	Complete Spout Assembly Kit with Bushing
005017	Complete Spout Assembly Kit without Bushing
003589	Complete Long Spout Assembly with Spout Bushing
011043	Complete Spout Assembly without Bushing and Small Spout Spring

### Pressure/Vacuum Vents

MODEL NO.	DESCRIPTION
004620	2" Slip-On Pressure Vacuum Vent
004885	2" Thread-On Pressure Vacuum Vent - NPT
005885	2" Thread-On Pressure Vacuum Vent with Internal Screen - NPT

### Accessories, Testing and Maintenance

MODEL NO.	DESCRIPTION
003593	Hold Open Clip Kit
007089	Nozzle Service Kit
006645	Plunger Assembly Lift Tool



### Guards

MODEL NO.	DESCRIPTION
004740	Full Grip Guard
005516	Full Grip Reguard
005494	Lever Guard
008178	POPD® EZH Nozzle Guard
008177	POPD® EZS Nozzle Guard
007999	POPD® H Clear Cover
008186	POPD® H Full Grip Guard
008193	POPD® H Full Grip Reguard
008168	POPD® H Mate Guard
006628	POPD® S Clear Cover
007352	POPD® S Full Grip Guard
008194	POPD® S Full Grip Reguard
008167	POPD® S Mate Guard
001808	Waffle Splash Guard



2325 Husky Way • Pacific, MO 63069  
 (800) 325-3558 • Fax (636) 825-7300  
[www.husky.com](http://www.husky.com) • [sales@husky.com](mailto:sales@husky.com)

MADE IN THE U.S.A.

# VIII Rebuilt Nozzles



**Automatic shut-off nozzle with polymer handguard for truck stop and other high volume full-service, self-service and unattended stations.**

- VIII nozzle shuts off when the gas tank is full.
- Spout is reinforced with thick aluminum bushing that retains spout spring and keeps spout from rounding-in; the two leading causes of clicking off and splash-back spillage.
- Nozzle is equipped with a unique Flo-Stop® device that shuts off the nozzle if it falls from the fill tank or raises above the horizontal.



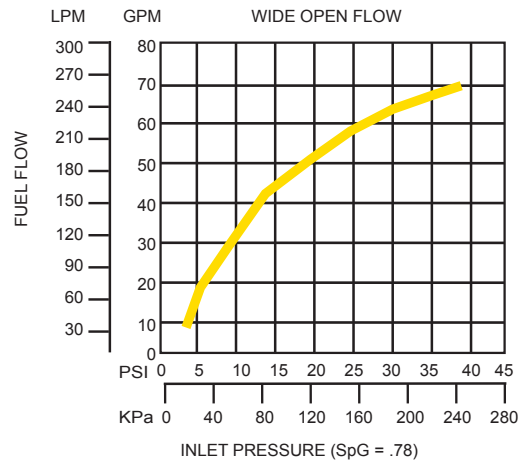
## Rebuilt Heavy Duty Diesel Nozzles with NPT

MODEL NO.	DESCRIPTION	SHIPPING WEIGHT LBS (KG)
265910N <sup>^</sup>	with Three Notch Hold Open Clip, Waffle Splash Guard and Spout Bushing	3.9 (1.7)
265912	without Hold Open Clip, with Waffle Splash Guard and Spout Bushing	3.9 (1.7)
502510N <sup>^</sup>	with Three Notch Hold Open Clip and Waffle Splash Guard without Spout Bushing	3.9 (1.7)

<sup>^</sup> NOT LISTED

## Construction

Body	Aluminum
Seals	Fluorocarbon
Packing	Double o-ring seal protected by fiber reinforced Teflon®
Lever	One piece contoured steel
Inlet	1" / 25.4 mm NPT



WARNING: Cancer and Reproductive Harm - www.P65Warnings.ca.gov

**Husky**

GENERAL FUELING PRODUCTS

# VIII Rebuilt Nozzles

Automatic shut-off nozzle with polymer handguard for truck stop and other high volume full-service, self-service and unattended stations.

## Dimensions and System Options

### Safe-T-Breaks®

MODEL NO.	DESCRIPTION
002276	1" F x 1" F Reconnectable Safe-T-Break®
005812	1" F x 1" F Non-Reconnectable Safe-T-Break®
006301	1" F x 1" F Non-Reconnectable PCC Safe-T-Break®
005231	1" F x 1" F Low Pull Reconnectable Safe-T-Break®

### Swivels

MODEL NO.	DESCRIPTION
000087	1" M x 1" F Multi-Plane Swivel
004860	1" M x 1" F Multi-Plane High Volume Swivel
000095	1" M x 1" F Multi-Plane 70° Pump Swivel
003395	1" M x 1" F Multi-Plane Restricted Swivel

### Swivel/Safe-T-Break® Combos

MODEL NO.	DESCRIPTION
005969	1" M Multi-Plane Swivel connected to 1" F Reconnectable Safe-T-Break®

### Spouts

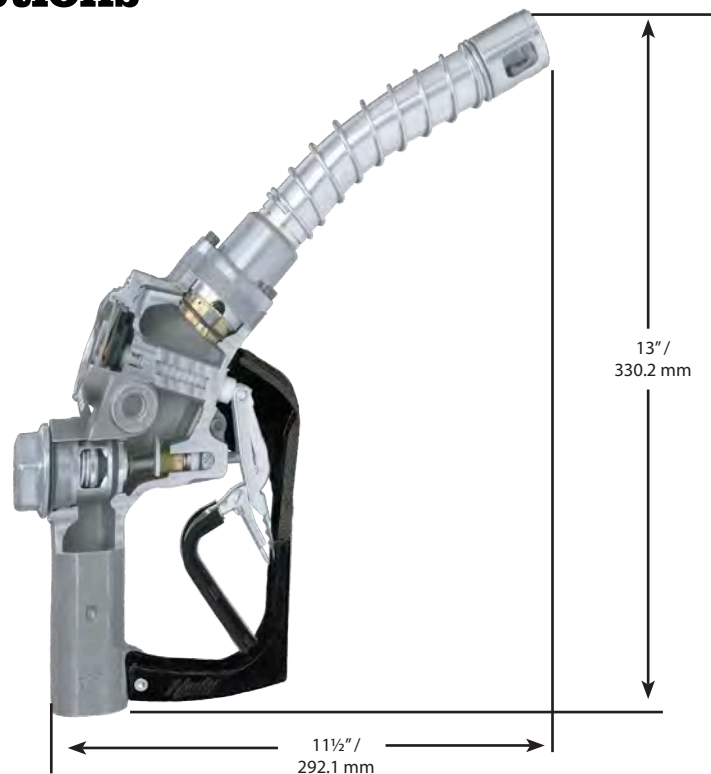
MODEL NO.	DESCRIPTION
002279	Complete Spout Assembly with Spout Bushing
005017	Complete Spout Assembly without Spout Bushing
003589	Complete Long Spout Assembly with Spout Bushing
011043	Complete Spout Assembly without Spout Bushing and Small Spout Spring

### Pressure/Vacuum Vents

MODEL NO.	DESCRIPTION
004620	2" Slip-On Pressure Vacuum Vent
004885	2" Thread-On Pressure Vacuum Vent - NPT
005885	2" Thread-On Pressure Vacuum Vent with Internal Screen - NPT

### Accessories, Testing and Maintenance

MODEL NO.	DESCRIPTION
003593	Hold Open Clip Kit
007089	Nozzle Service Kit
006645	Plunger Assembly Lift Tool



### Guards

MODEL NO.	DESCRIPTION
004740	Full Grip Guard
005516	Full Grip Reguard
005494	Lever Guard
008178	POPD® EZH Nozzle Guard
008177	POPD® EZS Nozzle Guard
007999	POPD® H Clear Cover
008186	POPD® H Full Grip Guard
008193	POPD® H Full Grip Reguard
008168	POPD® H Mate Guard
006628	POPD® S Clear Cover
007352	POPD® S Full Grip Guard
008194	POPD® S Full Grip Reguard
008167	POPD® S Mate Guard
001808	Waffle Splash Guard



2325 Husky Way • Pacific, MO 63069  
 (800) 325-3558 • Fax (636) 825-7300  
[www.husky.com](http://www.husky.com) • [sales@husky.com](mailto:sales@husky.com)

MADE IN THE U.S.A.





# VIIIS Rebuilt Nozzles



**Pressure activated, automatic shut-off nozzle with polymer handguard for truck stop and other high volume full-service, self-service and unattended stations.**

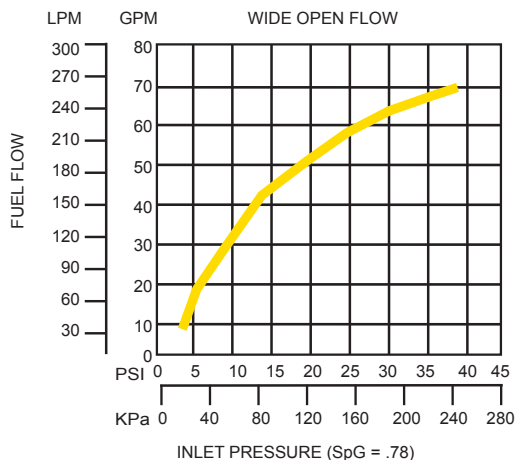
- VIIIS nozzle shuts off when:
  - the pump shuts off.
  - the gas tank is full.
  - the lever is opened before the pump is turned on.
  - the leak detector has not completed the test cycle.
- Nozzle is equipped with a unique Flo-Stop® device that shuts off the nozzle if it falls from the fill tank or raises above the horizontal.
- Spout is reinforced with thick aluminum bushing that retains spout spring and keeps spout from rounding-in; the two leading causes of clicking off and splash-back spillage.

## Rebuilt Heavy Duty Diesel Nozzles with NPT

MODEL NO.	DESCRIPTION	SHIPPING WEIGHT LBS (KG)
266010	with Three Notch Hold Open Clip, Waffle Splash Guard and Spout Bushing	4.6 (2.0)
503510	with Three Notch Hold Open Clip and Waffle Splash Guard without Spout Bushing	4.6 (2.0)

## Construction

Body	Aluminum
Seals	Fluorocarbon
Packing	Double o-ring seal protected by fiber reinforced Teflon®
Lever	One piece contoured steel
Inlet	1" / 25.4 mm NPT



WARNING: Cancer and Reproductive Harm - www.P65Warnings.ca.gov

**Husky**

GENERAL FUELING PRODUCTS

# VIIIIS Rebuilt Nozzles

Pressure activated, automatic shut-off nozzle with polymer handguard for truck stop and other high volume full-service, self-service and unattended stations.

## Dimensions and System Options

### Safe-T-Breaks®

MODEL NO.	DESCRIPTION
002276	1" F x 1" F Reconnectable Safe-T-Break®
005812	1" F x 1" F Non-Reconnectable Safe-T-Break®
006301	1" F x 1" F Non-Reconnectable PCC Safe-T-Break®
005231	1" F x 1" F Low Pull Reconnectable Safe-T-Break®

### Swivels

MODEL NO.	DESCRIPTION
000087	1" M x 1" F Multi-Plane Swivel
004860	1" M x 1" F Multi-Plane High Volume Swivel
000095	1" M x 1" F Multi-Plane 70° Pump Swivel
003395	1" M x 1" F Multi-Plane Restricted Swivel

### Swivel/Safe-T-Break® Combos

MODEL NO.	DESCRIPTION
005969	1" M Multi-Plane Swivel connected to 1" F Reconnectable Safe-T-Break®

### Spouts

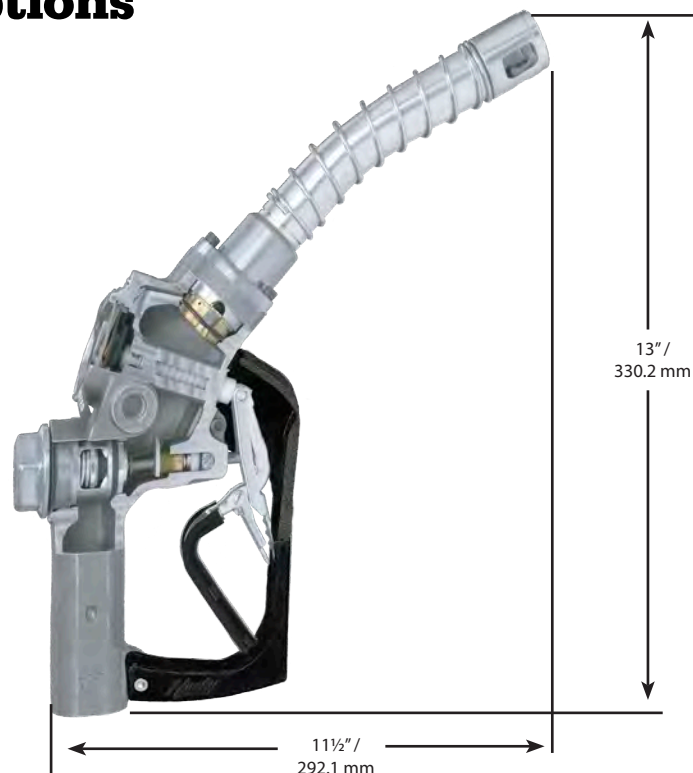
MODEL NO.	DESCRIPTION
002279	Complete Spout Assembly with Spout Bushing
005017	Complete Spout Assembly without Spout Bushing
003589	Complete Long Spout Assembly with Spout Bushing
011043	Complete Spout Assembly without Spout Bushing and Small Spout Spring

### Pressure/Vacuum Vents

MODEL NO.	DESCRIPTION
004620	2" Slip-On Pressure Vacuum Vent
004885	2" Thread-On Pressure Vacuum Vent - NPT
005885	2" Thread-On Pressure Vacuum Vent with Internal Screen - NPT

### Accessories, Testing and Maintenance

MODEL NO.	DESCRIPTION
003593	Hold Open Clip Kit
007089	Nozzle Service Kit
006645	Plunger Assy Lift Tool



### Guards

MODEL NO.	DESCRIPTION
004740	Full Grip Guard
005516	Full Grip Reguard
005494	Lever Guard
008178	POPD® EZH Nozzle Guard
008177	POPD® EZS Nozzle Guard
007999	POPD® H Clear Cover
008186	POPD® H Full Grip Guard
008193	POPD® H Full Grip Reguard
008168	POPD® H Mate Guard
006628	POPD® S Clear Cover
007352	POPD® S Full Grip Guard
008194	POPD® S Full Grip Reguard
008167	POPD® S Mate Guard
001808	Waffle Splash Guard



2325 Husky Way • Pacific, MO 63069  
 (800) 325-3558 • Fax (636) 825-7300  
[www.husky.com](http://www.husky.com) • [sales@husky.com](mailto:sales@husky.com)

MADE IN THE U.S.A.



# VIII Nozzles



**Automatic shut-off nozzle with metal handguard for truck stop and other high volume full-service, self-service and unattended stations.**

- VIII nozzle shuts off when the gas tank is full.
- Spout is reinforced with thick aluminum bushing that retains spout spring and keeps spout from rounding-in; the two leading causes of clicking off and splash-back spillage.
- Nozzle is equipped with a unique Flo-Stop® device that shuts off the nozzle if it falls from the fill tank or raises above the horizontal.

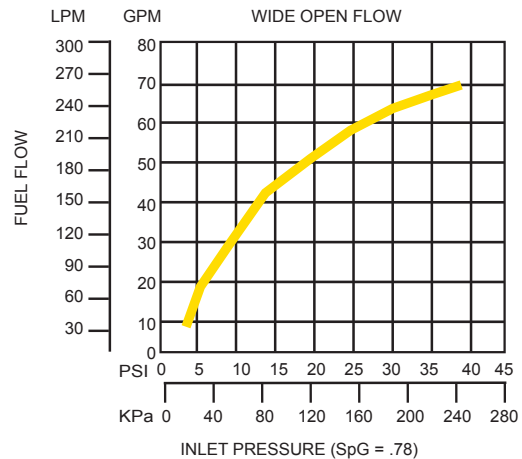
### New Heavy Duty Diesel Nozzles with NPT

MODEL NO.	DESCRIPTION	SHIPPING WEIGHT LBS (KG)
749310N^	with Three Notch Hold Open Clip, Waffle Splash Guard, and Spout Bushing	4.5 (2.0)
74931001N^	with Three Notch Hold Open Clip, Waffle Splash Guard, Long Spout, and Spout Bushing	4.7 (2.1)
750610N^	with Three Notch Hold Open Clip and Waffle Splash Guard, without Spout Bushing	4.4 (2.0)
75061001N^	with Three Notch Hold Open Clip, Waffle Splash Guard and Long Spout, without Spout Bushing	4.6 (2.1)
750612	without Hold Open Clip or Spout Bushing, with Waffle Splash Guard	4.4 (2.0)
7506230N^	with Three Notch Hold Open Clip, Waffle Splash Guard, and Short Spout Spring, without Spout Bushing	4.4 (2.0)
750681N^	with Three Notch Hold Open Clip, without Waffle Splash Guard or Spout Bushing	4.3 (2.0)
1108710N^	with Three Notch Hold Open Clip, Waffle Splash Guard and Spout Bushing, Nickel Plated Body	4.5 (2.0)

### Construction

^ NOT LISTED

Body	Aluminum
Seals	Fluorocarbon
Packing	Double o-ring seal protected by fiber reinforced Teflon®
Lever	One piece contoured steel
Inlet	1" / 25.4 mm NPT



WARNING: Cancer and Reproductive Harm - www.P65Warnings.ca.gov



# VIII Nozzles

Automatic shut-off nozzle with metal handguard for truck stop and other high volume full-service, self-service and unattended stations.

## Dimensions and System Options

### Safe-T-Breaks®

MODEL NO.	DESCRIPTION
002276	1" F x 1" F Reconnectable Safe-T-Break®
005812	1" F x 1" F Non-Reconnectable Safe-T-Break®
006301	1" F x 1" F Non-Reconnectable PCC Safe-T-Break®
005231	1" F x 1" F Low Pull Reconnectable Safe-T-Break®

### Swivels

MODEL NO.	DESCRIPTION
000087	1" M x 1" F Multi-Plane Swivel
004860	1" M x 1" F Multi-Plane High Volume Swivel
000095	1" M x 1" F Multi-Plane 70° Pump Swivel
003395	1" M x 1" F Multi-Plane Restricted Swivel

### Swivel/Safe-T-Break® Combos

MODEL NO.	DESCRIPTION
005969	1" M Multi-Plane Swivel connected to 1" F Reconnectable Safe-T-Break®

### Spouts

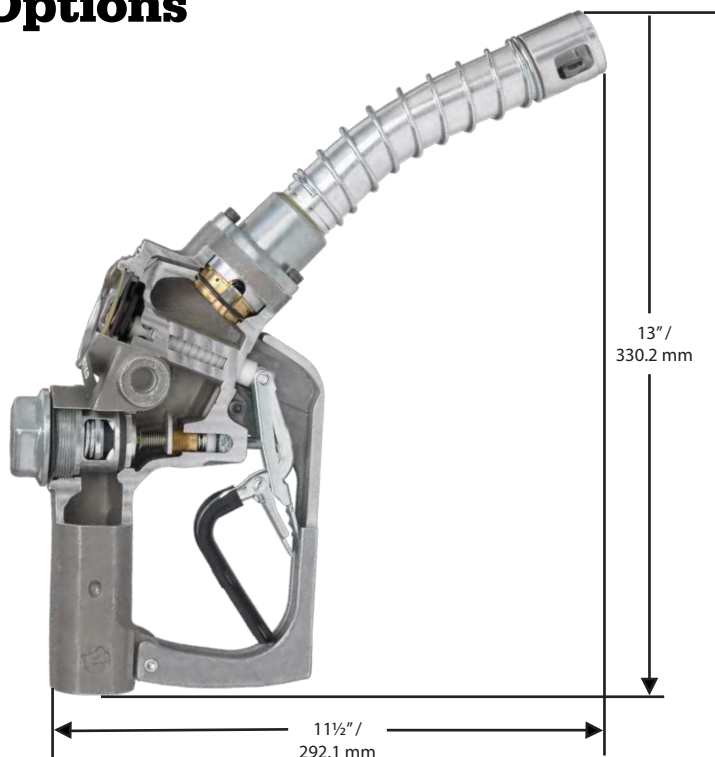
MODEL NO.	DESCRIPTION
002279	Complete Spout Assembly with Spout Bushing
005017	Complete Spout Assembly without Spout Bushing
003589	Complete Long Spout Assembly with Spout Bushing
011043	Complete Spout Assembly without Spout Bushing and Small Spout Spring

### Pressure/Vacuum Vents

MODEL NO.	DESCRIPTION
004620	2" Slip-On Pressure Vacuum Vent
004885	2" Thread-On Pressure Vacuum Vent - NPT
005885	2" Thread-On Pressure Vacuum Vent with Internal Screen - NPT

### Accessories, Testing and Maintenance

MODEL NO.	DESCRIPTION
003593	Hold Open Clip Kit
007089	Nozzle Service Kit
006645	Plunger Assembly Lift Tool



### Guards

MODEL NO.	DESCRIPTION
004740	Full Grip Guard
005516	Full Grip Reguard
005494	Lever Guard
008178	POPD® EZH Nozzle Guard
008177	POPD® EZS Nozzle Guard
007999	POPD® H Clear Cover
008186	POPD® H Full Grip Guard
008193	POPD® H Full Grip Reguard
008168	POPD® H Mate Guard
006628	POPD® S Clear Cover
007352	POPD® S Full Grip Guard
008194	POPD® S Full Grip Reguard
008167	POPD® S Mate Guard
001808	Waffle Splash Guard



2325 Husky Way • Pacific, MO 63069  
 (800) 325-3558 • Fax (636) 825-7300  
[www.husky.com](http://www.husky.com) • [sales@husky.com](mailto:sales@husky.com)

MADE IN THE U.S.A.

# VIII Nozzles



**Automatic shut-off nozzle with metal handguard for truck stop and other high volume full-service, self-service and unattended stations.**

- VIII nozzle shuts off when the gas tank is full.
- Spout is reinforced with thick aluminum bushing that retains spout spring and keeps spout from rounding-in; the two leading causes of clicking off and splash-back spillage.
- Nozzle is equipped with a unique Flo-Stop® device that shuts off the nozzle if it falls from the fill tank or raises above the horizontal.

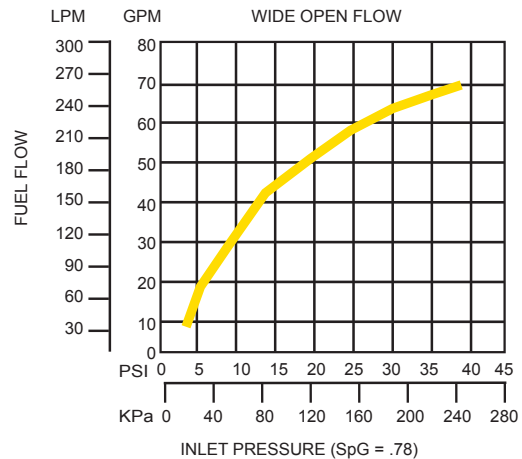
### New Heavy Duty Diesel Nozzles with NPT

MODEL NO.	DESCRIPTION	SHIPPING WEIGHT LBS (KG)
749310N <sup>^</sup>	with Three Notch Hold Open Clip, Waffle Splash Guard, and Spout Bushing	4.5 (2.0)
749312	without Hold Open Clip, with Waffle Splash Guard, and Spout Bushing	4.5 (2.0)
74931001N <sup>^</sup>	with Three Notch Hold Open Clip, Waffle Splash Guard, Long Spout, and Spout Bushing	4.7 (2.1)
750610N <sup>^</sup>	with Three Notch Hold Open Clip and Waffle Splash Guard, without Spout Bushing	4.4 (2.0)
75061001N <sup>^</sup>	with Three Notch Hold Open Clip, Waffle Splash Guard and Long Spout, without Spout Bushing	4.6 (2.1)
750612	without Hold Open Clip or Spout Bushing, with Waffle Splash Guard	4.4 (2.0)
7506230N <sup>^</sup>	with Three Notch Hold Open Clip, Waffle Splash Guard, and Short Spout Spring, without Spout Bushing	4.4 (2.0)
750681N <sup>^</sup>	with Three Notch Hold Open Clip, without Waffle Splash Guard or Spout Bushing	4.3 (2.0)
1108710N <sup>^</sup>	with Three Notch Hold Open Clip, Waffle Splash Guard and Spout Bushing, Nickel Plated Body	4.5 (2.0)
750623001N <sup>^</sup>	with Three Notch Hold Open Clip, Waffle Splash Guard, Long Spout, and Short Spout Spring, without Spout Bushing	4.5 (2.0)

<sup>^</sup> NOT LISTED

### Construction

Body	Aluminum
Seals	Fluorocarbon
Packing	Double o-ring seal protected by fiber reinforced Teflon®
Lever	One piece contoured steel
Inlet	1" / 25.4 mm NPT



**WARNING:** Cancer and Reproductive Harm - [www.P65Warnings.ca.gov](http://www.P65Warnings.ca.gov)





# VIII Nozzles

Automatic shut-off nozzle with metal handguard for truck stop and other high volume full-service, self-service and unattended stations.

## Dimensions and System Options

### Safe-T-Breaks®

MODEL NO.	DESCRIPTION
002276	1" F x 1" F Reconnectable Safe-T-Break®
005812	1" F x 1" F Non-Reconnectable Safe-T-Break®
006301	1" F x 1" F Non-Reconnectable PCC Safe-T-Break®
005231	1" F x 1" F Low Pull Reconnectable Safe-T-Break®

### Swivels

MODEL NO.	DESCRIPTION
000087	1" M x 1" F Multi-Plane Swivel
004860	1" M x 1" F Multi-Plane High Volume Swivel
000095	1" M x 1" F Multi-Plane 70° Pump Swivel
003395	1" M x 1" F Multi-Plane Restricted Swivel

### Swivel/Safe-T-Break® Combos

MODEL NO.	DESCRIPTION
005969	1" M Multi-Plane Swivel connected to 1" F Reconnectable Safe-T-Break®

### Spouts

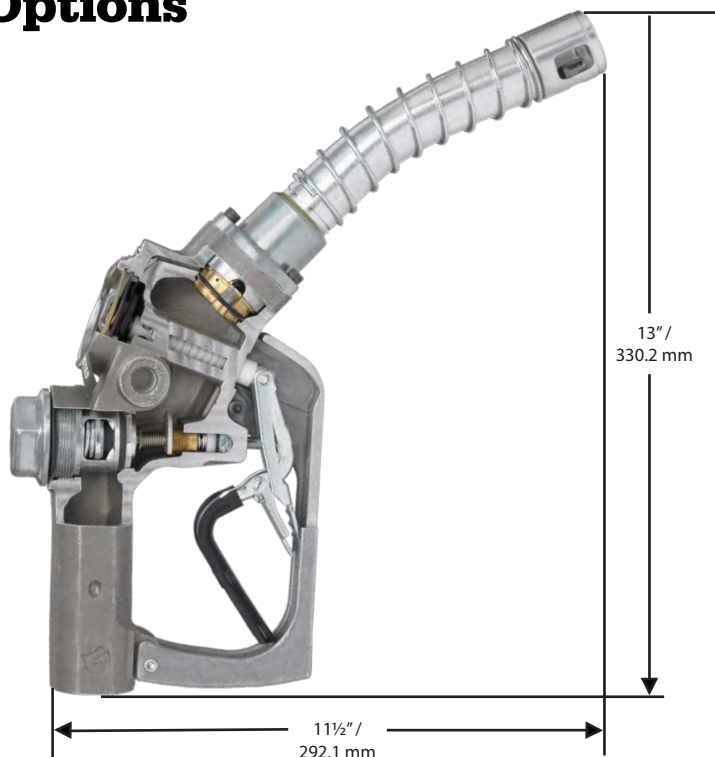
MODEL NO.	DESCRIPTION
002279	Complete Spout Assembly with Spout Bushing
005017	Complete Spout Assembly without Spout Bushing
003589	Complete Long Spout Assembly with Spout Bushing
011043	Complete Spout Assembly without Spout Bushing and Small Spout Spring

### Pressure/Vacuum Vents

MODEL NO.	DESCRIPTION
004620	2" Slip-On Pressure Vacuum Vent
004885	2" Thread-On Pressure Vacuum Vent - NPT
005885	2" Thread-On Pressure Vacuum Vent with Internal Screen - NPT

### Accessories, Testing and Maintenance

MODEL NO.	DESCRIPTION
003593	Hold Open Clip Kit
007089	Nozzle Service Kit
006645	Plunger Assembly Lift Tool



### Guards

MODEL NO.	DESCRIPTION
004740	Full Grip Guard
005516	Full Grip Reguard
005494	Lever Guard
008178	POPD® EZH Nozzle Guard
008177	POPD® EZS Nozzle Guard
007999	POPD® H Clear Cover
008186	POPD® H Full Grip Guard
008193	POPD® H Full Grip Reguard
008168	POPD® H Mate Guard
006628	POPD® S Clear Cover
007352	POPD® S Full Grip Guard
008194	POPD® S Full Grip Reguard
008167	POPD® S Mate Guard
001808	Waffle Splash Guard



2325 Husky Way • Pacific, MO 63069  
 (800) 325-3558 • Fax (636) 825-7300  
[www.husky.com](http://www.husky.com) • [sales@husky.com](mailto:sales@husky.com)

MADE IN THE U.S.A. 



# VIIIS Nozzles



4-15

HIGH VOLUME FUELING

**Pressure activated, automatic shut-off nozzle with metal handguard for truck stop and other high volume full-service, self-service and unattended stations.**

- VIIIS nozzle shuts off when:
  - the pump shuts off.
  - the gas tank is full.
  - the lever is opened before the pump is turned on.
  - the leak detector has not completed the test cycle.
- Nozzle is equipped with a unique Flo-Stop® device that shuts off the nozzle if it falls from the fill tank or raises above the horizontal.
- Spout is reinforced with thick aluminum bushing that retains spout spring and keeps spout from rounding-in; the two leading causes of clicking off and splash-back spillage.

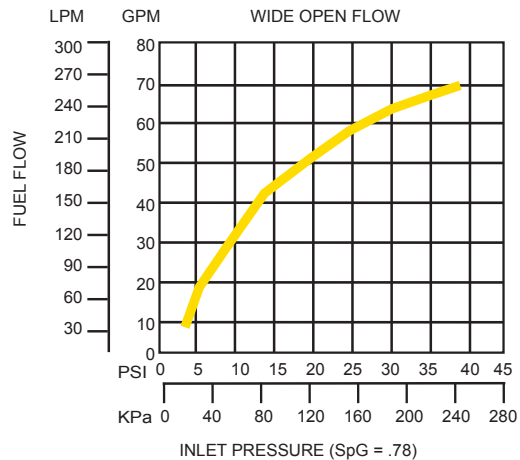


## New Heavy Duty Diesel Nozzles with NPT

MODEL NO.	DESCRIPTION	SHIPPING WEIGHT LBS (KG)
749610	with Three Notch Hold Open Clip, Waffle Splash Guard and Spout Bushing	4.5 (2.0)
74961001	with Three Notch Hold Open Clip, Waffle Splash Guard, Long Spout and Spout Bushing	4.7 (2.1)
749612	without Hold Open Clip, with Waffle Splash Guard and Spout Bushing	4.5 (2.0)
751010	with Three Notch Hold Open Clip and Waffle Splash Guard, without Spout Bushing	4.4 (2.0)

## Construction

Body	Aluminum
Seals	Fluorocarbon
Packing	Double o-ring seal protected by fiber reinforced Teflon®
Lever	One piece contoured steel
Inlet	1" / 25.4 mm NPT



WARNING: Cancer and Reproductive Harm - [www.P65Warnings.ca.gov](http://www.P65Warnings.ca.gov)



# VIIIS Nozzles

Pressure activated, automatic shut-off nozzle with metal handguard for truck stop and other high volume full-service, self-service and unattended stations.

## Dimensions and System Options

### Safe-T-Breaks®

MODEL NO.	DESCRIPTION
002276	1" F x 1" F Reconnectable Safe-T-Break®
005812	1" F x 1" F Non-Reconnectable Safe-T-Break®
006301	1" F x 1" F Non-Reconnectable PCC Safe-T-Break®
005231	1" F x 1" F Low Pull Reconnectable Safe-T-Break®

### Swivels

MODEL NO.	DESCRIPTION
000087	1" M x 1" F Multi-Plane Swivel
004860	1" M x 1" F Multi-Plane High Volume Swivel
000095	1" M x 1" F Multi-Plane 70° Pump Swivel
003395	1" M x 1" F Multi-Plane Restricted Swivel

### Swivel/Safe-T-Break® Combos

MODEL NO.	DESCRIPTION
005969	1" M Multi-Plane Swivel connected to 1" F Reconnectable Safe-T-Break®

### Spouts

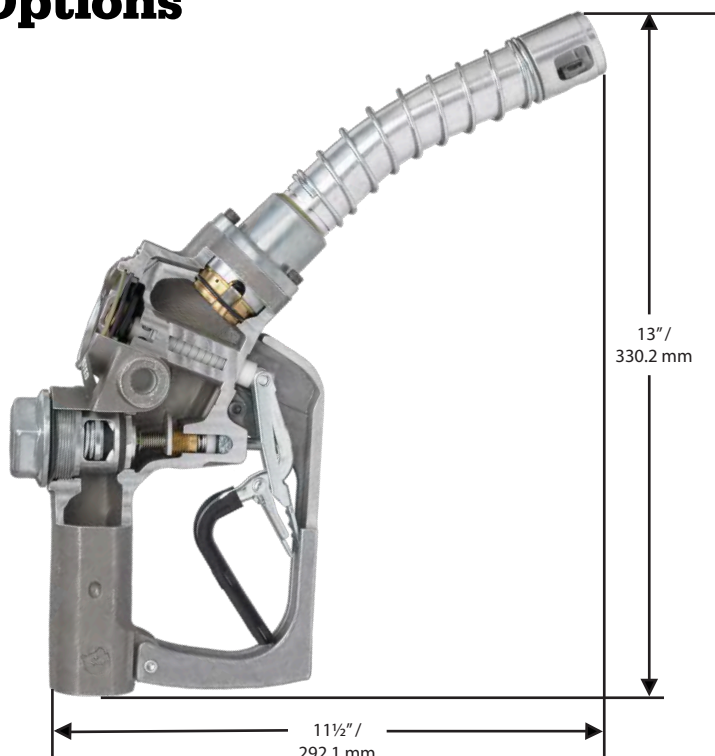
MODEL NO.	DESCRIPTION
002279	Complete Spout Assembly with Spout Bushing
005017	Complete Spout Assembly without Spout Bushing
003589	Complete Long Spout Assembly with Spout Bushing
011043	Complete Spout Assembly without Spout Bushing and Small Spout Spring

### Pressure/Vacuum Vents

MODEL NO.	DESCRIPTION
004620	2" Slip-On Pressure Vacuum Vent
004885	2" Thread-On Pressure Vacuum Vent - NPT
005885	2" Thread-On Pressure Vacuum Vent with Internal Screen - NPT

### Accessories, Testing and Maintenance

MODEL NO.	DESCRIPTION
003593	Hold Open Clip Kit
007089	Nozzle Service Kit
006645	Plunger Assy Lift Tool



### Guards

MODEL NO.	DESCRIPTION
004740	Full Grip Guard
005516	Full Grip Reguard
005494	Lever Guard
008178	POPD® EZH Nozzle Guard
008177	POPD® EZS Nozzle Guard
007999	POPD® H Clear Cover
008186	POPD® H Full Grip Guard
008193	POPD® H Full Grip Reguard
008168	POPD® H Mate Guard
006628	POPD® S Clear Cover
007352	POPD® S Full Grip Guard
008194	POPD® S Full Grip Reguard
008167	POPD® S Mate Guard
001808	Waffle Splash Guard



2325 Husky Way • Pacific, MO 63069  
 (800) 325-3558 • Fax (636) 825-7300  
[www.husky.com](http://www.husky.com) • [sales@husky.com](mailto:sales@husky.com)

MADE IN THE U.S.A.

# VIII CW Nozzles



## Automatic shut-off nozzle with metal handguard for truck stops and other high volume applications.

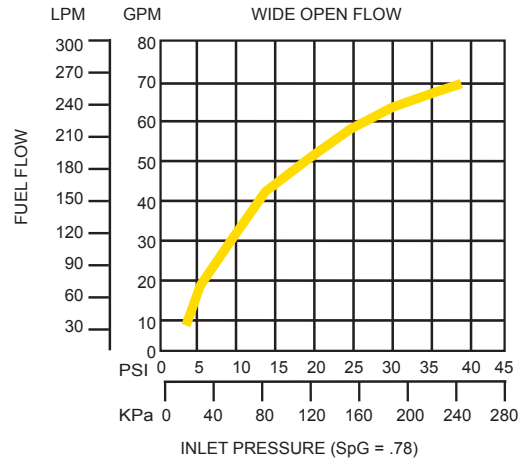
- Nozzle shuts off when the gas tank is full.
- Nozzle is equipped with a unique Flo-Stop® device that shuts off the nozzle if it falls from the fill tank or raises above the horizontal.
- Contains a poppet disc seal designed to prevent fuel leakage from the main seal in extreme cold weather.
- Standard nozzle spout is reinforced with a thick aluminum bushing that holds the spout spring in place and keeps the spout from rounding in.

### New Nozzles

MODEL NO.	DESCRIPTION	SHIPPING WEIGHT LBS (KG)
751510N <sup>^</sup>	with Three Notch Hold Open Clip, Waffle Splash Guard and Spout Bushing	4.5 (2.0)
751710N <sup>^</sup>	with Three Notch Hold Open Clip and Waffle Splash Guard, without Spout Bushing	4.4 (2.0)

### Construction

		^ NOT LISTED
Body	Aluminum	
Seals	Fluorocarbon	
Packing	Double o-ring seal protected by fiber reinforced Teflon®	
Lever	One piece contoured steel with hard plastic cover	
Inlet	1" / 25.4 mm NPT	



WARNING: Cancer and Reproductive Harm - www.P65Warnings.ca.gov



# VIII CW Nozzles

Automatic shut-off nozzle with metal handguard for truck stops and other high volume applications.

## Dimensions and System Options

### Safe-T-Breaks®

MODEL NO.	DESCRIPTION
002276	1" F x 1" F Reconnectable Safe-T-Break®
005812	1" F x 1" F Non-Reconnectable Safe-T-Break®
006301	1" F x 1" F Non-Reconnectable PCC Safe-T-Break®
005231	1" F x 1" F Low Pull Reconnectable Safe-T-Break®

### Swivels

MODEL NO.	DESCRIPTION
000087	1" M x 1" F Multi-Plane Swivel
004860	1" M x 1" F Multi-Plane High Volume Swivel
000095	1" M x 1" F Multi-Plane 70° Pump Swivel
003395	1" M x 1" F Multi-Plane Restricted Swivel

### Swivel•Safe-T-Break® Combos

MODEL NO.	DESCRIPTION
005969	1" M Multi-Plane Swivel connected to 1" F Reconnectable Safe-T-Break®

### Spouts

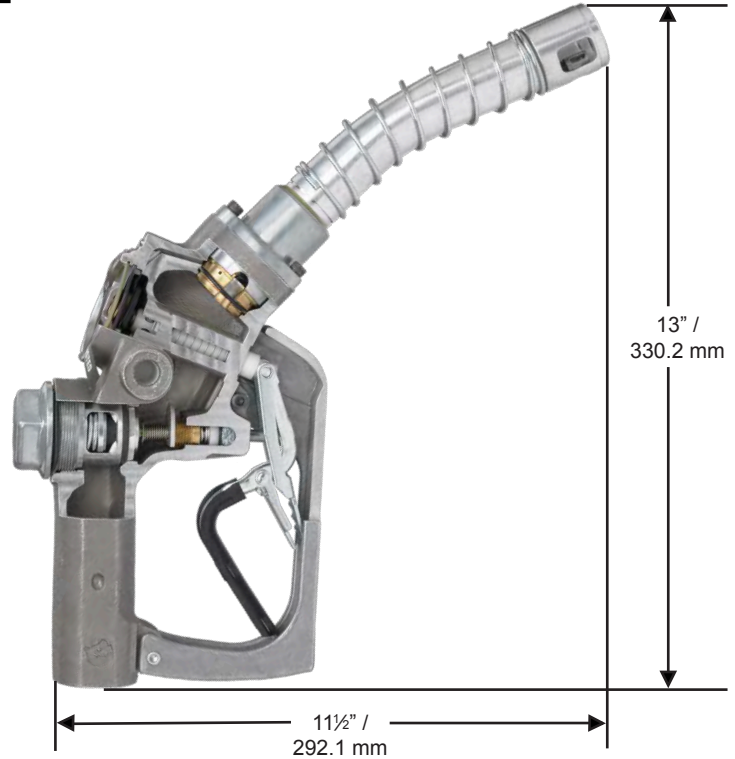
MODEL NO.	DESCRIPTION
002279	Complete Spout Assembly Kit with Bushing
005017	Complete Spout Assembly Kit without Bushing
003589	Complete Long Spout Assembly with Spout Bushing
011043	Complete Spout Assembly without Spout Bushing and Small Spout Spring

### Pressure/Vacuum Vents

MODEL NO.	DESCRIPTION
004620	2" Slip-On Pressure Vacuum Vent
004885	2" Thread-On Pressure Vacuum Vent - NPT
005885	2" Thread-On Pressure Vacuum Vent with Internal Screen - NPT

### Accessories, Testing and Maintenance

MODEL NO.	DESCRIPTION
003593	Hold Open Clip Kit
007089	Nozzle Service Kit
006645	Plunger Assembly Lift Tool



### Guards

MODEL NO.	DESCRIPTION
004740	Full Grip Guard
005516	Full Grip Reguard
005494	Lever Guard
008178	POPD® EZH Nozzle Guard
008177	POPD® EZS Nozzle Guard
007999	POPD® H Clear Cover
008186	POPD® H Full Grip Guard
008193	POPD® H Full Grip Reguard
008168	POPD® H Mate Guard
006628	POPD® S Clear Cover
007352	POPD® S Full Grip Guard
008194	POPD® S Full Grip Reguard
008167	POPD® S Mate Guard
001808	Waffle Splash Guard



2325 Husky Way • Pacific, MO 63069  
 (800) 325-3558 • Fax (636) 825-7300  
[www.husky.com](http://www.husky.com) • [sales@husky.com](mailto:sales@husky.com)

MADE IN THE U.S.A.

# VIIIS CW Nozzles



**Pressure activated nozzle with metal handguard for self-service and unattended stations.**

- VIIIS Nozzle shuts off when:
  - the pump shuts off.
  - the gas tank is full.
  - the lever is opened before the pump is turned on.
  - the leak detector has not completed the test cycle.
- Nozzle is equipped with a unique Flo-Stop® device that shuts off the nozzle if it falls from the fill tank or raises above the horizontal.
- Contains a poppet disc seal, rated at -40° F/C, to prevent fuel leakage from the main seal in extreme cold weather.
- Contains a poppet disc seal designed to prevent fuel leakage from the main seal in extreme cold weather.
- Spout is reinforced with a thick aluminum bushing that holds the spout spring in place and keeps the spout from rounding in - the two leading causes of clicking-off and splash-back spillage.

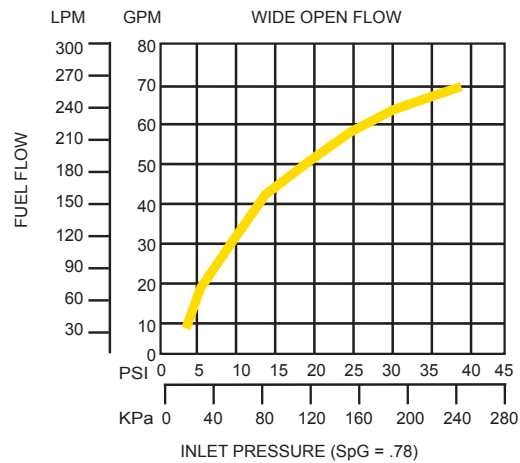


## New Nozzles

MODEL NO.	DESCRIPTION	SHIPPING WEIGHT LBS (KG)
751910	with Three Notch Hold Open Clip, Waffle Splash Guard and Spout Bushing	4.5 (2.0)

## Construction

Body	Aluminum
Seals	Fluorocarbon
Packing	Double o-ring seal protected by fiber reinforced Teflon®
Lever	One piece contoured steel with hard plastic cover
Inlet	1" / 25.4 mm NPT



WARNING: Cancer and Reproductive Harm - [www.P65Warnings.ca.gov](http://www.P65Warnings.ca.gov)



# VIIIS CW Nozzles

Pressure activated nozzle with metal handguard for self-service and unattended stations.

## Dimensions and System Options

### Safe-T-Breaks®

MODEL NO.	DESCRIPTION
002276	1" F x 1" F Reconnectable Safe-T-Break®
005812	1" F x 1" F Non-Reconnectable Safe-T-Break®
006301	1" F x 1" F Non-Reconnectable PCC Safe-T-Break®
005231	1" F x 1" F Low Pull Reconnectable Safe-T-Break®

### Swivels

MODEL NO.	DESCRIPTION
000087	1" M x 1" F Multi-Plane Swivel
004860	1" M x 1" F Multi-Plane High Volume Swivel
000095	1" M x 1" F Multi-Plane 70° Pump Swivel
003395	1" M x 1" F Multi-Plane Restricted Swivel

### Swivel•Safe-T-Break® Combos

MODEL NO.	DESCRIPTION
005969	1" M Multi-Plane Swivel connected to 1" F Reconnectable Safe-T-Break®

### Spouts

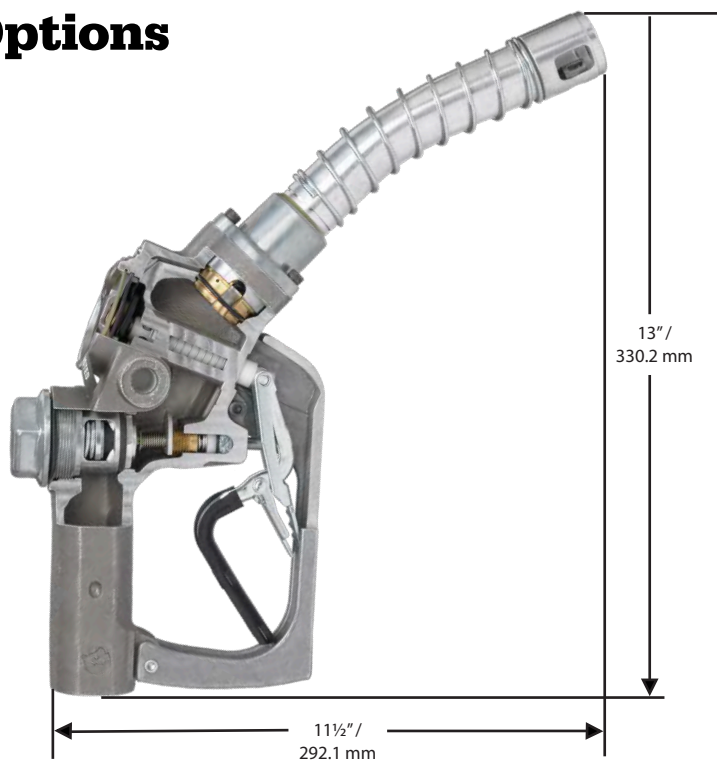
MODEL NO.	DESCRIPTION
002279	Complete Spout Assembly Kit with Bushing
005017	Complete Spout Assembly Kit without Bushing
003589	Complete Long Spout Assembly with Spout Bushing
011043	Complete Spout Assembly without Bushing and Small Spout Spring

### Pressure/Vacuum Vents

MODEL NO.	DESCRIPTION
004620	2" Slip-On Pressure Vacuum Vent
004885	2" Thread-On Pressure Vacuum Vent - NPT
005885	2" Thread-On Pressure Vacuum Vent with Internal Screen - NPT

### Accessories, Testing and Maintenance

MODEL NO.	DESCRIPTION
003593	Hold Open Clip Kit
007089	Nozzle Service Kit
006645	Plunger Assembly Lift Tool



### Guards

MODEL NO.	DESCRIPTION
004740	Full Grip Guard
005516	Full Grip Reguard
005494	Lever Guard
008178	POPD® EZH Nozzle Guard
008177	POPD® EZS Nozzle Guard
007999	POPD® H Clear Cover
008186	POPD® H Full Grip Guard
008193	POPD® H Full Grip Reguard
008168	POPD® H Mate Guard
006628	POPD® S Clear Cover
007352	POPD® S Full Grip Guard
008194	POPD® S Full Grip Reguard
008167	POPD® S Mate Guard
001808	Waffle Splash Guard



2325 Husky Way • Pacific, MO 63069  
 (800) 325-3558 • Fax (636) 825-7300  
[www.husky.com](http://www.husky.com) • [sales@husky.com](mailto:sales@husky.com)

MADE IN THE U.S.A.



# VIII Rebuilt Nozzles



**Automatic shut-off nozzle with metal handguard for truck stop and other high volume full-service, self-service and unattended stations.**

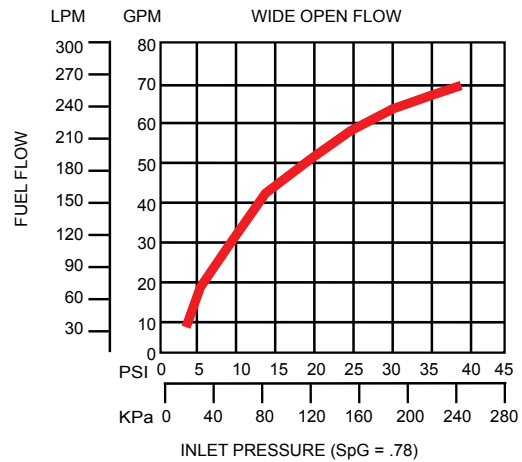
- VIII nozzle shuts off when the gas tank is full.
- Spout is reinforced with thick aluminum bushing that retains spout spring and keeps spout from rounding-in; the two leading causes of clicking off and splash-back spillage.
- Nozzle is equipped with a unique Flo-Stop® device that shuts off the nozzle if it falls from the fill tank or raises above the horizontal.

## Rebuilt Heavy Duty Diesel Nozzles with NPT

MODEL NO.	DESCRIPTION	SHIPPING WEIGHT LBS (KG)
749910N <sup>^</sup>	with Three Notch Hold Open Clip, Waffle Splash Guard and Spout Bushing	4.5 (2.0)
		<sup>^</sup> NOT LISTED

## Construction

Body	Aluminum
Seals	Fluorocarbon
Packing	Double o-ring seal protected by fiber reinforced Teflon®
Lever	One piece contoured steel
Inlet	1" / 25.4 mm NPT



WARNING: Cancer and Reproductive Harm - [www.P65Warnings.ca.gov](http://www.P65Warnings.ca.gov)

**Husky**

GENERAL FUELING PRODUCTS

# VIII Rebuilt Nozzles

**Automatic shut-off nozzle with metal handguard for truck stop and other high volume full-service, self-service and unattended stations.**

## Dimensions and System Options

### Safe-T-Breaks®

MODEL NO.	DESCRIPTION
002276	1" F x 1" F Reconnectable Safe-T-Break®
005812	1" F x 1" F Non-Reconnectable Safe-T-Break®
006301	1" F x 1" F Non-Reconnectable PCC Safe-T-Break®
005231	1" F x 1" F Low Pull Reconnectable Safe-T-Break®

### Swivels

MODEL NO.	DESCRIPTION
000087	1" M x 1" F Multi-Plane Swivel
004860	1" M x 1" F Multi-Plane High Volume Swivel
000095	1" M x 1" F Multi-Plane 70° Pump Swivel
003395	1" M x 1" F Multi-Plane Restricted Swivel

### Swivel/Safe-T-Break® Combos

MODEL NO.	DESCRIPTION
005969	1" M Multi-Plane Swivel connected to 1" F Reconnectable Safe-T-Break®

### Spouts

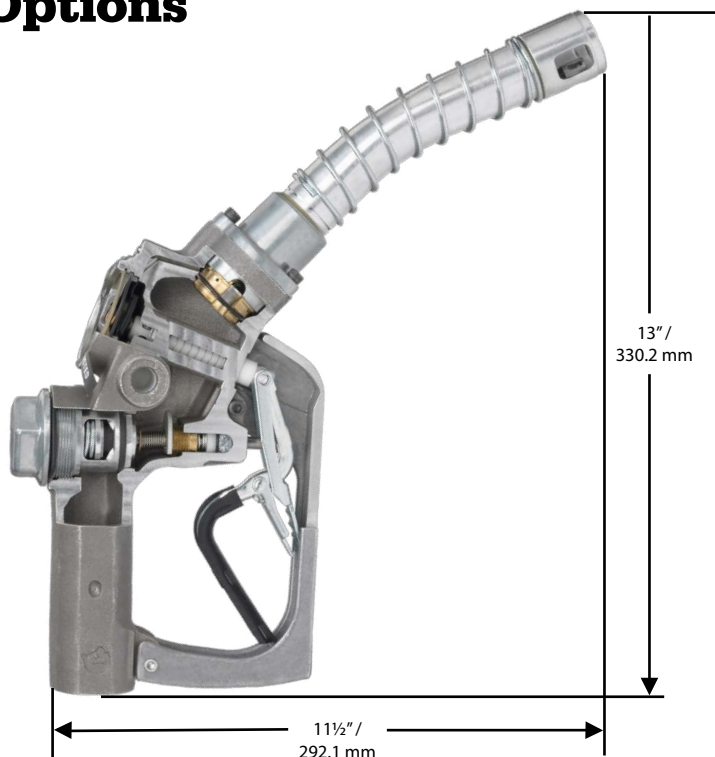
MODEL NO.	DESCRIPTION
002279	Complete Spout Assembly with Spout Bushing
005017	Complete Spout Assembly without Spout Bushing
003589	Complete Long Spout Assembly with Spout Bushing
011043	Complete Spout Assembly without Spout Bushing and Small Spout Spring

### Pressure/Vacuum Vents

MODEL NO.	DESCRIPTION
004620	2" Slip-On Pressure Vacuum Vent
004885	2" Thread-On Pressure Vacuum Vent - NPT
005885	2" Thread-On Pressure Vacuum Vent with Internal Screen - NPT

### Accessories, Testing and Maintenance

MODEL NO.	DESCRIPTION
003593	Hold Open Clip Kit
007089	Nozzle Service Kit
006645	Plunger Assembly Lift Tool



### Guards

MODEL NO.	DESCRIPTION
004740	Full Grip Guard
005516	Full Grip Reguard
005494	Lever Guard
008178	POPD® EZH Nozzle Guard
008177	POPD® EZS Nozzle Guard
007999	POPD® H Clear Cover
008186	POPD® H Full Grip Guard
008193	POPD® H Full Grip Reguard
008168	POPD® H Mate Guard
006628	POPD® S Clear Cover
007352	POPD® S Full Grip Guard
008194	POPD® S Full Grip Reguard
008167	POPD® S Mate Guard
001808	Waffle Splash Guard



2325 Husky Way • Pacific, MO 63069  
 (800) 325-3558 • Fax (636) 825-7300  
[www.husky.com](http://www.husky.com) • [sales@husky.com](mailto:sales@husky.com)

MADE IN THE U.S.A.



# VIIIS Rebuilt Nozzles



4-19

HIGH VOLUME FUELING

**Pressure activated, automatic shut-off nozzle with metal handguard for truck stop and other high volume full-service, self-service and unattended stations**

- VIIIS nozzle shuts off when:
  - the pump shuts off.
  - the gas tank is full.
  - the lever is opened before the pump is turned on.
  - the leak detector has not completed the test cycle.
- Nozzle is equipped with a unique Flo-Stop® device that shuts off the nozzle if it falls from the fill tank or raises above the horizontal.
- Spout is reinforced with thick aluminum bushing that retains spout spring and keeps spout from rounding-in; the two leading causes of clicking off and splash-back spillage.

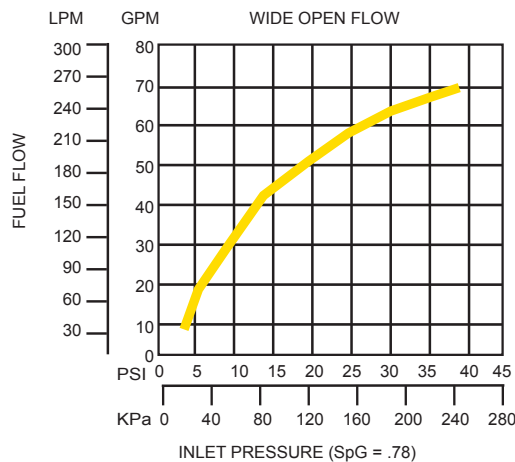


## Rebuilt Heavy Duty Diesel Nozzles with NPT

MODEL NO.	DESCRIPTION	SHIPPING WEIGHT LBS (KG)
750210	with Three Notch Hold Open Clip, Waffle Splash Guard and Spout Bushing	4.5 (2.0)

### Construction

Body	Aluminum
Seals	Fluorocarbon
Packing	Double o-ring seal protected by fiber reinforced Teflon®
Lever	One piece contoured steel
Inlet	1" / 25.4 mm NPT



WARNING: Cancer and Reproductive Harm - [www.P65Warnings.ca.gov](http://www.P65Warnings.ca.gov)

**Husky**

GENERAL FUELING PRODUCTS

# VIIIIS Rebuilt Nozzles

Pressure activated, automatic shut-off nozzle with metal handguard for truck stop and other high volume full-service, self-service and unattended stations.

## Dimensions and System Options

### Safe-T-Breaks®

MODEL NO.	DESCRIPTION
002276	1" F x 1" F Reconnectable Safe-T-Break®
005812	1" F x 1" F Non-Reconnectable Safe-T-Break®
006301	1" F x 1" F Non-Reconnectable PCC Safe-T-Break®
005231	1" F x 1" F Low Pull Reconnectable Safe-T-Break®

### Swivels

MODEL NO.	DESCRIPTION
000087	1" M x 1" F Multi-Plane Swivel
004860	1" M x 1" F Multi-Plane High Volume Swivel
000095	1" M x 1" F Multi-Plane 70° Pump Swivel
003395	1" M x 1" F Multi-Plane Restricted Swivel

### Swivel/Safe-T-Break® Combos

MODEL NO.	DESCRIPTION
005969	1" M Multi-Plane Swivel connected to 1" F Reconnectable Safe-T-Break®

### Spouts

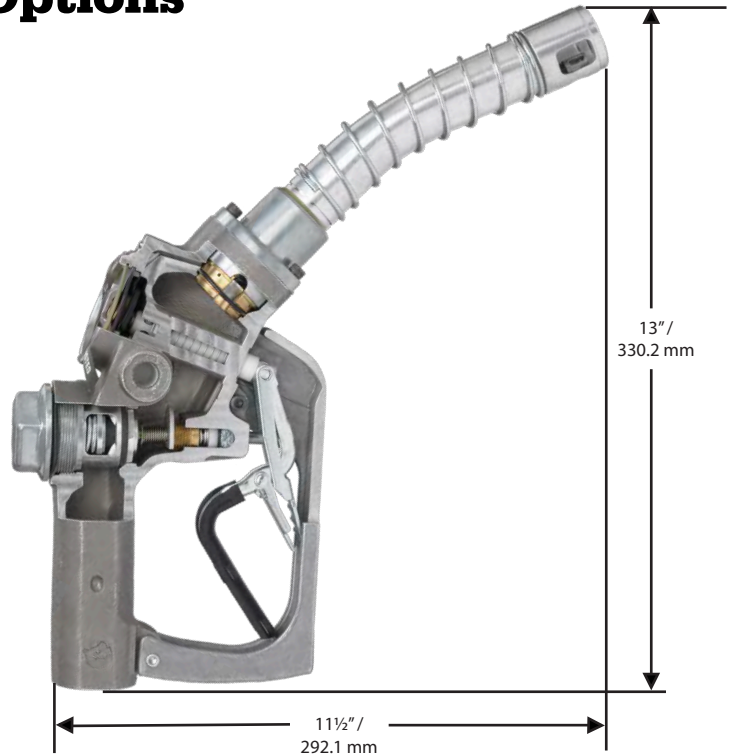
MODEL NO.	DESCRIPTION
002279	Complete Spout Assembly with Spout Bushing
005017	Complete Spout Assembly without Spout Bushing
003589	Complete Long Spout Assembly with Spout Bushing
011043	Complete Spout Assembly without Spout Bushing and Small Spout Spring

### Pressure/Vacuum Vents

MODEL NO.	DESCRIPTION
004620	2" Slip-On Pressure Vacuum Vent
004885	2" Thread-On Pressure Vacuum Vent - NPT
005885	2" Thread-On Pressure Vacuum Vent with Internal Screen - NPT

### Accessories, Testing and Maintenance

MODEL NO.	DESCRIPTION
003593	Hold Open Clip Kit
007089	Nozzle Service Kit
006645	Plunger Assy Lift Tool



### Guards

MODEL NO.	DESCRIPTION
004740	Full Grip Guard
005516	Full Grip Reguard
005494	Lever Guard
008178	POPD® EZH Nozzle Guard
008177	POPD® EZS Nozzle Guard
007999	POPD® H Clear Cover
008186	POPD® H Full Grip Guard
008193	POPD® H Full Grip Reguard
008168	POPD® H Mate Guard
006628	POPD® S Clear Cover
007352	POPD® S Full Grip Guard
008194	POPD® S Full Grip Reguard
008167	POPD® S Mate Guard
001808	Waffle Splash Guard



2325 Husky Way • Pacific, MO 63069  
 (800) 325-3558 • Fax (636) 825-7300  
[www.husky.com](http://www.husky.com) • [sales@husky.com](mailto:sales@husky.com)

MADE IN THE U.S.A.



# VIII BSPP Nozzles



**Automatic shut-off nozzle with metal handguard for truck stop and other high volume full-service, self-service and unattended stations.**

- VIII nozzle shuts off when the gas tank is full.
- Nozzle is equipped with a unique Flo-Stop® device that shuts off the nozzle if it falls from the fill tank or raises above the horizontal.
- Spout is reinforced with thick aluminum bushing that retains spout spring and keeps spout from rounding-in: the two leading causes of clicking off and splash-back spillage.

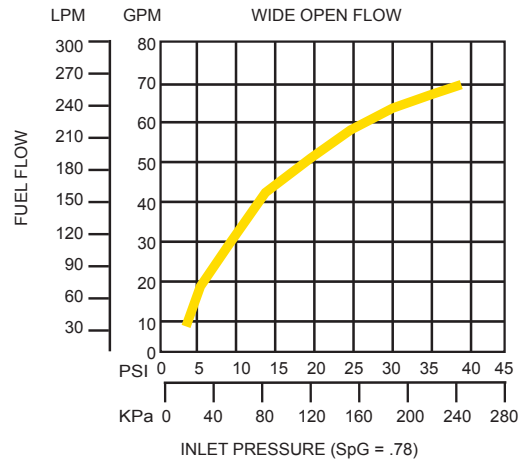


## New Nozzles

MODEL NO.	DESCRIPTION	SHIPPING WEIGHT LBS (KG)
749338N <sup>^</sup>	with Three Notch Hold Open Clip, Waffle Splash Guard and Spout Bushing	4.5 (2.0)
1108738N <sup>^</sup>	with Three Notch Hold Open Clip, Waffle Splash Guard and Spout Bushing, Nickel Plated Body	4.5 (2.0)

## Construction

Body	Aluminum
Seals	Fluorocarbon
Packing	Double o-ring seal protected by fiber reinforced Teflon®
Lever	One piece contoured steel
Inlet	1" / 25.4 mm BSPP



**WARNING:** Cancer and Reproductive Harm - [www.P65Warnings.ca.gov](http://www.P65Warnings.ca.gov)



# VIII BSPP Nozzles

Automatic shut-off nozzle with metal handguard for truck stop and other high volume full-service, self-service and unattended stations.

## Dimensions and System Options

### BSPP Safe-T-Breaks®

MODEL NO.	DESCRIPTION
003076	1" F x 1" F Reconnectable Safe-T-Break®
003076A	1" F x 1" F Reconnectable Safe-T-Break® - Atex
006914	1" F x 1" F Non-Reconnectable Safe-T-Break®

### BSPP Swivels

MODEL NO.	DESCRIPTION
003306	1" M x 1" F Multi-Plane Swivel
006949	1" M x 1" F Multi-Plane High Flow Swivel

### BSPP Swivel/Safe-T-Break® Combos

MODEL NO.	DESCRIPTION
008015	1" M BSPP Multi-Plane Swivel connected to 1" F BSPP Reconnectable Safe-T-Break®
008015A	1" M BSPP Multi-Plane Swivel connected to 1" F BSPP Reconnectable Safe-T-Break® - Atex

### Spouts

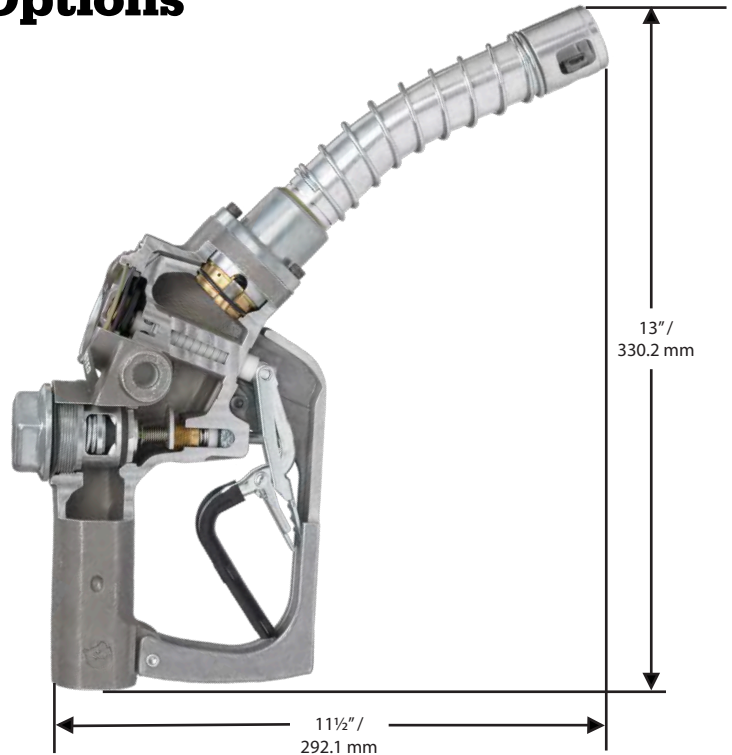
MODEL NO.	DESCRIPTION
002279	Complete Spout Assembly Kit with Bushing
005017	Complete Spout Assembly Kit without Bushing
003589	Complete Long Spout Assembly with Spout Bushing
011043	Complete Spout Assembly without Bushing and Small Spout Spring

### Pressure/Vacuum Vents

MODEL NO.	DESCRIPTION
004620	2" Slip-On Pressure Vacuum Vent
004885	2" Thread-On Pressure Vacuum Vent - NPT
005885	2" Thread-On Pressure Vacuum Vent with Internal Screen - NPT

### Accessories, Testing and Maintenance

MODEL NO.	DESCRIPTION
003593	Hold Open Clip Kit
007089	Nozzle Service Kit
006645	Plunger Assembly Lift Tool



### Guards

MODEL NO.	DESCRIPTION
004740	Full Grip Guard
005516	Full Grip Reguard
005494	Lever Guard
008178	POPD® EZH Nozzle Guard
008177	POPD® EZS Nozzle Guard
007999	POPD® H Clear Cover
008186	POPD® H Full Grip Guard
008193	POPD® H Full Grip Reguard
008168	POPD® H Mate Guard
006628	POPD® S Clear Cover
007352	POPD® S Full Grip Guard
008194	POPD® S Full Grip Reguard
008167	POPD® S Mate Guard
001808	Waffle Splash Guard



2325 Husky Way • Pacific, MO 63069  
 (800) 325-3558 • Fax (636) 825-7300  
[www.husky.com](http://www.husky.com) • [sales@husky.com](mailto:sales@husky.com)

MADE IN THE U.S.A. 



# 1HSS Nozzles



**Pressure activated, automatic shut-off nozzle with polymer handguard for dispensing up to 25 gpm / 94.6 Lpm.**

- 1HSS nozzle shuts off when:
  - the pump shuts off.
  - the gas tank is full.
  - the lever is opened before the pump is turned on.
  - the leak detector has not completed the test cycle.
- Comes standard with smooth full grip guard.
- Optional EZ Lever and tilt poppet:
  - two piece lever design cuts opening force in half.
  - maximizes “to-the-penny” dispensing.
  - ADA compliant.
- Nozzle is equipped with a unique Flo-Stop® device that shuts off the nozzle if it falls from the fill tank or raises above the horizontal.



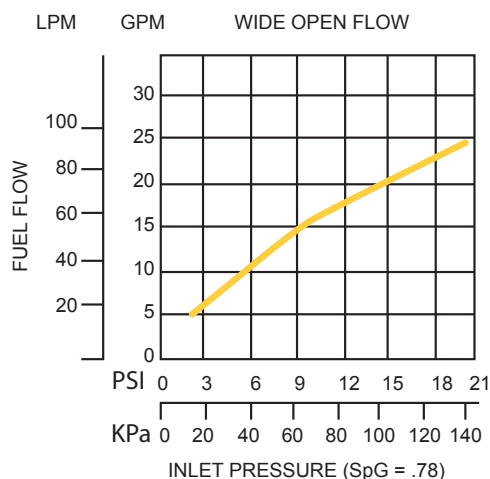
## New Diesel Nozzles with NPT

MODEL NO.	DESCRIPTION	SHIPPING WEIGHT LBS (KG)
1217110	with Three Notch Hold Open Clip	3.4 (1.5)
1217165	with Three Notch Hold Open Clip and Waffle Splash Guard	3.4 (1.5)
1437710N <sup>^</sup>	with Two Notch Hold Open Clip, EZ Lever and Tilt Poppet	3.4 (1.5)

<sup>^</sup> NOT LISTED

## Construction

Body	Die cast aluminum body with high impact polymer hand guard
Seals	Fluorocarbon
Packing	Double o-ring seal protected by fiber reinforced Teflon®
Lever	One piece contoured steel with hard plastic cover
Inlet	1" / 25.4 mm NPT and BSPP



WARNING: Cancer and Reproductive Harm - [www.P65Warnings.ca.gov](http://www.P65Warnings.ca.gov)



# 1HSS Nozzles

Pressure activated, automatic shut-off nozzle with polymer handguard for dispensing up to 25 gpm / 94.6 Lpm.

## Dimensions and System Options

### Safe-T-Breaks®

MODEL NO.	DESCRIPTION
002276	1" F x 1" F NPT Reconnectable Safe-T-Break®
005812	1" F x 1" F NPT Non-Reconnectable Safe-T-Break®
006301	1" F x 1" F NPT Non-Reconnectable PCC Safe-T-Break®
005231	1" F x 1" F NPT Low Pull Reconnectable Safe-T-Break®
003076	1" F x 1" F BSPP Reconnectable Safe-T-Break®
003076A	1" F x 1" F BSPP Reconnectable Safe-T-Break® - Atex
006914	1" F x 1" F BSPP Non-Reconnectable Safe-T-Break®

### Swivels

MODEL NO.	DESCRIPTION
000087	1" M x 1" F NPT Multi-Plane Swivel
004860	1" M x 1" F NPT Multi-Plane High Flow Swivel
000095	1" M x 1" F NPT 70° Pump Swivel
003395	1" M x 1" F NPT Multi-Plane Restricted Swivel
003306	1" M x 1" F BSPP Multi-Plane Swivel
006949	1" M x 1" F BSPP Multi-Plane High Flow Swivel

### Swivel/Safe-T-Break® Combos

MODEL NO.	DESCRIPTION
005969	1" M NPTF Multi-Plane Swivel connected to 1" F NPT Reconnectable Safe-T-Break®
008015	1" M BSPP Multi-Plane Swivel connected to 1" F BSPP Reconnectable Safe-T-Break®
008015A	1" M BSPP Multi-Plane Swivel connected to 1" F BSPP Reconnectable Safe-T-Break® - Atex

### Spouts

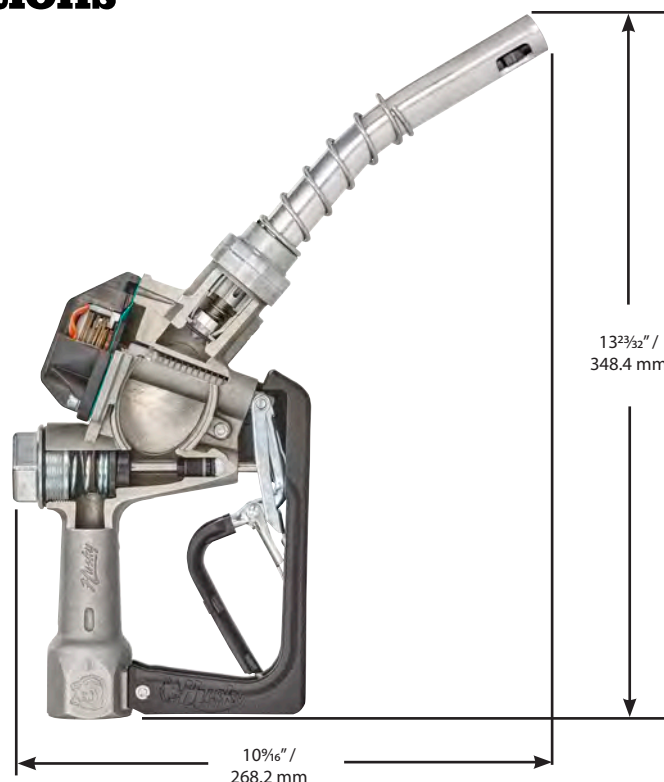
MODEL NO.	DESCRIPTION
005215	Heavy Duty Diesel Spout with Flo-Stop®

### Pressure/Vacuum Vents

MODEL NO.	DESCRIPTION
004620	2" Slip-On Pressure Vacuum Vent
004885	2" Thread-On Pressure Vacuum Vent - NPT
005885	2" Thread-On Pressure Vacuum Vent with Internal Screen - NPT

### Accessories, Testing and Maintenance

MODEL NO.	DESCRIPTION
003593	Hold Open Clip Kit
007089	Nozzle Service Kit



### Guards

MODEL NO.	DESCRIPTION
000554	Full Grip Nozzle Guard
001804	Full Grip Nozzle Reguard
005494	Lever Guard
007376	Mate Handle Cover
000226	Mate Nozzle Guard
008180	POPD® EZH Nozzle Guard
008179	POPD® EZS Nozzle Guard
007999	POPD® H Clear Cover
008183	POPD® H Full Grip Guard
008190	POPD® H Full Grip Reguard
008170	POPD® H Mate Guard
006628	POPD® S Clear Cover
006655	POPD® S Full Grip Guard
007210	POPD® S Full Grip Reguard
008169	POPD® S Mate Guard
000099	Protection Package
001811	Reguard Package
001808	Waffle Splash Guard



2325 Husky Way • Pacific, MO 63069  
 (800) 325-3558 • Fax (636) 825-7300  
[www.husky.com](http://www.husky.com) • [sales@husky.com](mailto:sales@husky.com)

MADE IN THE U.S.A.

# 1HSS Nozzles



**Pressure activated, automatic shut-off nozzle with metal handguard for dispensing up to 25 gpm / 94.6 Lpm.**

- 1HSS nozzle shuts off when:
  - the pump shuts off.
  - the gas tank is full.
  - the lever is opened before the pump is turned on.
  - the leak detector has not completed the test cycle.
- Comes standard with smooth full grip guard.
- Nozzle is equipped with a unique Flo-Stop® device that shuts off the nozzle if it falls from the fill tank or raises above the horizontal.

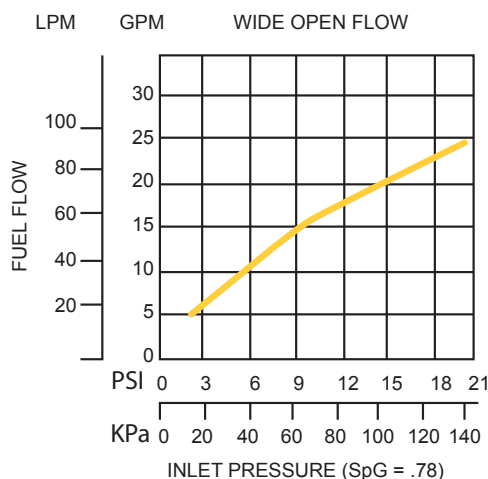


## New Diesel Nozzles with NPT

MODEL NO.	DESCRIPTION	SHIPPING WEIGHT LBS (KG)
1217410	with Three Notch Hold Open Clip	3.4 (1.5)
12174240	with Single Notch Hold Open Clip	3.4 (1.5)

## Construction

Body	Die cast aluminum with metal hand guard
Seals	Fluorocarbon
Packing	Double o-ring seal protected by fiber reinforced Teflon®
Lever	One piece contoured steel with hard plastic cover
Inlet	1" / 25.4 mm NPT & BSPP



WARNING: Cancer and Reproductive Harm - [www.P65Warnings.ca.gov](http://www.P65Warnings.ca.gov)



# 1HSS Nozzles

Pressure activated, automatic shut-off nozzle with metal handguard for dispensing up to 25 gpm / 94.6 Lpm.

## Dimensions and System Options

### Safe-T-Breaks®

MODEL NO.	DESCRIPTION
002276	1" F x 1" F NPT Reconnectable Safe-T-Break®
005812	1" F x 1" F NPT Non-Reconnectable Safe-T-Break®
006301	1" F x 1" F NPT Non-Reconnectable PCC Safe-T-Break®
005231	1" F x 1" F NPT Low Pull Reconnectable Safe-T-Break®
003076	1" F x 1" F BSPP Reconnectable Safe-T-Break®
003076A	1" F x 1" F BSPP Reconnectable Safe-T-Break® - Atex
006914	1" F x 1" F BSPP Non-Reconnectable Safe-T-Break®

### Swivels

MODEL NO.	DESCRIPTION
000087	1" M x 1" F NPT Multi-Plane Swivel
004860	1" M x 1" F NPT Multi-Plane High Flow Swivel
000095	1" M x 1" F NPT 70° Pump Swivel
003395	1" M x 1" F NPT Multi-Plane Restricted Swivel
003306	1" M x 1" F BSPP Multi-Plane Swivel
006949	1" M x 1" F BSPP Multi-Plane High Flow Swivel

### Swivel/Safe-T-Break® Combos

MODEL NO.	DESCRIPTION
005969	1" M NPT Multi-Plane Swivel connected to 1" F NPT Reconnectable Safe-T-Break®
008015	1" M BSPP Multi-Plane Swivel connected to 1" F BSPP Reconnectable Safe-T-Break®
008015A	1" M BSPP Multi-Plane Swivel connected to 1" F BSPP Reconnectable Safe-T-Break® - Atex

### Spouts

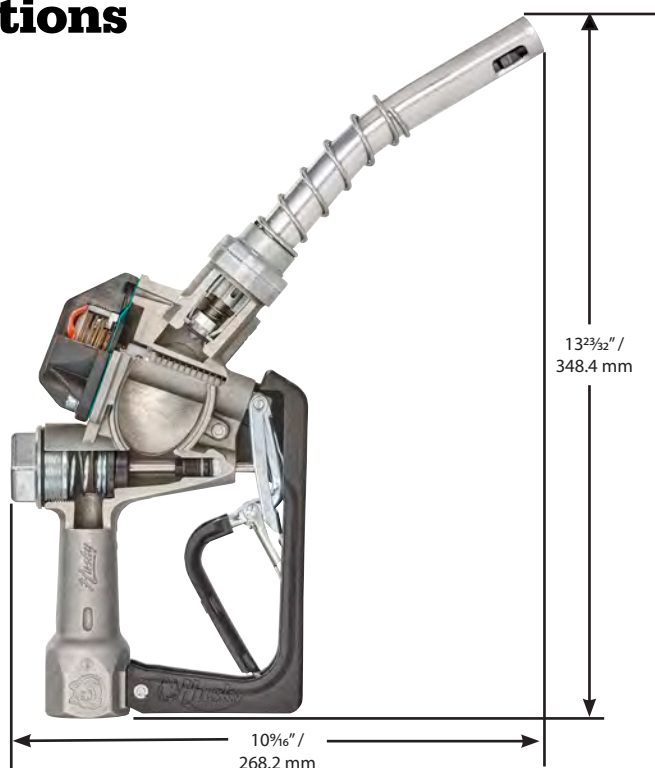
MODEL NO.	DESCRIPTION
005215	Heavy Duty Diesel Spout with Flo-Stop®

### Pressure/Vacuum Vents

MODEL NO.	DESCRIPTION
004620	2" Slip-On Pressure Vacuum Vent
004885	2" Thread-On Pressure Vacuum Vent - NPT
005885	2" Thread-On Pressure Vacuum Vent with Internal Screen - NPT

### Accessories, Testing and Maintenance

MODEL NO.	DESCRIPTION
003593	Hold Open Clip Kit
007089	Nozzle Service Kit



### Guards

MODEL NO.	DESCRIPTION
000554	Full Grip Nozzle Guard
001804	Full Grip Nozzle Reguard
005494	Lever Guard
007295	Mate Handle Cover
000226	Mate Nozzle Guard
008180	POPD® EZH Nozzle Guard
008179	POPD® EZS Nozzle Guard
007999	POPD® H Clear Cover
008183	POPD® H Full Grip Guard
008190	POPD® H Full Grip Reguard
008170	POPD® H Mate Guard
006628	POPD® S Clear Cover
006655	POPD® S Full Grip Guard
007210	POPD® S Full Grip Reguard
008169	POPD® S Mate Guard
000099	Protection Package
001811	Reguard Package
001808	Waffle Splash Guard



2325 Husky Way • Pacific, MO 63069  
 (800) 325-3558 • Fax (636) 825-7300  
[www.husky.com](http://www.husky.com) • [sales@husky.com](mailto:sales@husky.com)

MADE IN THE U.S.A.

# 1HSS CW Nozzles



**Pressure activated, automatic shut-off nozzle with polymer handguard for dispensing up to 25 gpm / 94.6 Lpm.**

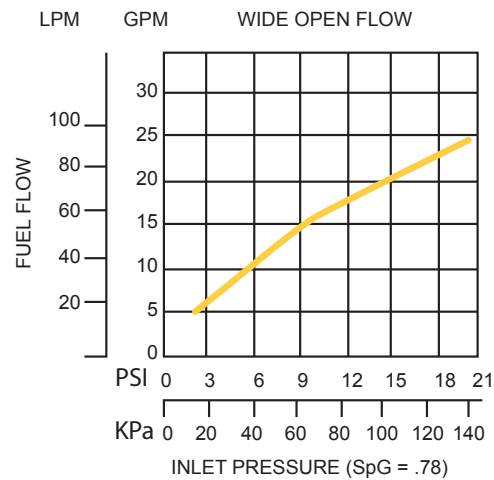
- 1HSS nozzle shuts off when:
  - the pump shuts off.
  - the gas tank is full.
  - the lever is opened before the pump is turned on.
  - the leak detector has not completed the test cycle.
- Nozzle is equipped with a unique Flo-Stop® device that shuts off the nozzle if it falls from the fill tank or raises above the horizontal.
- Comes standard with smooth full grip guard.
- Contains a poppet disc seal, rated at -40° F/C to prevent fuel leakage from the main seal in extreme cold weather.

## New Diesel Nozzles with NPT

MODEL NO.	DESCRIPTION	SHIPPING WEIGHT LBS (KG)
1399910	with Three Notch Hold Open Clip	3.4 (1.5)

## Construction

Body	Die cast aluminum body with high impact polymer hand guard
Seals	Fluorocarbon
Packing	Double o-ring seal protected by fiber reinforced Teflon®
Lever	One piece contoured steel with hard plastic cover
Inlet	1" / 25.4 mm NPT and BSPP



WARNING: Cancer and Reproductive Harm - www.P65Warnings.ca.gov



# 1HSS CW Nozzles

Pressure activated, automatic shut-off nozzle with polymer handguard for dispensing up to 25 gpm / 94.6 Lpm.

## Dimensions and System Options

### Safe-T-Breaks®

MODEL NO.	DESCRIPTION
002276	1" F x 1" F NPT Reconnectable Safe-T-Break®
005812	1" F x 1" F NPT Non-Reconnectable Safe-T-Break®
006301	1" F x 1" F NPT Non-Reconnectable PCC Safe-T-Break®
005231	1" F x 1" F NPT Low Pull Reconnectable Safe-T-Break®
003076	1" F x 1" F BSPP Reconnectable Safe-T-Break®
003076A	1" F x 1" F BSPP Reconnectable Safe-T-Break® - Atex
006914	1" F x 1" F BSPP Non-Reconnectable Safe-T-Break®

### Swivels

MODEL NO.	DESCRIPTION
000087	1" M x 1" F NPT Multi-Plane Swivel
004860	1" M x 1" F NPT Multi-Plane High Flow Swivel
000095	1" M x 1" F NPT 70° Pump Swivel
003395	1" M x 1" F NPT Multi-Plane Restricted Swivel
003306	1" M x 1" F BSPP Multi-Plane Swivel
006949	1" M x 1" F BSPP Multi-Plane High Flow Swivel

### Swivel/Safe-T-Break® Combos

MODEL NO.	DESCRIPTION
005969	1" M NPTF Multi-Plane Swivel connected to 1" F NPT Reconnectable Safe-T-Break®
008015	1" M BSPP Multi-Plane Swivel connected to 1" F BSPP Reconnectable Safe-T-Break®
008015A	1" M BSPP Multi-Plane Swivel connected to 1" F BSPP Reconnectable Safe-T-Break® - Atex

### Spouts

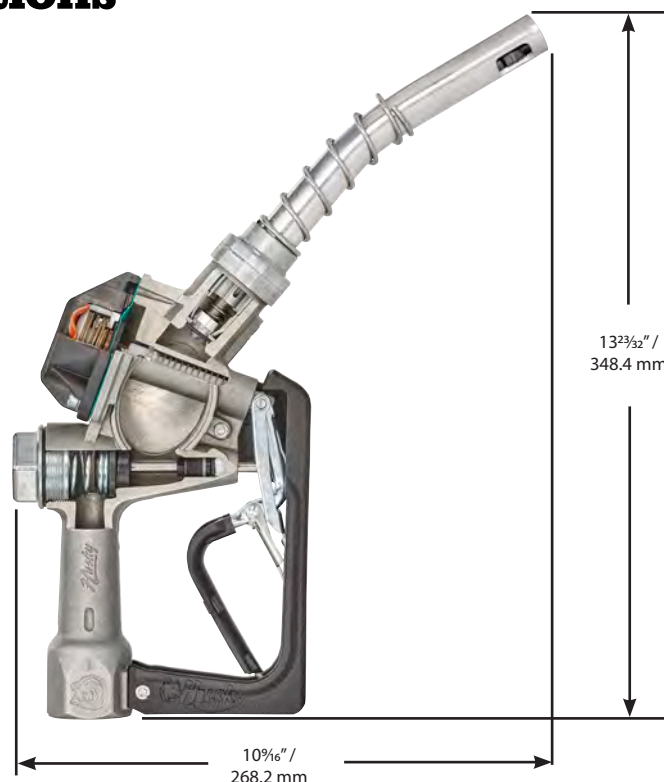
MODEL NO.	DESCRIPTION
005215	Heavy Duty Diesel Spout with Flo-Stop®

### Pressure/Vacuum Vents

MODEL NO.	DESCRIPTION
004620	2" Slip-On Pressure Vacuum Vent
004885	2" Thread-On Pressure Vacuum Vent - NPT
005885	2" Thread-On Pressure Vacuum Vent with Internal Screen - NPT

### Accessories, Testing and Maintenance

MODEL NO.	DESCRIPTION
003593	Hold Open Clip Kit
007089	Nozzle Service Kit



### Guards

MODEL NO.	DESCRIPTION
000554	Full Grip Nozzle Guard
001804	Full Grip Nozzle Reguard
005494	Lever Guard
007376	Mate Handle Cover
000226	Mate Nozzle Guard
008180	POPD® EZH Nozzle Guard
008179	POPD® EZS Nozzle Guard
007999	POPD® H Clear Cover
008183	POPD® H Full Grip Guard
008190	POPD® H Full Grip Reguard
008170	POPD® H Mate Guard
006628	POPD® S Clear Cover
006655	POPD® S Full Grip Guard
007210	POPD® S Full Grip Reguard
008169	POPD® S Mate Guard
000099	Protection Package
001811	Reguard Package
001808	Waffle Splash Guard



2325 Husky Way • Pacific, MO 63069  
 (800) 325-3558 • Fax (636) 825-7300  
[www.husky.com](http://www.husky.com) • [sales@husky.com](mailto:sales@husky.com)

MADE IN THE U.S.A.



# 1HSS CW Nozzles



**Pressure activated, automatic shut-off nozzle with metal handguard for dispensing up to 25 gpm / 94.6 Lpm.**

- 1HSS nozzle shuts off when:
  - the pump shuts off.
  - the gas tank is full.
  - the lever is opened before the pump is turned on.
  - the leak detector has not completed the test cycle.
- Nozzle is equipped with a unique Flo-Stop® device that shuts off the nozzle if it falls from the fill tank or raises above the horizontal.
- Comes standard with smooth full grip guard.
- Contains a poppet disc seal, rated at -40° F/C to prevent fuel leakage from the main seal in extreme cold weather.

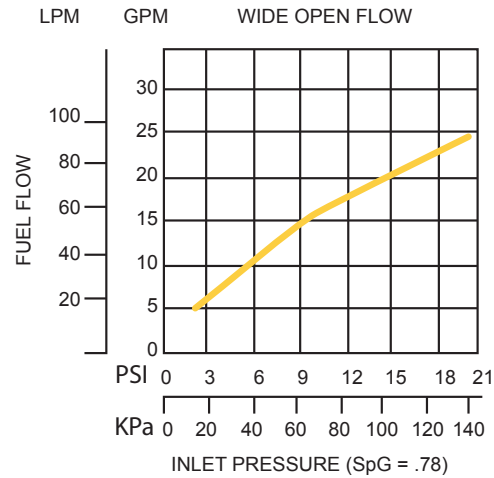


## New Diesel Nozzles with NPT

MODEL NO.	DESCRIPTION	SHIPPING WEIGHT LBS (KG)
1400110	with Three Notch Hold Open Clip	3.4 (1.5)

## Construction

Body	Die cast aluminum with metal hand guard
Seals	Fluorocarbon
Packing	Double o-ring seal protected by fiber reinforced Teflon®
Lever	One piece contoured steel with hard plastic cover
Inlet	1" / 25.4 mm NPT & BSPP



WARNING: Cancer and Reproductive Harm - [www.P65Warnings.ca.gov](http://www.P65Warnings.ca.gov)

**Husky**

GENERAL FUELING PRODUCTS

# 1HSS CW Nozzles

Pressure activated, automatic shut-off nozzle with metal handguard for dispensing up to 25 gpm / 94.6 Lpm.

## Dimensions and System Options

### Safe-T-Breaks®

MODEL NO.	DESCRIPTION
002276	1" F x 1" F NPT Reconnectable Safe-T-Break®
005812	1" F x 1" F NPT Non-Reconnectable Safe-T-Break®
006301	1" F x 1" F NPT Non-Reconnectable PCC Safe-T-Break®
005231	1" F x 1" F NPT Low Pull Reconnectable Safe-T-Break®
003076	1" F x 1" F BSPP Reconnectable Safe-T-Break®
003076A	1" F x 1" F BSPP Reconnectable Safe-T-Break® - Atex
006914	1" F x 1" F BSPP Non-Reconnectable Safe-T-Break®

### Swivels

MODEL NO.	DESCRIPTION
000087	1" M x 1" F NPT Multi-Plane Swivel
004860	1" M x 1" F NPT Multi-Plane High Flow Swivel
000095	1" M x 1" F NPT 70° Pump Swivel
003395	1" M x 1" F NPT Multi-Plane Restricted Swivel
003306	1" M x 1" F BSPP Multi-Plane Swivel
006949	1" M x 1" F BSPP Multi-Plane High Flow Swivel

### Swivel/Safe-T-Break® Combos

MODEL NO.	DESCRIPTION
005969	1" M NPT Multi-Plane Swivel connected to 1" F NPT Reconnectable Safe-T-Break®
008015	1" M BSPP Multi-Plane Swivel connected to 1" F BSPP Reconnectable Safe-T-Break®
008015A	1" M BSPP Multi-Plane Swivel connected to 1" F BSPP Reconnectable Safe-T-Break® - Atex

### Spouts

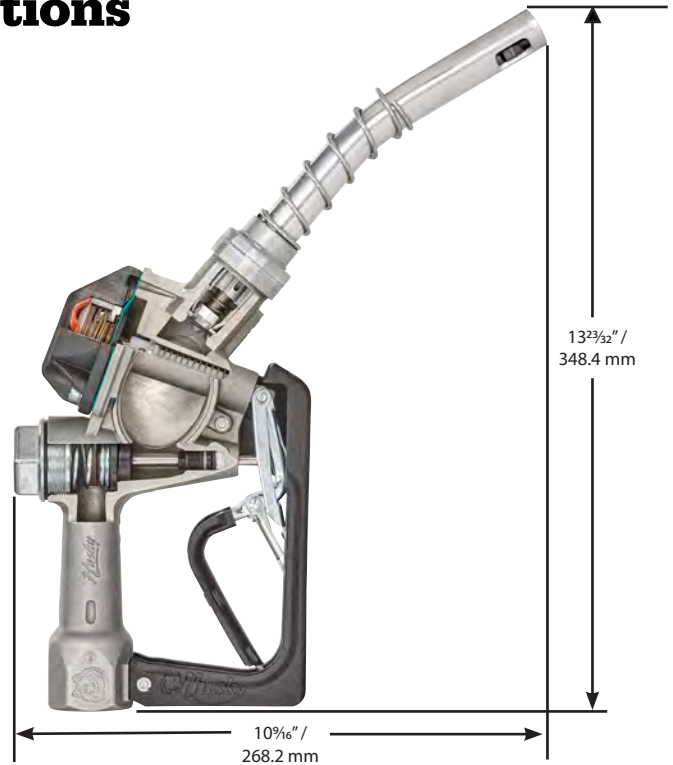
MODEL NO.	DESCRIPTION
005215	Heavy Duty Diesel Spout with Flo-Stop®

### Pressure/Vacuum Vents

MODEL NO.	DESCRIPTION
004620	2" Slip-On Pressure Vacuum Vent
004885	2" Thread-On Pressure Vacuum Vent - NPT
005885	2" Thread-On Pressure Vacuum Vent with Internal Screen - NPT

### Accessories, Testing and Maintenance

MODEL NO.	DESCRIPTION
003593	Hold Open Clip Kit
007089	Nozzle Service Kit



### Guards

MODEL NO.	DESCRIPTION
000554	Full Grip Nozzle Guard
001804	Full Grip Nozzle Reguard
005494	Lever Guard
007295	Mate Handle Cover
000226	Mate Nozzle Guard
008180	POPD® EZH Nozzle Guard
008179	POPD® EZS Nozzle Guard
007999	POPD® H Clear Cover
008183	POPD® H Full Grip Guard
008190	POPD® H Full Grip Reguard
008170	POPD® H Mate Guard
006628	POPD® S Clear Cover
006655	POPD® S Full Grip Guard
007210	POPD® S Full Grip Reguard
008169	POPD® S Mate Guard
000099	Protection Package
001811	Reguard Package
001808	Waffle Splash Guard



2325 Husky Way • Pacific, MO 63069  
 (800) 325-3558 • Fax (636) 825-7300  
[www.husky.com](http://www.husky.com) • [sales@husky.com](mailto:sales@husky.com)

MADE IN THE U.S.A.



GENERAL FUELING PRODUCTS

# Vapor Recovery Nozzles

# V34iSA DP Nozzles



**Pressure activated, automatic shut-off vacuum assist nozzle for full-service, self-service and unattended stations.**

- V34iSA Nozzle shuts off when:
  - the pump shuts off.
  - the gas tank is full.
  - the lever is opened before the pump is turned on.
  - the leak detector has not completed the test cycle.
- Strong vapor valve in the nozzle that is mechanically operated by the on-off action of the nozzle's lever.
- Nozzle Models 7345041N and 7345041A are equipped with a unique Flo-Stop® device that shuts off the nozzle if it falls from the fill tank or raises above the horizontal.
- StreamShaper® reduces turbulence for straighter flow and less splash back spillage.
- Nozzle is equipped with a double poppet for precise, slow-flow, to-the-penny dispensing.
- Husky® vapor return line is an internal part of the body casting, thus eliminating potential vapor leak points and fugitive evaporative emissions from the fuel remaining in the vapor path of the hose.
- Uses conventional spout without spout ring and aluminum vapor escape guard.
- Vapor assist is achieved at the body end of the spout where a vapor ring captures emissions.



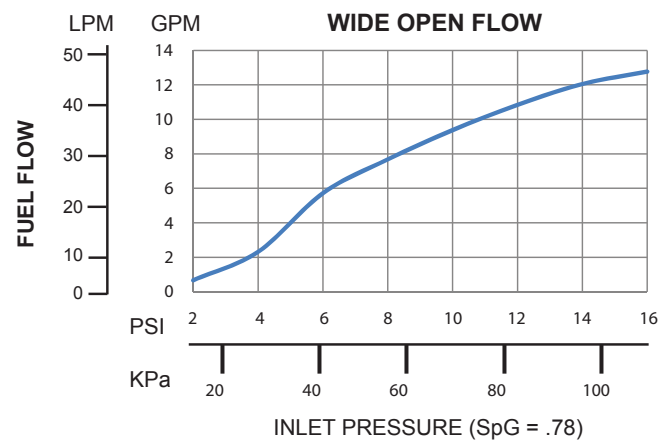
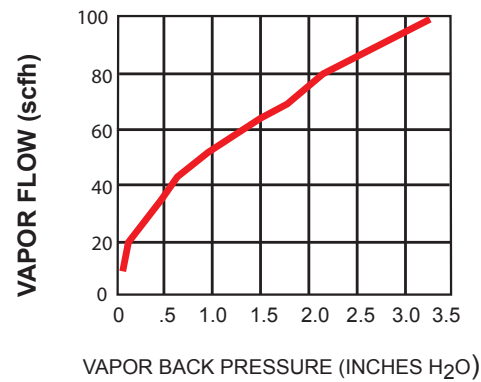
## New Unleaded Nozzles

MODEL NO.	DESCRIPTION	SHIPPING WEIGHT LBS (KG)
7345021N^	with High Flow Double Poppet and Two Notch Hold Open Clip, without Attitude Device	4.0 (1.8)
7345041N^	with High Flow Double Poppet and Two Notch Hold Open Clip	4.0 (1.8)
7345041A*	with High Flow Double Poppet and Two Notch Hold Open Clip - Atex	4.0 (1.8)
11560021N^	with High Flow Double Poppet, Two Notch Hold Open Clip and Cold Weather Seals	4.0 (1.8)

^ NOT LISTED

## Construction

Body	Aluminum
Seals	Fluorocarbon
Packing	Fiber reinforced Teflon®
Lever	One piece contoured steel with hard plastic cover
Inlet	M34 x 1.5



WARNING: Cancer and Reproductive Harm - www.P65Warnings.ca.gov

**Pressure activated, automatic shut-off vacuum assist nozzle for full-service, self-service and unattended stations.**

## Dimensions and System Options

### Safe-T-Breaks®

MODEL NO.	DESCRIPTION
004034	Reconnectable Safe-T-Break®
004034A	Reconnectable Safe-T-Break® - Atex
006210	Non-Reconnectable Safe-T-Break®
005134A	Non-Reconnectable Safe-T-Break® - Atex
010513	Non-Reconnectable Safe-T-Break® - Shearpin

### Swivels

MODEL NO.	DESCRIPTION
004605	Inverted Vapor Assist Swivel
004605A	Inverted Vapor Assist Swivel

### Pressure/Vacuum Vents

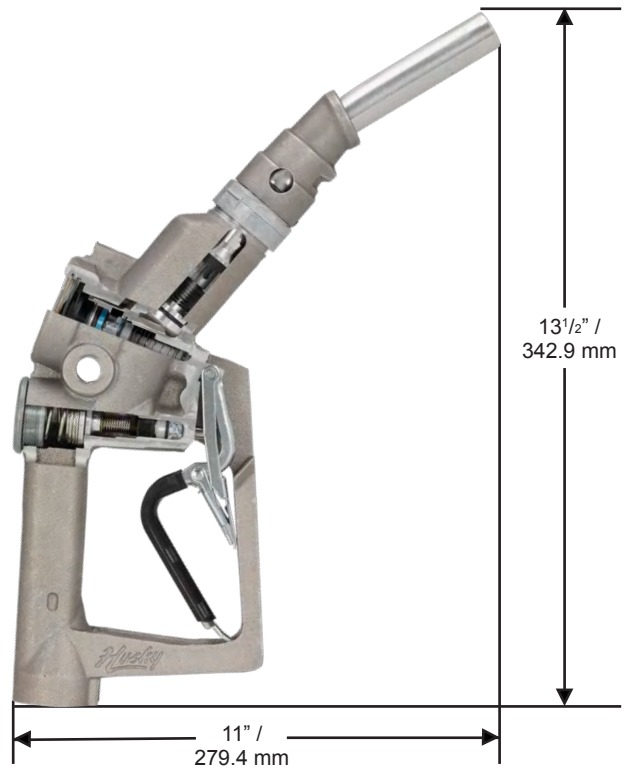
MODEL NO.	DESCRIPTION
004620	2" Slip-On Pressure Vacuum Vent
004885	2" Thread-On Pressure Vacuum Vent - NPT
005885	2" Thread-On Pressure Vacuum Vent with Internal Screen - NPT

### Accessories, Testing and Maintenance

MODEL NO.	DESCRIPTION
003593	Hold Open Clip Kit
007089	Nozzle Service Kit
005233	O-ring Replacement Kit
000397	Unleaded Spout Gauge
005837	Vapor Assist Flo-Equalizer®

### Guards

MODEL NO.	DESCRIPTION
006951	Full Grip Guard
004231	Full Grip Reguard
005494	Lever Guard
007999	POPD® H Clear Cover
008184	POPD® H Full Grip Guard
008191	POPD® H Full Grip Reguard
006628	POPD® S Clear Cover
006660	POPD® S Full Grip Guard
007220	POPD® S Full Grip Reguard



# V34SK DP SG Nozzles



**Pressure activated, automatic shut-off vacuum assist nozzle for full-service, self-service and unattended stations.**

- V34SK Nozzle shuts off when:
  - the pump shuts off.
  - the gas tank is full.
  - the lever is opened before the pump is turned on.
  - the leak detector has not completed the test cycle.
- Strong vapor valve in the nozzle that is mechanically operated by the on-off action of the nozzle's lever.
- Nozzles are equipped with a unique Flo-Stop® device that shuts off the nozzle if it falls from the fill tank or raises above the horizontal.
- Sightglass on nozzle allows customer to see fuel flow through nozzle.
- StreamShaper® reduces turbulence for straighter flow and less splash back spillage.
- Nozzle is equipped with a double poppet for precise, slow-flow, to-the-penny dispensing.
- Husky® vapor return line is an internal part of the body casting, thus eliminating potential vapor leak points and fugitive evaporative emissions from the fuel remaining in the vapor path of the hose.
- Uses conventional spout with spout ring and soft vapor escape guard.
- Vapor assist is achieved at the body end of the spout where a vapor ring captures emissions.

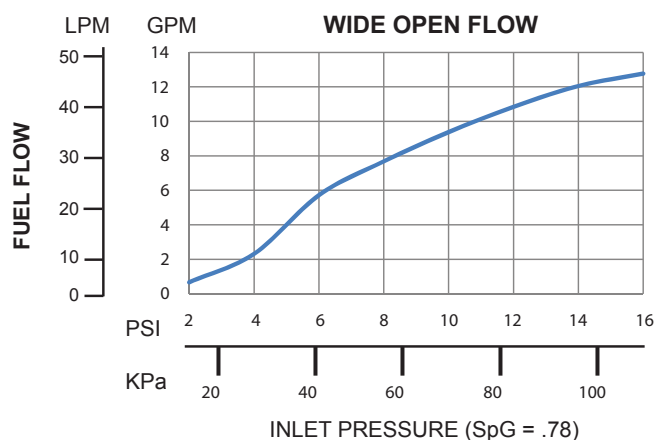
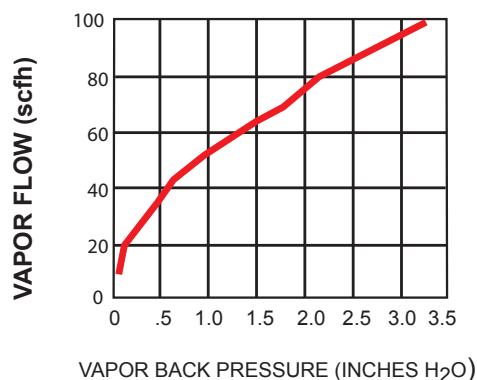


## New Unleaded Nozzles

MODEL NO.	DESCRIPTION	SHIPPING WEIGHT LBS (KG)
E12111170N <sup>^</sup>	with High Flow Double Poppet and Two Notch Hold Open Clip	4.0 (1.8)
		<sup>^</sup> NOT LISTED

## Construction

Body	Aluminum w/ reinforced polymer handguard
Seals	Fluorocarbon
Packing	Fiber reinforced Teflon®
Lever	One piece contoured steel with hard plastic cover
Inlet	1-1/4" - 18



WARNING: Cancer and Reproductive Harm - www.P65Warnings.ca.gov



**Husky**

GENERAL FUELING PRODUCTS

# V34SK DP SG Nozzles

**Pressure activated, automatic shut-off vacuum assist nozzle for full-service, self-service and unattended stations.**

## Dimensions and System Options

### Safe-T-Breaks®

MODEL NO.	DESCRIPTION
006560	Reconnectable ORVR Safe-T-Break®

### Spouts

MODEL NO.	DESCRIPTION
012115	Complete V34SK Spout Assembly Kit - Unleaded

### Pressure/Vacuum Vents

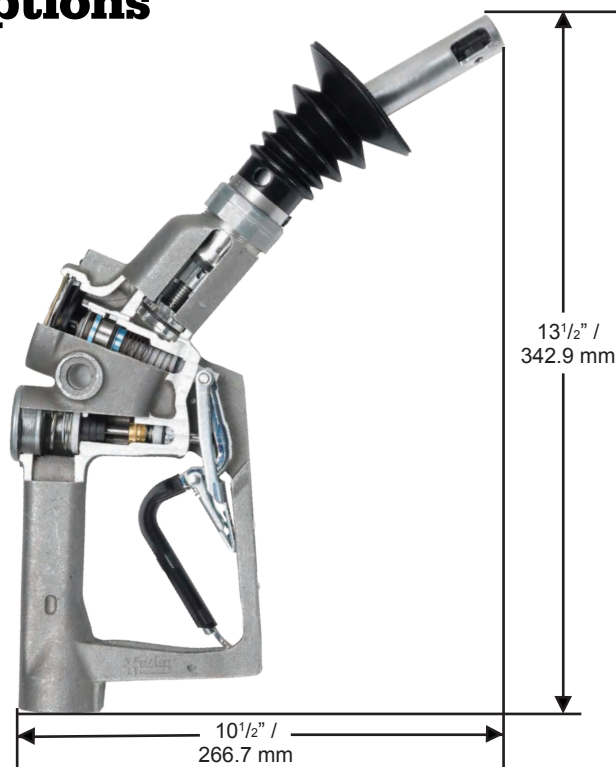
MODEL NO.	DESCRIPTION
004620	2" Slip-On Pressure Vacuum Vent
004885	2" Thread-On Pressure Vacuum Vent - NPT
005885	2" Thread-On Pressure Vacuum Vent with Internal Screen - NPT

### Accessories, Testing and Maintenance

MODEL NO.	DESCRIPTION
003593	Hold Open Clip Kit
007089	Nozzle Service Kit
005233	O-ring Replacement Kit
000397	Unleaded Spout Gauge
012113	Vapor Splash Guard Clamp
012118	V34SK A/L Spout Adaptor
012114	V34SK Vapor Splash Guard (VSG) with Clamp

### Guards

MODEL NO.	DESCRIPTION
006951	Full Grip Guard
004231	Full Grip Reguard
005494	Lever Guard
007999	POPD® H Clear Cover
008184	POPD® H Full Grip Guard
008191	POPD® H Full Grip Reguard
006628	POPD® S Clear Cover
006660	POPD® S Full Grip Guard
007220	POPD® S Full Grip Reguard



2325 Husky Way • Pacific, MO 63069  
 (800) 325-3558 • Fax (636) 825-7300  
[www.husky.com](http://www.husky.com) • [sales@husky.com](mailto:sales@husky.com)

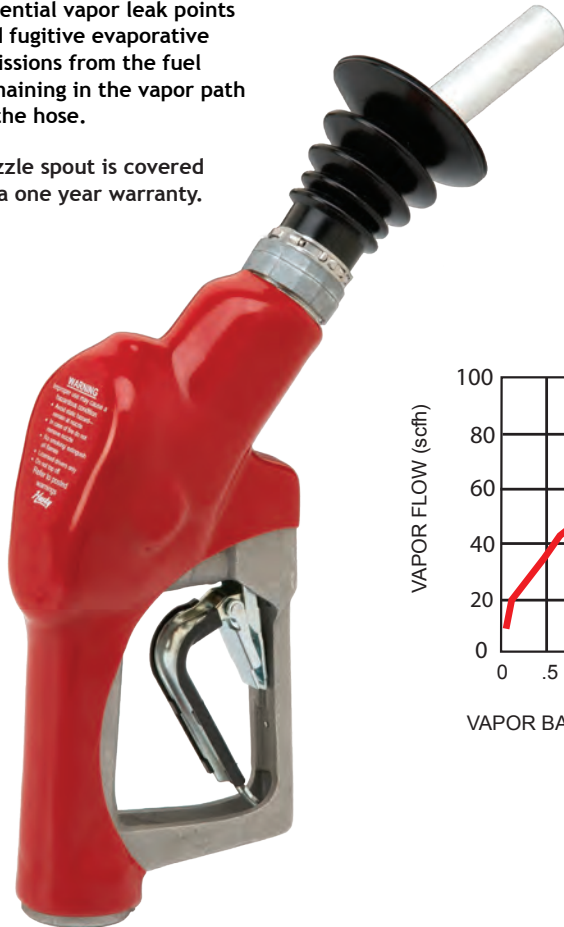
MADE IN THE U.S.A. 

# V34 Nozzles



**Pressure activated, automatic shut-off vacuum assist nozzle for full-service, self-service and unattended stations.**

- V34 Nozzle shuts off when:
  - the pump shuts off.
  - the gas tank is full.
  - the lever is opened before the pump is turned on.
  - the leak detector has not completed the test cycle.
- Strong vapor valve in the nozzle that is mechanically operated by the on-off action of the nozzle's lever.
- *Streamshaper*® reduces turbulence for straighter fuel flow and less splash back spillage.
- Husky® vapor return line is an internal part of the body casting, thus eliminating potential vapor leak points and fugitive evaporative emissions from the fuel remaining in the vapor path of the hose.
- Nozzle spout is covered by a one year warranty.
- Nozzle is equipped with a unique Flo-Stop® device that shuts off the nozzle if it falls from the fill tank or raises above the horizontal.
- Uses conventional spout with spout ring and soft vapor escape guard.
- Vapor assist achieved at the body end of the spout where a vapor ring catches emissions.
- Optional EZ Lever:
  - two piece design cuts opening force in half
  - easier "to-the-penny" dispensing
  - ADA compliant



## New Unleaded Nozzles

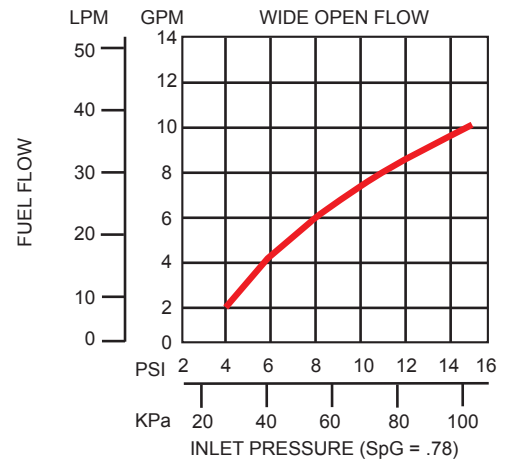
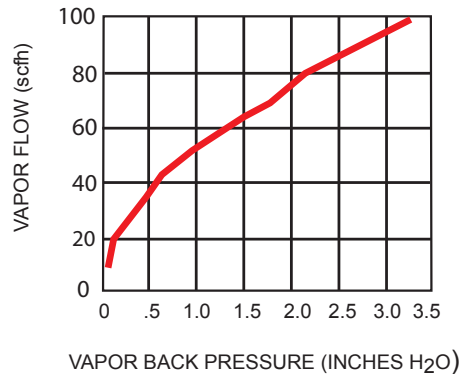
MODEL NO.	DESCRIPTION	SHIPPING WEIGHT LBS (KG)
6250041	with Three Notch Hold Open Clip	4.0 (1.8)
6250041A*	with Three Notch Hold Open Clip - Atex	4.0 (1.8)
6250241	with Three Notch Hold Open Clip and Sightglass	4.0 (1.8)
6250941	with Three Notch Hold Open Clip and POPD® Full Grip Guard	4.0 (1.8)
6250431	with Single Notch Hold Open Clip	4.0 (1.8)
6250891	with Single Notch Hold Open Clip and POPD® Full Grip Guard	4.0 (1.8)
6250081	without Hold Open Clip	4.0 (1.8)
11996041	with Two Notch Hold Open Clip and EZ Lever	4.0 (1.8)

## Rebuilt Unleaded Nozzles

MODEL NO.	DESCRIPTION	SHIPPING WEIGHT LBS (KG)
6254041	with Three Notch Hold Open Clip	3.7 (1.6)
6254241	with Three Notch Hold Open Clip and Sightglass	3.7 (1.6)
6254081	without Hold Open Clip	3.7 (1.6)

## Construction

Body	One piece die cast aluminum
Seals	Fluorocarbon
Packing	Fiber reinforced Teflon®
Lever	One piece contoured steel with hard plastic cover
Inlet	M34 x 1.5



AIR RESOURCES BOARD



II 1 G  
EN 13012  
Type 1



P-TÜ7-8113626964

WARNING: Cancer and Reproductive Harm - www.P65Warnings.ca.gov

**Pressure activated, automatic shut-off vacuum assist nozzle for full-service, self-service and unattended stations.**

## Dimensions and System Options

### Safe-T-Breaks®

MODEL NO.	DESCRIPTION
004034	Reconnectable Safe-T-Break®
004034A	Reconnectable Safe-T-Break® - Atex
006210	Non-Reconnectable Safe-T-Break®
005134A	Non-Reconnectable Safe-T-Break® - Atex
010513	Non-Reconnectable Safe-T-Break® - Shearpin

### Swivels

MODEL NO.	DESCRIPTION
004605	Inverted Vapor Assist Swivel
004605A	Inverted Vapor Assist Swivel - Atex

### Spouts

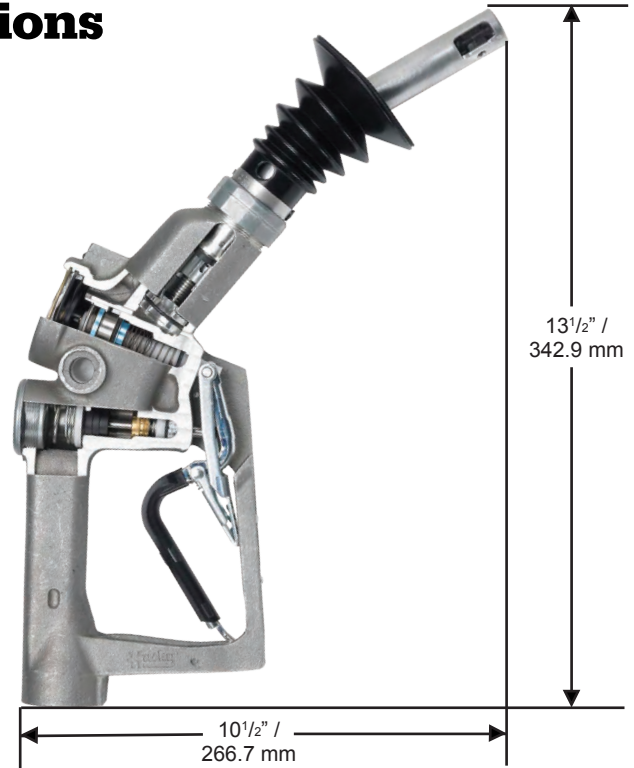
MODEL NO.	DESCRIPTION
006291	Complete Spout Assembly Kit - Unleaded
006391	Unleaded Spout

### Pressure/Vacuum Vents

MODEL NO.	DESCRIPTION
004620	2" Slip-On Pressure Vacuum Vent
004885	2" Thread-On Pressure Vacuum Vent - NPT
005885	2" Thread-On Pressure Vacuum Vent with Internal Screen - NPT

### Accessories, Testing and Maintenance

MODEL NO.	DESCRIPTION
006941	Adaptor, Conventional Fueling to 3/4"
004360	Air/Liquid Spout Adaptor
003593	Hold Open Clip Kit
004335	O-ring, Air/Liquid Test Spout Adaptor
005233	O-ring Kit
007089	Nozzle Service Kit
005260	Tool for dry Air/Liquid Test
000397	Unleaded Spout Gauge
005837	Vapor Assist Flo-Equalizer®
004000	Vapor Splash Guard (VSG) with Clamp
004039	Vapor Splash Guard Clamp
006497	VSG Clamp Tool
010073	Waffle VSG with Clamp (single notch V34)
010076	Waffle VSG without Clamp (single notch V34)



### Guards

MODEL NO.	DESCRIPTION
006951	Full Grip Guard
004231	Full Grip Reguard
005494	Lever Guard
007999	POPD® H Clear Cover
008184	POPD® H Full Grip Guard
008191	POPD® H Full Grip Reguard
006628	POPD® S Clear Cover
006660	POPD® S Full Grip Guard
007220	POPD® S Full Grip Reguard

# V34 Coax Nozzles



**Pressure activated, automatic shut-off vacuum assist nozzle for full-service, self-service and unattended stations.**

- V34 Nozzle shuts off when:
  - the pump shuts off.
  - the gas tank is full.
  - the lever is opened before the pump is turned on.
  - the leak detector has not completed the test cycle.
- Strong vapor valve in the nozzle that is mechanically operated by the on-off action of the nozzle's lever.
- Nozzle is equipped with a unique Flo-Stop® device that shuts off the nozzle if it falls from the fill tank or raises above the horizontal.
- Uses a coaxial spout with spout ring and has large vapor-capturing holes at the end of the spout.
- Nozzle spout is covered by a one year warranty.

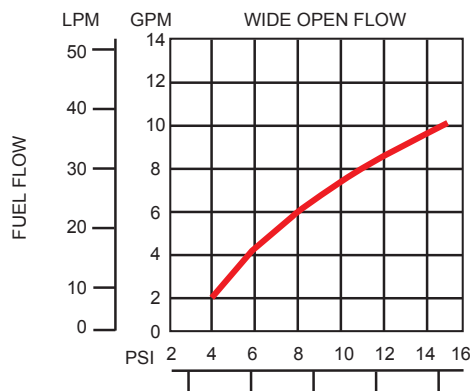
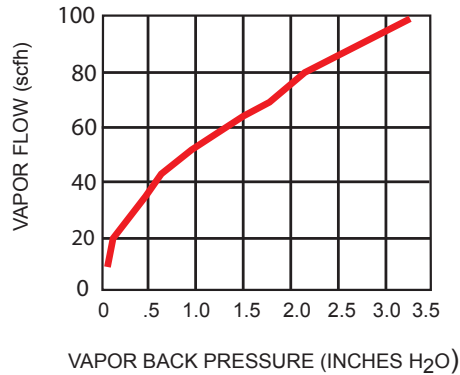
## New Unleaded Nozzles

MODEL NO.	DESCRIPTION	SHIPPING WEIGHT LBS (KG)
6200041	with Coaxial Spout and Three Notch Hold Open Clip	4.0 (1.8)
14229041N <sup>^</sup>	with Coaxial Spout, Two Notch Hold Open Clip, EZ Lever and Tokheim Polymer Handguard	4.0 (1.8)

<sup>^</sup>Not Listed

## Construction

Body	One piece die cast aluminum
Seals	Fluorocarbon
Packing	Fiber reinforced Teflon®
Lever	One piece contoured steel with hard plastic cover
Inlet	M34 x 1.5



AIR RESOURCES BOARD

WARNING: Cancer and Reproductive Harm - [www.P65Warnings.ca.gov](http://www.P65Warnings.ca.gov)

**Husky**

GENERAL FUELING PRODUCTS

# V34 Coax Nozzles

**Pressure activated, automatic shut-off vacuum assist nozzle for full-service, self-service and unattended stations.**

## Dimensions and System Options

### Safe-T-Breaks®

MODEL NO.	DESCRIPTION
004034	Reconnectable Safe-T-Break®
006210	Non-Reconnectable Safe-T-Break®
010513	Non-Reconnectable Safe-T-Break® - Shearpin

### Swivels

MODEL NO.	DESCRIPTION
004605	Inverted Vapor Assist Swivel

### Spouts

MODEL NO.	DESCRIPTION
008642	Complete Spout Assembly Kit - Unleaded

### Pressure/Vacuum Vents

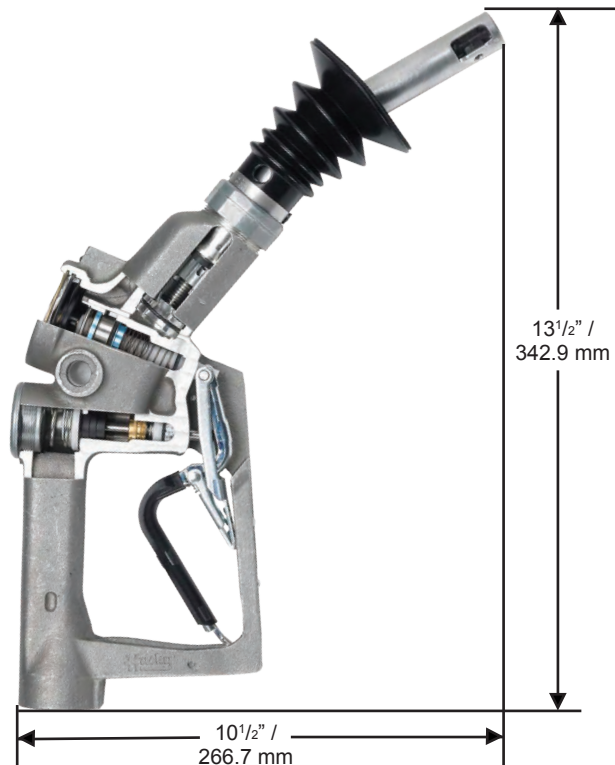
MODEL NO.	DESCRIPTION
004620	2" Slip-On Pressure Vacuum Vent
004885	2" Thread-On Pressure Vacuum Vent - NPT
005885	2" Thread-On Pressure Vacuum Vent with Internal Screen - NPT

### Accessories, Testing and Maintenance

MODEL NO.	DESCRIPTION
004360	Air/Liquid Spout Adaptor
003593	Hold Open Clip Kit
007089	Nozzle Service Kit
005233	O-ring Kit
005260	Tool for dry Air/Liquid Test
000397	Unleaded Spout Gauge
005837	Vapor Assist Flo-Equalizer®
004000	Vapor Splash Guard (VSG) with Clamp
004039	Vapor Splash Guard Clamp
006497	VSG Clamp Tool

### Guards

MODEL NO.	DESCRIPTION
006951	Full Grip Guard
004231	Full Grip Reguard
005494	Lever Guard
007999	POPD® H Clear Cover
008184	POPD® H Full Grip Guard
008191	POPD® H Full Grip Reguard
006628	POPD® S Clear Cover
006660	POPD® S Full Grip Guard
007220	POPD® S Full Grip Reguard



2325 Husky Way • Pacific, MO 63069  
 (800) 325-3558 • Fax (636) 825-7300  
[www.husky.com](http://www.husky.com) • [sales@husky.com](mailto:sales@husky.com)

MADE IN THE U.S.A.



# V34 DP Nozzles



**Pressure activated, automatic shut-off vacuum assist nozzle for full-service, self-service and unattended stations.**

- V34 nozzle shuts off when the gas tank is full.
- Strong vapor valve in the nozzle that is mechanically operated by the on-off action of the nozzle's lever.
- *Streamshaper*® reduces turbulence for straighter fuel flow and less splash back spillage.
- Husky® vapor return line is an internal part of the body casting, thus eliminating potential vapor leak points and fugitive evaporative emissions from the fuel remaining in the vapor path of the hose.
- Nozzle is equipped with a unique Flo-Stop® device that shuts off the nozzle if it falls from the fill tank or raises above the horizontal.
- Uses conventional spout with spout ring and soft vapor escape guard.
- Vapor assist achieved at the body end of the spout where a vapor ring catches emissions.
- Nozzle spout is covered by a one year warranty.



## New Unleaded Nozzles

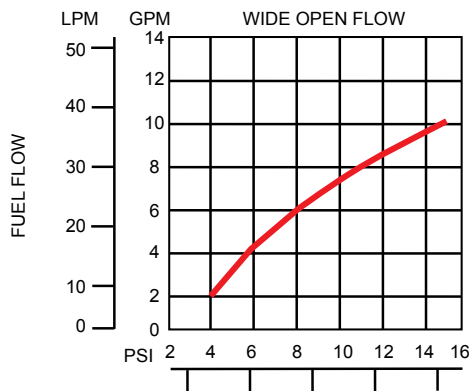
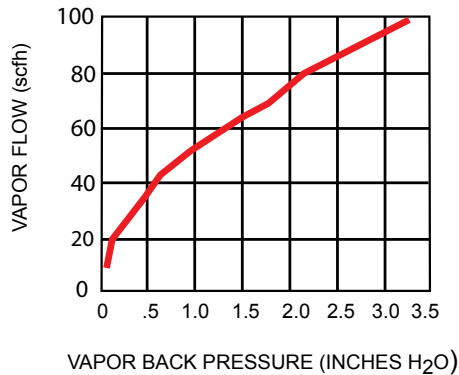
MODEL NO.	DESCRIPTION	SHIPPING WEIGHT LBS (KG)
6252041	with Double Poppet and Two Notch Hold Open Clip	4.0 (1.8)

## Rebuilt Unleaded Nozzles

MODEL NO.	DESCRIPTION	SHIPPING WEIGHT LBS (KG)
6254041	with Three Notch Hold Open Clip	3.7 (1.6)
6254241	with Three Notch Hold Open Clip and Sightglass	3.7 (1.6)
6254081	without Hold Open Clip	3.7 (1.6)

## Construction

Body	Aluminum
Seals	Fluorocarbon
Packing	Fiber reinforced Teflon®
Lever	One piece contoured steel with hard plastic cover
Inlet	M34 x 1.5



California Environmental Protection Agency  
AIR RESOURCES BOARD



II 1 G  
EN 13012  
Type 1



\* U  
P-TÜ7-8113626964

WARNING: Cancer and Reproductive Harm - www.P65Warnings.ca.gov





# V34 DP Nozzles

Pressure activated, automatic shut-off vacuum assist nozzle for full-service, self-service and unattended stations.

## Dimensions and System Options

### Safe-T-Breaks®

MODEL NO.	DESCRIPTION
004034	Reconnectable Safe-T-Break®
006210	Non-Reconnectable Safe-T-Break®
010513	Non-Reconnectable Safe-T-Break® - Shearpin

### Swivels

MODEL NO.	DESCRIPTION
004605	Inverted Vapor Assist Swivel
004605A	Inverted Vapor Assist Swivel - Atex

### Spouts

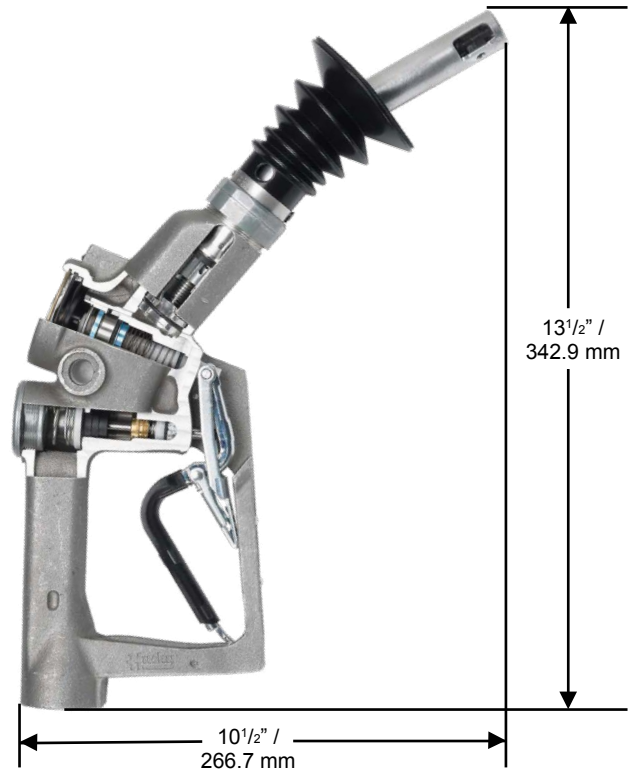
MODEL NO.	DESCRIPTION
006291	Complete Spout Assembly Kit - Unleaded
006391	Unleaded Spout

### Pressure/Vacuum Vents

MODEL NO.	DESCRIPTION
004620	2" Slip-On Pressure Vacuum Vent
004885	2" Thread-On Pressure Vacuum Vent - NPT
005885	2" Thread-On Pressure Vacuum Vent with Internal Screen - NPT

### Accessories, Testing and Maintenance

MODEL NO.	DESCRIPTION
004360	Air/Liquid Spout Adaptor
003593	Hold Open Clip Kit
007089	Nozzle Service Kit
005233	O-ring Kit
005260	Tool for dry Air/Liquid Test
000397	Unlead Spout Gauge
005837	Vapor Assist Flo-Equalizer®
004000	Vapor Splash Guard (VSG) with Clamp
004039	VSG Clamp
006497	VSG Clamp Tool



### Guards

MODEL NO.	DESCRIPTION
006951	Full Grip Guard
004231	Full Grip Reguard
005494	Lever Guard
007999	POPD® H Clear Cover
008184	POPD® H Full Grip Guard
008191	POPD® H Full Grip Reguard
006628	POPD® S Clear Cover
006660	POPD® S Full Grip Guard
007220	POPD® S Full Grip Reguard



2325 Husky Way • Pacific, MO 63069  
 (800) 325-3558 • Fax (636) 825-7300  
[www.husky.com](http://www.husky.com) • [sales@husky.com](mailto:sales@husky.com)

MADE IN THE U.S.A. 

# V34 ORVR Nozzles



**Pressure activated, automatic shut-off vacuum assist nozzle for full-service, self-service and unattended stations.**

- V34 Nozzle shuts off when:
  - the pump shuts off.
  - the gas tank is full.
  - the lever is opened before the pump is turned on.
  - the leak detector has not completed the test cycle.
- Nozzle designed for the Veeder-Root® 900301 and VST Enviro-Loc® primary hose with ORVR valve.
- Strong vapor valve in the nozzle that is mechanically operated by the on-off action of the nozzle's lever.
- Nozzle is equipped with a unique Flo-Stop® device that shuts off the nozzle if it falls from the fill tank or raises above the horizontal.
- *StreamShaper*® reduces turbulence for straighter flow and less splash back spillage.
- Uses conventional spout with spout ring and soft vapor escape guard.
- Husky® vapor return line is an internal part of the body casting, thus eliminating potential vapor leak points and fugitive evaporative emissions from the fuel remaining in the vapor path of the hose.
- Vapor assist achieved at the body end of the spout where a vapor ring catches emissions.

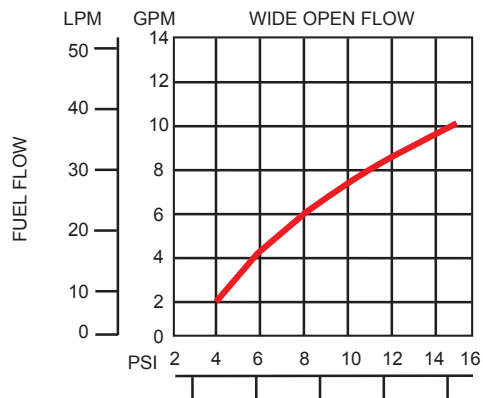
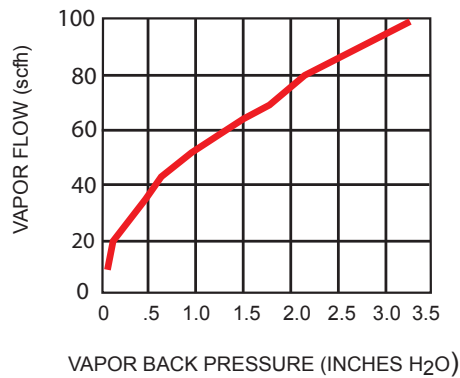


## New Unleaded Nozzles

MODEL NO.	DESCRIPTION	SHIPPING WEIGHT LBS (KG)
6536041	with Three Notch Hold Open Clip	4.0 (1.8)

## Construction

Body	Aluminum
Seals	Fluorocarbon
Packing	Fiber Reinforced Teflon®
Lever	One Piece Contoured Steel with hard plastic cover
Inlet	1 1/4" - 18



AIR RESOURCES BOARD



Texas Commission on Environmental Quality

WARNING: Cancer and Reproductive Harm - www.P65Warnings.ca.gov

**Husky**

GENERAL FUELING PRODUCTS

# V34 ORVR Nozzles

**Pressure activated, automatic shut-off vacuum assist nozzle for full-service, self-service and unattended stations.**

## Dimensions and System Options

### Safe-T-Breaks®

MODEL NO.	DESCRIPTION
006560	Reconnectable ORVR Safe-T-Break®

### Spouts

MODEL NO.	DESCRIPTION
006663	Complete Spout Assembly Kit - Unleaded
006391	Unleaded Spout

### Pressure/Vacuum Vents

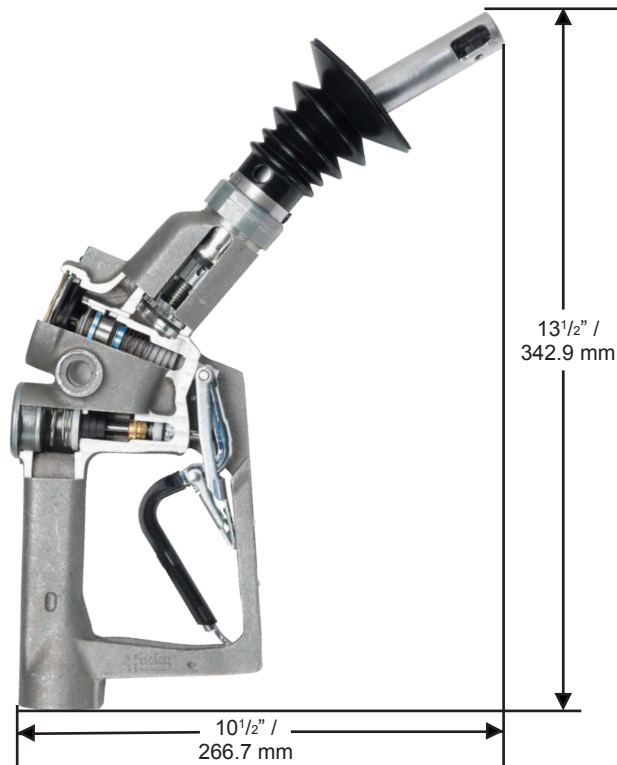
MODEL NO.	DESCRIPTION
004620	2" Slip-On Pressure Vacuum Vent
004885	2" Thread-On Pressure Vacuum Vent - NPT
005885	2" Thread-On Pressure Vacuum Vent with Internal Screen - NPT

### Accessories, Testing and Maintenance

MODEL NO.	DESCRIPTION
004360	A/L Spout Adaptor
003593	Hold Open Clip Kit
007089	Nozzle Service Kit
005233	O-ring Replacement Kit
006656	ORVR Vapor Splash Guard (VSG) with Clamp
005260	Tool For Dry A/L Test
005837	Vapor Assist Flo-Equalizer®
004039	Vapor Splash Guard Clamp
006497	VSG Clamp Tool

### Guards

MODEL NO.	DESCRIPTION
006951	Full Grip Guard
004231	Full Grip Reguard
005494	Lever Guard
007999	POPD® H Clear Cover
008184	POPD® H Full Grip Guard
008191	POPD® H Full Grip Reguard
006628	POPD® S Clear Cover
006660	POPD® S Full Grip Guard
007220	POPD® S Full Grip Reguard



2325 Husky Way • Pacific, MO 63069  
 (800) 325-3558 • Fax (636) 825-7300  
[www.husky.com](http://www.husky.com) • [sales@husky.com](mailto:sales@husky.com)

MADE IN THE U.S.A.

# V34i Nozzles



## Automatic shut-off vacuum assist nozzle for full-service, self-service and unattended stations.

- V34i Nozzle shuts off when the gas tank is full.
- Strong vapor valve in the nozzle that is mechanically operated by the on-off action of the nozzle's lever.
- Nozzle is equipped with a unique Flo-Stop® device that shuts off the nozzle if it falls from the fill tank or raises above the horizontal.
- StreamShaper® reduces turbulence for straighter flow and less splash back spillage.
- Uses conventional spout with spout ring and soft vapor escape guard.
- Husky® vapor return line is an internal part of the body casting, thus eliminating potential vapor leak points and fugitive evaporative emissions from the fuel remaining in the vapor path of the hose.
- Vapor assist achieved at the body end of the spout where a vapor ring catches emissions.
- Nozzle spout is covered by a one year warranty.

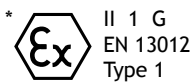
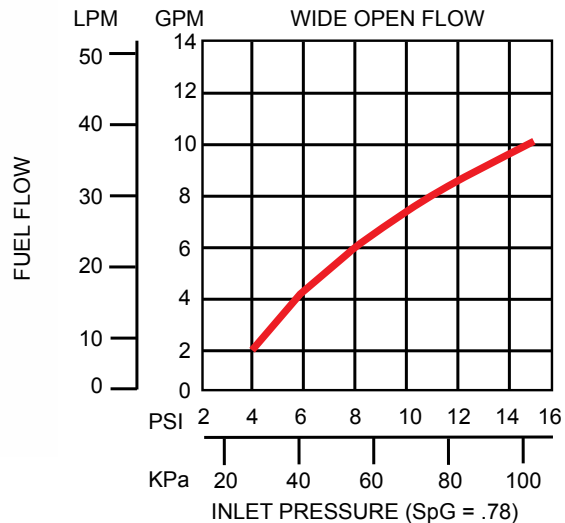
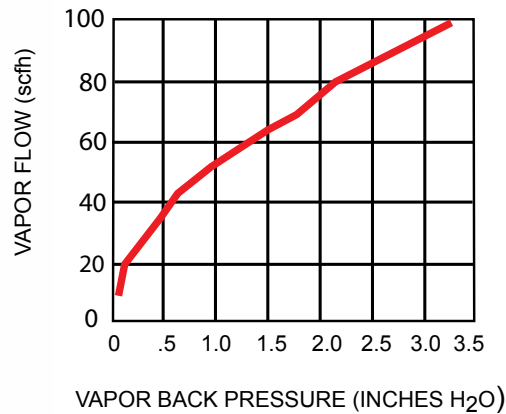


### New Unleaded Nozzles

MODEL NO.	DESCRIPTION	SHIPPING WEIGHT LBS (KG)
6670041A*	with Two Notch Hold Open Clip - Atex	4.0 (1.8)

### Construction

Body	Aluminum
Seals	Fluorocarbon
Packing	Double o-ring seal protected by fiber reinforced Teflon®
Lever	One piece contoured steel with hard plastic cover
Inlet	M34 x 1.5



WARNING: Cancer and Reproductive Harm - www.P65Warnings.ca.gov

Automatic shut-off vacuum assist nozzle for full-service, self-service and unattended stations.

## Dimensions and System Options

### Safe-T-Breaks®

MODEL NO.	DESCRIPTION
004034	Reconnectable Safe-T-Break®
004034A	Reconnectable Safe-T-Break® - Atex
006210	Non-Reconnectable Safe-T-Break®
005134A	Non-Reconnectable Safe-T-Break® - Atex
010513	Non-Reconnectable Safe-T-Break® - Shearpin

### Swivels

MODEL NO.	DESCRIPTION
004605	Inverted Vapor Assist Swivel
004605A	Inverted Vapor Assist Swivel - Atex

### Pressure/Vacuum Vents

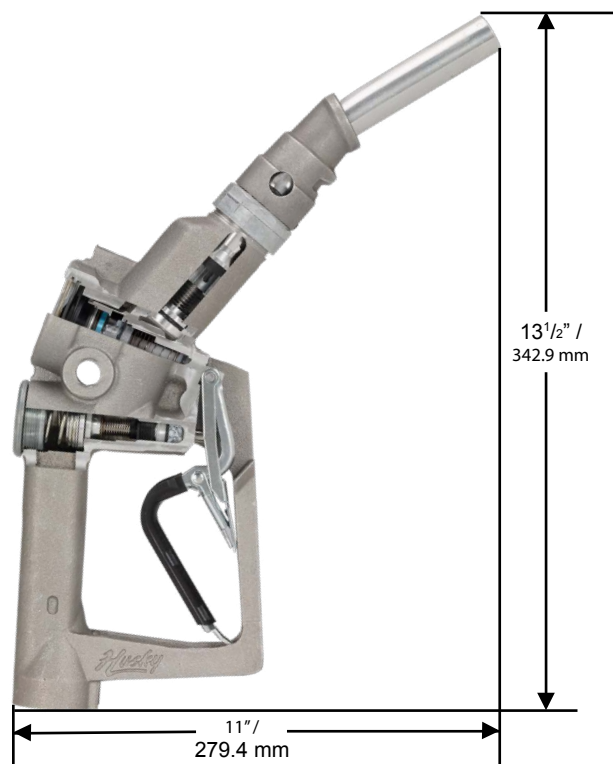
MODEL NO.	DESCRIPTION
004620	2" Slip-On Pressure Vacuum Vent
004885	2" Thread-On Pressure Vacuum Vent - NPT
005885	2" Thread-On Pressure Vacuum Vent with Internal Screen - NPT

### Accessories, Testing and Maintenance

MODEL NO.	DESCRIPTION
003593	Hold Open Clip Kit
007089	Nozzle Service Kit
005233	O-ring Kit
000397	Unleaded Spout Gauge
005837	Vapor Assist Flo-Equalizer®

### Guards

MODEL NO.	DESCRIPTION
006951	Full Grip Guard
004231	Full Grip Reguard
005494	Lever Guard
007999	POPD® H Clear Cover
008184	POPD® H Full Grip Guard
008191	POPD® H Full Grip Reguard
006628	POPD® S Clear Cover
006660	POPD® S Full Grip Guard
007220	POPD® S Full Grip Reguard



# V34i DP Nozzles



## Automatic shut-off vacuum assist nozzle for full-service, self-service and unattended stations.

- V34i nozzle shuts off when the gas tank is full.
- Strong vapor valve in the nozzle that is mechanically operated by the on-off action of the nozzle's lever.
- *StreamShaper*® reduces turbulence for straighter flow and less splash back spillage.
- Nozzle is equipped with a double poppet for precise, slow-flow, to-the-penny dispensing.
- Husky® vapor return line is an internal part of the body casting, thus eliminating potential vapor leak points and fugitive evaporative emissions from the fuel remaining in the vapor path of the hose.
- Uses conventional spout without spout ring and aluminum vapor escape guard.
- Vapor assist is achieved at the body end of the spout where a vapor ring captures emissions.
- Nozzle is equipped with a unique Flo-Stop® device that shuts off the nozzle if it falls from the fill tank or raises above the horizontal.

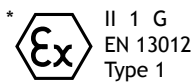
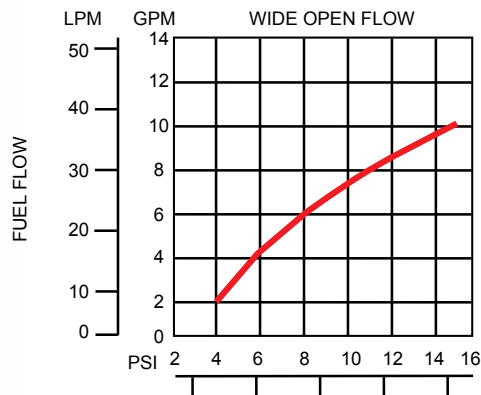
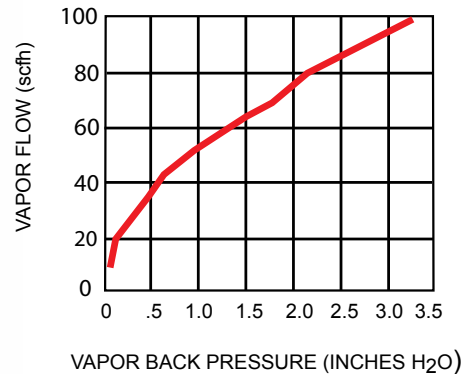


### New Unleaded Nozzles

MODEL NO.	DESCRIPTION	SHIPPING WEIGHT LBS (KG)
7320041A*	with High Flow Double Poppet, and Three Notch Hold Open Clip - Atex	4.0 (1.8)
7320101A*	with High Flow Double Poppet, without Three Notch Hold Open Clip - Atex	4.0 (1.8)

### Construction

Body	Aluminum
Seals	Fluorocarbon
Packing	Double o-ring seal protected by fiber reinforced Teflon®
Lever	One piece contoured steel with hard plastic cover
Inlet	M34 x 1.5



WARNING: Cancer and Reproductive Harm - www.P65Warnings.ca.gov



**Automatic shut-off vacuum assist nozzle for full-service, self-service and unattended stations.**

## Dimensions and System Options

### Safe-T-Breaks®

MODEL NO.	DESCRIPTION
004034	Reconnectable Safe-T-Break®
006210	Non-Reconnectable Safe-T-Break®
010513	Non-Reconnectable Safe-T-Break® - Shearpin

### Swivels

MODEL NO.	DESCRIPTION
004605	Inverted Vapor Assist Swivel
004605A	Inverted Vapor Assist Swivel - Atex

### Pressure/Vacuum Vents

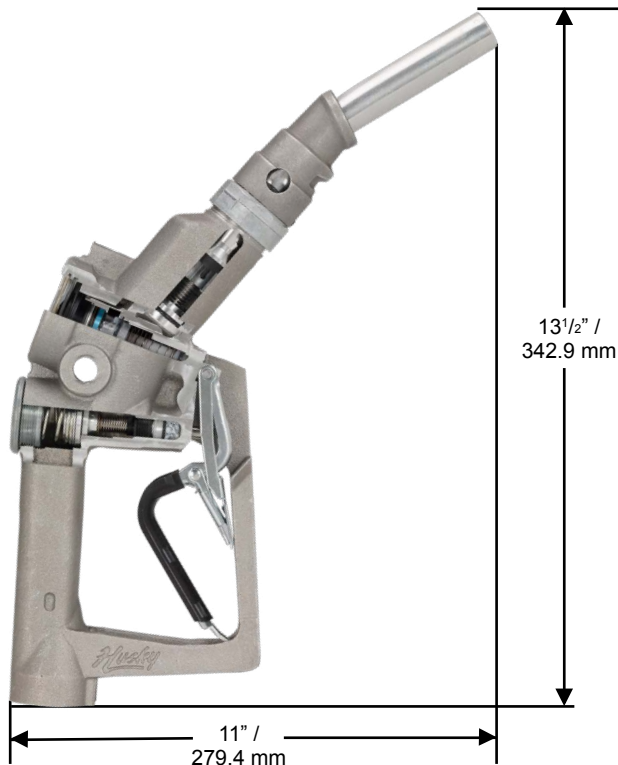
MODEL NO.	DESCRIPTION
004620	2" Slip-On Pressure Vacuum Vent
004885	2" Thread-On Pressure Vacuum Vent - NPT
005885	2" Thread-On Pressure Vacuum Vent with Internal Screen - NPT

### Accessories, Testing and Maintenance

MODEL NO.	DESCRIPTION
003593	Hold Open Clip Kit
007089	Nozzle Service Kit
005233	O-ring Replacement Kit
000397	Unleaded Spout Gauge
005837	Vapor Assist Flo-Equalizer®

### Guards

MODEL NO.	DESCRIPTION
006951	Full Grip Guard
004231	Full Grip Reguard
005494	Lever Guard
007999	POPD® H Clear Cover
008184	POPD® H Full Grip Guard
008191	POPD® H Full Grip Reguard
006628	POPD® S Clear Cover
006660	POPD® S Full Grip Guard
007220	POPD® S Full Grip Reguard



# V34i DP & CW Nozzles



**Husky**

GENERAL FUELING PRODUCTS

5-10

VAPOR RECOVERY

## Automatic shut-off vacuum assist nozzle for full-service, self-service and unattended stations.

- V34i nozzle shuts off when the gas tank is full.
- Strong vapor valve in the nozzle that is mechanically operated by the on-off action of the nozzle's lever.
- *StreamShaper*® reduces turbulence for straighter flow and less splash back spillage.
- Nozzle is equipped with a double poppet for precise, slow-flow, to-the-penny dispensing.
- Husky® vapor return line is an internal part of the body casting, thus eliminating potential vapor leak points and fugitive evaporative emissions from the fuel remaining in the vapor path of the hose.
- Uses conventional spout without spout ring and aluminum vapor escape guard.
- Vapor assist is achieved at the body end of the spout where a vapor ring captures emissions.

### Model 8686041N

- Nozzle is equipped with a unique Flo-Stop® device that shuts off the nozzle if it falls from the fill tank or raises above the horizontal.



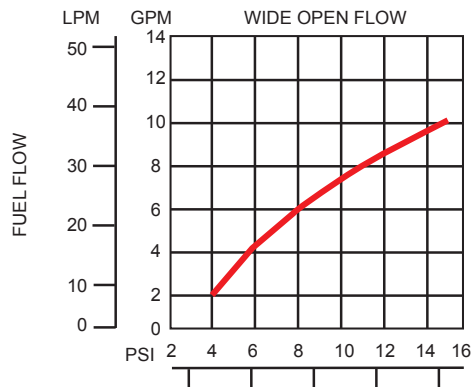
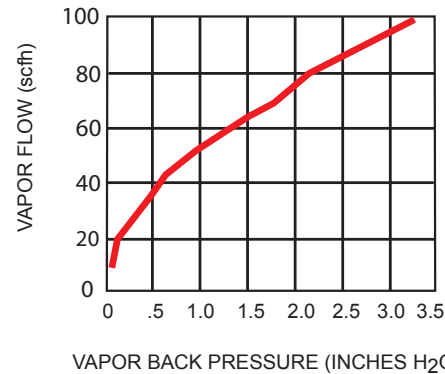
## New Unleaded Nozzles

MODEL NO.	DESCRIPTION	SHIPPING WEIGHT LBS (KG)
8686021N <sup>^</sup>	with Double Poppet, Cold Weather Seals and Two Notch Hold Open Clip	4.0 (1.8)
8686041N <sup>^</sup>	with Double Poppet, Cold Weather Seals, Flo-Stop® and Two Notch Hold Open Clip	4.0 (1.8)

<sup>^</sup> NOT LISTED

## Construction

Body	Aluminum
Seals	Fluorocarbon
Packing	Double o-ring seal protected by fiber reinforced Teflon®
Lever	One piece contoured steel with hard plastic cover
Inlet	M34 x 1.5



WARNING: Cancer and Reproductive Harm - www.P65Warnings.ca.gov

**Husky**

GENERAL FUELING PRODUCTS

# V34i DP & CW Nozzles

Automatic shut-off vacuum assist nozzle for full-service, self-service and unattended stations.

## Dimensions and System Options

### Safe-T-Breaks®

MODEL NO.	DESCRIPTION
004034	Reconnectable Safe-T-Break®
006210	Non-Reconnectable Safe-T-Break®
010513	Non-Reconnectable Safe-T-Break® - Shearpin

### Swivels

MODEL NO.	DESCRIPTION
004605	Inverted Vapor Assist Swivel

### Pressure/Vacuum Vents

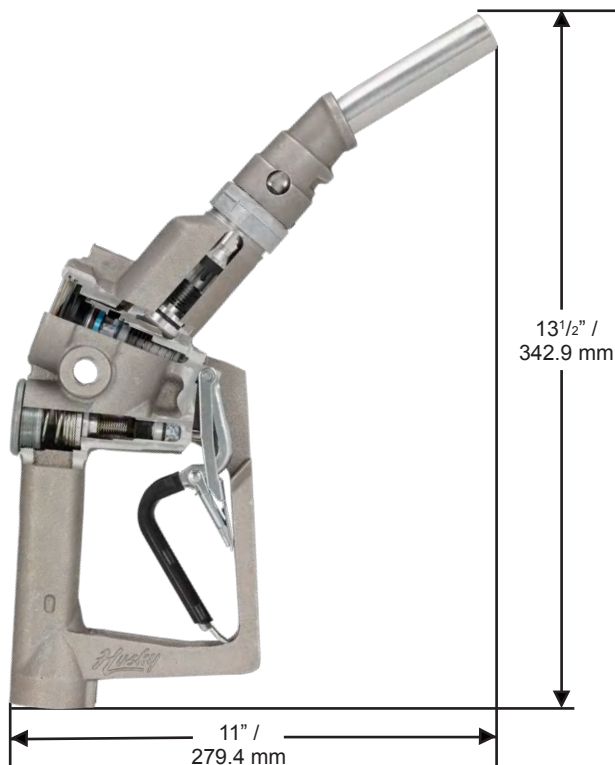
MODEL NO.	DESCRIPTION
004620	2" Slip-On Pressure Vacuum Vent
004885	2" Thread-On Pressure Vacuum Vent - NPT
005885	2" Thread-On Pressure Vacuum Vent with Internal Screen - NPT

### Accessories, Testing and Maintenance

MODEL NO.	DESCRIPTION
003593	Hold Open Clip Kit
007089	Nozzle Service Kit
005233	O-ring Replacement Kit
000397	Unleaded Spout Gauge
005837	Vapor Assist Flo-Equalizer®

### Guards

MODEL NO.	DESCRIPTION
006951	Full Grip Guard
004231	Full Grip Reguard
005494	Lever Guard
007999	POPD® H Clear Cover
008184	POPD® H Full Grip Guard
008191	POPD® H Full Grip Reguard
006628	POPD® S Clear Cover
006660	POPD® S Full Grip Guard
007220	POPD® S Full Grip Reguard



2325 Husky Way • Pacific, MO 63069  
 (800) 325-3558 • Fax (636) 825-7300  
[www.husky.com](http://www.husky.com) • [sales@husky.com](mailto:sales@husky.com)

MADE IN THE U.S.A. 

# V34iA DP Nozzles



## Automatic shut-off vacuum assist nozzle for full-service, self-service and unattended stations.

- V34iA nozzle shuts off when the gas tank is full.
- Strong vapor valve in the nozzle that is mechanically operated by the on-off action of the nozzle's lever.
- *StreamShaper*® reduces turbulence for straighter flow and less splash back spillage.
- Nozzle is equipped with a double poppet for precise, slow-flow, to-the-penny dispensing.
- Husky® vapor return line is an internal part of the body casting, thus eliminating potential vapor leak points and fugitive evaporative emissions from the fuel remaining in the vapor path of the hose.
- Uses conventional spout without spout ring and aluminum vapor escape guard.
- Vapor assist is achieved at the body end of the spout where a vapor ring captures emissions.
- Nozzle spout is covered by a one year warranty.



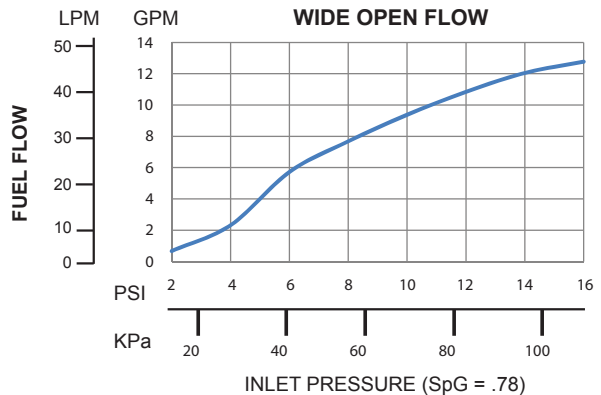
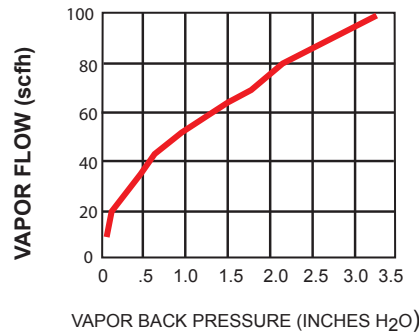
### New Unleaded Nozzles

MODEL NO.	DESCRIPTION	SHIPPING WEIGHT LBS (KG)
7320041N^	with High Flow Double Poppet and Two Notch Hold Open Clip	4.0 (1.8)
7320081N^	with High Flow Double Poppet, without Hold Open Clip	4.0 (1.8)

^ NOT LISTED

### Construction

Body	Aluminum
Seals	Fluorocarbon
Packing	Double o-ring seal protected by fiber reinforced Teflon®
Lever	One piece contoured steel with hard plastic cover
Inlet	M34 x 1.5



WARNING: Cancer and Reproductive Harm - www.P65Warnings.ca.gov



# V34iA DP Nozzles

Automatic shut-off vacuum assist nozzle for full-service, self-service and unattended stations.

## Dimensions and System Options

### Safe-T-Breaks®

MODEL NO.	DESCRIPTION
004034	Reconnectable Safe-T-Break®
004034A	Reconnectable Safe-T-Break® - Atex
006210	Non-Reconnectable Safe-T-Break®
005134A	Non-Reconnectable Safe-T-Break® - Atex
010513	Non-Reconnectable Safe-T-Break® - Shearpin

### Swivels

MODEL NO.	DESCRIPTION
004605	Inverted Vapor Assist Swivel

### Pressure/Vacuum Vents

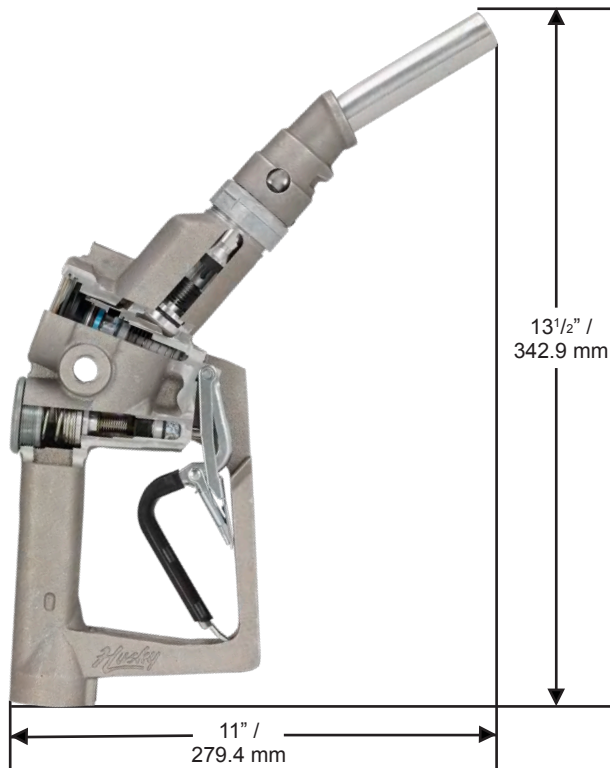
MODEL NO.	DESCRIPTION
004620	2" Slip-On Pressure Vacuum Vent
004885	2" Thread-On Pressure Vacuum Vent - NPT
005885	2" Thread-On Pressure Vacuum Vent with Internal Screen - NPT

### Accessories, Testing and Maintenance

MODEL NO.	DESCRIPTION
003593	Hold Open Clip Kit
007089	Nozzle Service Kit
005233	O-ring Replacement Kit
000397	Unleaded Spout Gauge
005837	Vapor Assist Flo-Equalizer®

### Guards

MODEL NO.	DESCRIPTION
006951	Full Grip Guard
004231	Full Grip Reguard
005494	Lever Guard
007999	POPD® H Clear Cover
008184	POPD® H Full Grip Guard
008191	POPD® H Full Grip Reguard
006628	POPD® S Clear Cover
006660	POPD® S Full Grip Guard
007220	POPD® S Full Grip Reguard



2325 Husky Way • Pacific, MO 63069  
 (800) 325-3558 • Fax (636) 825-7300  
[www.husky.com](http://www.husky.com) • [sales@husky.com](mailto:sales@husky.com)

MADE IN THE U.S.A.

# V34iS Nozzles



**Pressure activated, automatic shut-off vacuum assist nozzle for full-service, self-service and unattended stations.**

- V34iS Nozzle shuts off when:
  - the pump shuts off.
  - the gas tank is full.
  - the lever is opened before the pump is turned on.
  - the leak detector has not completed the test cycle.
- Strong vapor valve in the nozzle that is mechanically operated by the on-off action of the nozzle's lever.
- Nozzle is equipped with a unique Flo-Stop® device that shuts off the nozzle if it falls from the fill tank or raises above the horizontal.
- StreamShaper® reduces turbulence for straighter flow and less splash back spillage.
- Uses conventional spout with spout ring and soft vapor escape guard.
- Husky® vapor return line is an internal part of the body casting, thus eliminating potential vapor leak points and fugitive evaporative emissions from the fuel remaining in the vapor path of the hose.
- Vapor assist achieved at the body end of the spout where a vapor ring catches emissions.

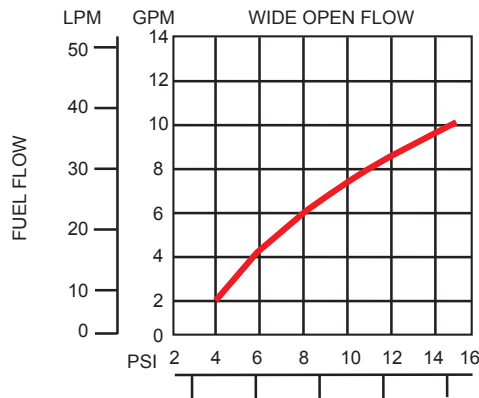
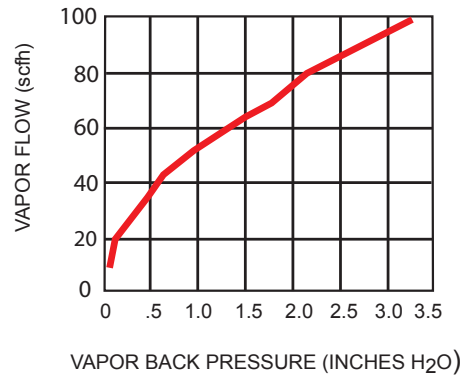


## New Unleaded Nozzles

MODEL NO.	DESCRIPTION	SHIPPING WEIGHT LBS (KG)
6675041	with Two Notch Hold Open Clip	4.0 (1.8)
6675041A*	with Two Notch Hold Open Clip - Atex	4.0 (1.8)

## Construction

Body	Aluminum
Seals	Fluorocarbon
Packing	Double o-ring seal protected by fiber reinforced Teflon®
Lever	One piece contoured steel with hard plastic cover
Inlet	M34 x 1.5



II 1 G  
EN 13012  
TYPE 1



P-TU7-8113626964

WARNING: Cancer and Reproductive Harm - www.P65Warnings.ca.gov





# V34iS Nozzles

**Pressure activated, automatic shut-off vacuum assist nozzle for full-service, self-service and unattended stations.**

## Dimensions and System Options

### Safe-T-Breaks®

MODEL NO.	DESCRIPTION
004034	Reconnectable Safe-T-Break®
004034A	Reconnectable Safe-T-Break® - Atex
006210	Non-Reconnectable Safe-T-Break®
005134A	Non-Reconnectable Safe-T-Break® - Atex
010513	Non-Reconnectable Safe-T-Break® - Shearpin

### Swivels

MODEL NO.	DESCRIPTION
004605	Inverted Vapor Assist Swivel
004605A	Inverted Vapor Assist Swivel - Atex

### Pressure/Vacuum Vents

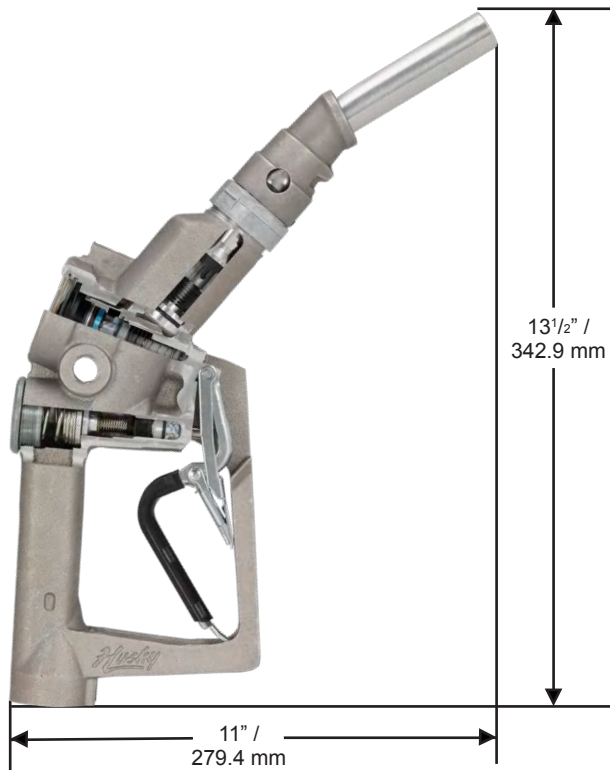
MODEL NO.	DESCRIPTION
004620	2" Slip-On Pressure Vacuum Vent
004885	2" Thread-On Pressure Vacuum Vent - NPT
005885	2" Thread-On Pressure Vacuum Vent with Internal Screen - NPT

### Accessories, Testing and Maintenance

MODEL NO.	DESCRIPTION
003593	Hold Open Clip Kit
007089	Nozzle Service Kit
005233	O-ring Kit
000397	Unleaded Spout Gauge
005837	Vapor Assist Flo-Equalizer®

### Guards

MODEL NO.	DESCRIPTION
006951	Full Grip Guard
004231	Full Grip Reguard
005494	Lever Guard
007999	POPD® H Clear Cover
008184	POPD® H Full Grip Guard
008191	POPD® H Full Grip Reguard
006628	POPD® S Clear Cover
006660	POPD® S Full Grip Guard
007220	POPD® S Full Grip Reguard



2325 Husky Way • Pacific, MO 63069  
 (800) 325-3558 • Fax (636) 825-7300  
[www.husky.com](http://www.husky.com) • [sales@husky.com](mailto:sales@husky.com)

MADE IN THE U.S.A. 

# V34iS DP Nozzles



**Pressure activated, automatic shut-off vacuum assist nozzle for full-service, self-service and unattended stations.**

- V34iS Nozzle shuts off when:
  - the pump shuts off.
  - the gas tank is full.
  - the lever is opened before the pump is turned on.
  - the leak detector has not completed the test cycle.
- Strong vapor valve in the nozzle that is mechanically operated by the on-off action of the nozzle's lever.
- Nozzle is equipped with a unique Flo-Stop® device that shuts off the nozzle if it falls from the fill tank or raises above the horizontal.
- StreamShaper® reduces turbulence for straighter flow and less splash back spillage.
- Nozzle is equipped with a double poppet for precise, slow-flow, to-the-penny dispensing.
- Husky® vapor return line is an internal part of the body casting, thus eliminating potential vapor leak points and fugitive evaporative emissions from the fuel remaining in the vapor path of the hose.
- Uses conventional spout without spout ring and aluminum vapor escape guard.
- Vapor assist is achieved at the body end of the spout where a vapor ring captures emissions.



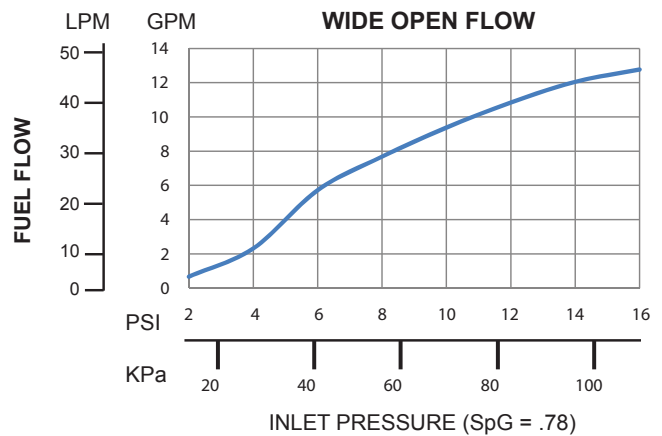
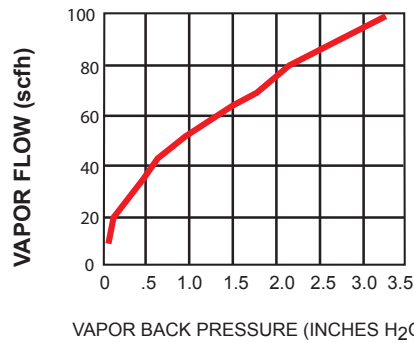
## New Unleaded Nozzles

MODEL NO.	DESCRIPTION	SHIPPING WEIGHT LBS (KG)
7345041N^	with High Flow Double Poppet and Two Notch Hold Open Clip	4.0 (1.8)
7345041A*	with High Flow Double Poppet and Two Notch Hold Open Clip - Atex	4.0 (1.8)

^ NOT LISTED

## Construction

Body	Aluminum
Seals	Fluorocarbon
Packing	Double o-ring seal protected by fiber reinforced Teflon®
Lever	One piece contoured steel with hard plastic cover
Inlet	M34 x 1.5



II 1 G  
EN 13012  
TYPE 1



P-TU7-8113626964

WARNING: Cancer and Reproductive Harm - www.P65Warnings.ca.gov

**Husky**

GENERAL FUELING PRODUCTS

# V34iS DP Nozzles

**Pressure activated, automatic shut-off vacuum assist nozzle for full-service, self-service and unattended stations.**

## Dimensions and System Options

### Safe-T-Breaks®

MODEL NO.	DESCRIPTION
004034	Reconnectable Safe-T-Break®
004034A	Reconnectable Safe-T-Break® - Atex
006210	Non-Reconnectable Safe-T-Break®
005134A	Non-Reconnectable Safe-T-Break® - Atex
010513	Non-Reconnectable Safe-T-Break® - Shearpin

### Swivels

MODEL NO.	DESCRIPTION
004605	Inverted Vapor Assist Swivel
004605A	Inverted Vaport Assist Swivel - Atex

### Pressure/Vacuum Vents

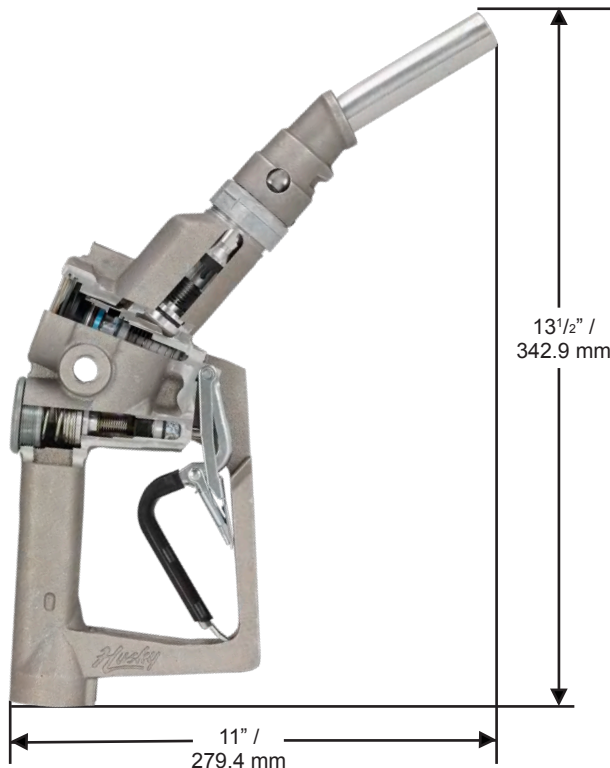
MODEL NO.	DESCRIPTION
004620	2" Slip-On Pressure Vacuum Vent
004885	2" Thread-On Pressure Vacuum Vent - NPT
005885	2" Thread-On Pressure Vacuum Vent with Internal Screen - NPT

### Accessories, Testing and Maintenance

MODEL NO.	DESCRIPTION
003593	Hold Open Clip Kit
007089	Nozzle Service Kit
005233	O-ring Replacement Kit
000397	Unleaded Spout Gauge
005837	Vapor Assist Flo-Equalizer®

### Guards

MODEL NO.	DESCRIPTION
006951	Full Grip Guard
004231	Full Grip Reguard
005494	Lever Guard
007999	POPD® H Clear Cover
008184	POPD® H Full Grip Guard
008191	POPD® H Full Grip Reguard
006628	POPD® S Clear Cover
006660	POPD® S Full Grip Guard
007220	POPD® S Full Grip Reguard



2325 Husky Way • Pacific, MO 63069  
 (800) 325-3558 • Fax (636) 825-7300  
[www.husky.com](http://www.husky.com) • [sales@husky.com](mailto:sales@husky.com)

MADE IN THE U.S.A. 



GENERAL FUELING PRODUCTS

# Ethanol Fueling Nozzles

# X E85 PHG Nozzles



## Automatic shut-off nozzle for full-service and self-service stations.

- Aluminum body, spout, and internal parts are nickel plated to prevent contamination and corrosion from Ethanol blends.
- *StreamShaper*® reduces turbulence for straighter fuel flow and less splash back spillage.
- Compatible with unleaded and all Ethanol blends through E-85.
- A reinforced stainless steel spout bushing keeps the spout tip round and acts as a captive fastener to prevent tip-end sensor damage.
- Nozzle is equipped with a unique Flo-Stop® device that shuts off the nozzle if it falls from the fill tank or raises above the horizontal.
- Husky® X nozzle shuts off when the gas tank is full.
- Nozzle comes with smooth full grip guard.
- All seals are UL approved fluorocarbon compounds to prevent deterioration from Ethanol blends.
- New poppet seal design in conjunction with new tilt poppet design improves flow control (“to-the-penny” dispensing) and provides enhanced endurance over time.



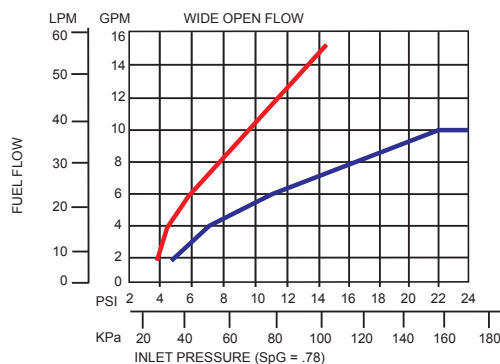
### New Unleaded Nozzles

MODEL NO.	DESCRIPTION	SHIPPING WEIGHT LBS (KG)
659404N^	with Three Notch Hold Open Clip	2.8 (1.2)
659459N^	with Three Notch Hold Open Clip and Waffle Splash Guard	3.0 (1.2)
659495N^	with Three Notch Hold Open Clip, POPD® S Full Grip Guard and Waffle Splash Guard	3.0 (1.2)

^ NOT LISTED

### Construction

Body	Die cast aluminum with Electroless Nickel Plating
Seals	Fluorocarbon
Handguard	Polymer
Packing	Double O-ring seal protected by fiber reinforced Teflon®
Lever	Polymer
Inlet	¾" / 19 mm NPT



WARNING: Cancer and Reproductive Harm - www.P65Warnings.ca.gov

Automatic shut-off nozzle for full-service and self-service stations.

## Dimensions and System Options

### Safe-T-Breaks®

MODEL NO.	DESCRIPTION
006360 <sup>^</sup>	¾" F x ¾" F Reconnectable E85 Safe-T-Break®
006273	¾" F x ¾" F Non-Reconnectable E25/E85 Safe-T-Break®

<sup>^</sup> NOT UL LISTED

### Swivels

MODEL NO.	DESCRIPTION
006350 <sup>^</sup>	¾" M x ¾" F Multi-plane E85 Swivel

<sup>^</sup> NOT UL LISTED

### Spouts

MODEL NO.	DESCRIPTION
006207	Unleaded E85 Spout Assembly

### Pressure/Vacuum Vents

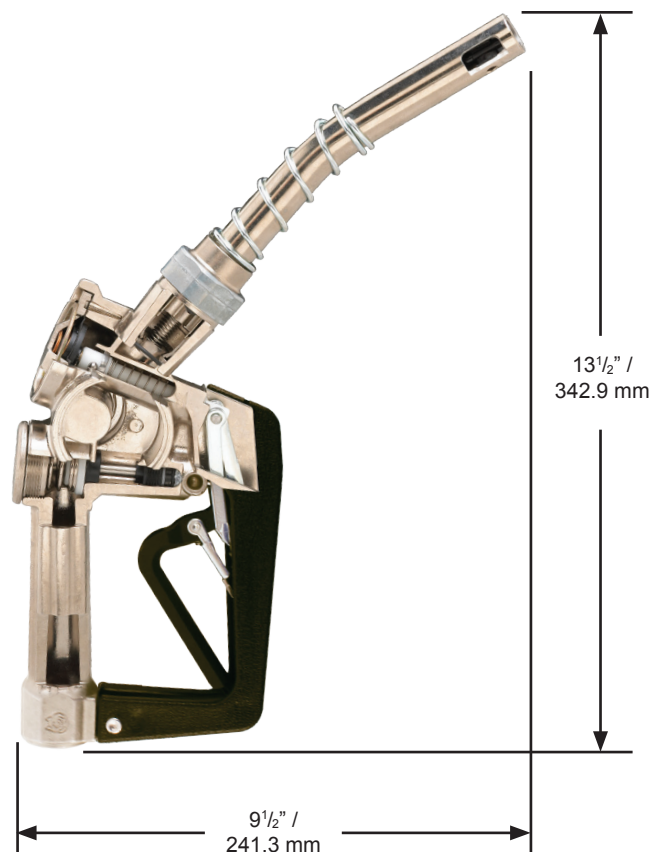
MODEL NO.	DESCRIPTION
004620	2" Slip-On Pressure Vacuum Vent
004885	2" Thread-On Pressure Vacuum Vent - NPT
005885	2" Thread-On Pressure Vacuum Vent with Internal Screen - NPT

### Accessories, Testing and Maintenance

MODEL NO.	DESCRIPTION
003593	Hold Open Clip Kit
007490	Internal Flo-Equalizer® - 10 gpm / 37.9 Lpm
007089	Nozzle Service Kit
000397	Unleaded Spout Gauge

### Guards

MODEL NO.	DESCRIPTION
003376	Black Handle Guard
004145	Full Grip Guard
001806	Full Grip Reguard
005494	Lever Guard
003440	Mate Easy-on Package
003795	Mate Guard
006628	POPD® Clear Cover
006665	POPD® Full Grip Guard
007205	POPD® Full Grip Reguard
007815	POPD® Mate Guard
001506	Protection Package
001809	Reguard Protection Package
001808	Waffle Splash Guard



2325 Husky Way • Pacific, MO 63069  
 (800) 325-3558 • Fax (636) 825-7300  
[www.husky.com](http://www.husky.com) • [sales@husky.com](mailto:sales@husky.com)

MADE IN THE U.S.A. 



# XS<sup>®</sup> E85 PHG Nozzles



**Pressure activated, automatic shut-off nozzle for full-service, self-service and unattended stations.**

- XS<sup>®</sup> E85 Nozzle shuts off when:
  - the pump shuts off.
  - the gas tank is full.
  - the lever is opened before the pump is turned on.
  - the leak detector has not completed the test cycle.
- Aluminum body, spout, and internal parts are nickel plated to prevent contamination and corrosion from Ethanol blends.
- *StreamShaper*<sup>®</sup> reduces turbulence for straighter fuel flow and less splash back spillage.
- Compatible with unleaded and all Ethanol blends through E-85.
- Nozzle comes with smooth full grip guard.
- A reinforced stainless steel spout bushing keeps the spout tip round and acts as a captive fastener to prevent tip-end sensor damage.
- Nozzle is equipped with a unique Flo-Stop<sup>®</sup> device that shuts off the nozzle if it falls from the fill tank or raises above the horizontal.
- All seals are UL approved fluorocarbon compounds to prevent deterioration from Ethanol blends.
- New poppet seal design in conjunction with new tilt poppet design improves flow control (“to-the-penny” dispensing) and provides enhanced endurance over time.



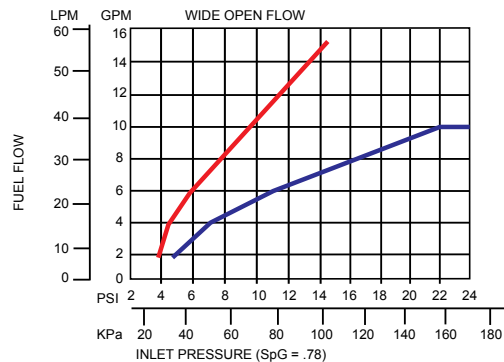
## New Unleaded Nozzles

MODEL NO.	DESCRIPTION	SHIPPING WEIGHT LBS (KG)
659504	with Three Notch Hold Open Clip	3.0 (1.3)
659508	without Three Notch Hold Open Clip	3.0 (1.3)
659559	with Three Notch Hold Open Clip and Waffle Splash Guard	2.9 (1.3)
659589	with Single Notch Hold Open Clip, POPD <sup>®</sup> S Full Grip Guard and Waffle Splash Guard	3.0 (1.3)
6595100N <sup>^</sup>	with Three Notch Hold Open Clip, POPD <sup>®</sup> S Full Grip Guard, Waffle Splash Guard and Sightglass	3.0 (1.3)
6595119	with Three Notch Hold Open Clip and POPD <sup>®</sup> H Full Grip Guard	3.0 (1.3)
6595146	with Three Notch Hold Open Clip, POPD <sup>®</sup> H Full Grip Guard and Waffle Splash Guard	3.0 (1.3)
6595179	with Single Notch Hold Open Clip and Waffle Splash Guard	3.0 (1.3)
6595181	with Three Notch Hold Open Clip, POPD <sup>®</sup> H Full Grip Guard and 1807 Waffle Splash Guard	3.0 (1.3)
E1488404	with Two Notch Hold Open Clip, EZ Lever and Mate Guard	3.0 (1.2)
E1488459	with Two Notch Hold Open Clip, EZ Lever, Mate Guard and Waffle Splash Guard	3.0 (1.2)
E1488495	with Two Notch Hold Open Clip, EZ Lever, POPD <sup>®</sup> S Mate Guard and Waffle Splash Guard	3.0 (1.2)
1488404	with Two Notch Hold Open Clip, EZ Lever and Full Grip Guard	3.0 (1.2)

<sup>^</sup> NOT LISTED

## Construction

Body	Die cast aluminum with Electroless Nickel Plating
Seals	Fluorocarbon
Handguard	Polymer
Packing	Double O-ring seal protected by fiber reinforced Teflon <sup>®</sup>
Lever	Polymer
Inlet	3/4" / 19 mm NPT



**!** WARNING: Cancer and Reproductive Harm - [www.P65Warnings.ca.gov](http://www.P65Warnings.ca.gov)



# XS® E85 PHG Nozzles

Pressure activated, automatic shut-off nozzle for full-service, self-service and unattended stations.

## Dimensions and System Options

### Safe-T-Breaks®

MODEL NO.	DESCRIPTION
006360 <sup>^</sup>	¾" F x ¾" F Reconnectable E85 Safe-T-Break®
006273	¾" F x ¾" F Non-Reconnectable E85 Safe-T-Break®

<sup>^</sup> NOT UL LISTED

### Swivels

MODEL NO.	DESCRIPTION
006350 <sup>^</sup>	¾" M x ¾" F Multi-plane E85 Swivel

<sup>^</sup> NOT UL LISTED

### Spouts

MODEL NO.	DESCRIPTION
006207	Unleaded E85 Spout Assembly

### Pressure/Vacuum Vents

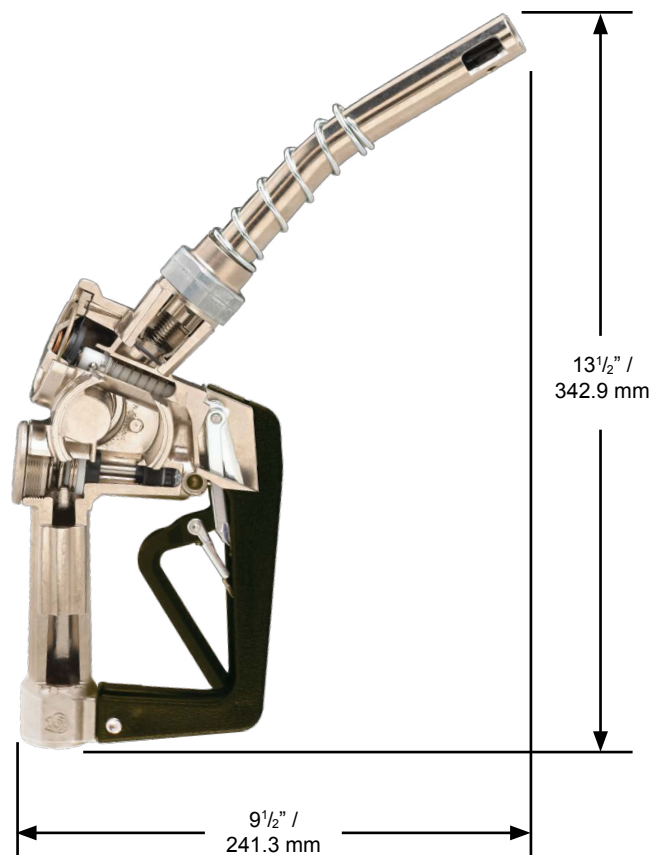
MODEL NO.	DESCRIPTION
004620	2" Slip-On Pressure Vacuum Vent
004885	2" Thread-On Pressure Vacuum Vent - NPT
005885	2" Thread-On Pressure Vacuum Vent with Internal Screen - NPT

### Accessories, Testing and Maintenance

MODEL NO.	DESCRIPTION
003593	Hold Open Clip Kit
007490	Internal Flo-Equalizer® - 10 gpm / 37.9 Lpm
007089	Nozzle Service Kit
004951	Spout Nut
000397	Unleaded Spout Gauge

### Guards

MODEL NO.	DESCRIPTION
003376	Black Handle Guard
004145	Full Grip Guard
001806	Full Grip Reguard
005494	Lever Guard
003440	Mate Easy-on Package
003795	Mate Guard
006628	POPD® Clear Cover
006665	POPD® Full Grip Guard
007205	POPD® Full Grip Reguard
007815	POPD® Mate Guard
001506	Protection Package
001809	Reguard Protection Package
001808	Waffle Splash Guard



2325 Husky Way • Pacific, MO 63069  
 (800) 325-3558 • Fax (636) 825-7300  
[www.husky.com](http://www.husky.com) • [sales@husky.com](mailto:sales@husky.com)

MADE IN THE U.S.A.

## Pressure activated, automatic shut-off nozzle for full-service, self-service and unattended stations.

- XS® E85 nozzle shuts off when:
  - the pump shuts off.
  - the gas tank is full.
  - the lever is opened before the pump is turned on.
  - the leak detector has not completed the test cycle.
- Aluminum body, spout, and internal parts are nickel plated to prevent contamination and corrosion from Ethanol blends.
- Contains a poppet seal rated at -40° F/C to prevent fuel leakage from the main seal in extreme cold weather.
- *StreamShaper*® reduces turbulence for straighter fuel flow and less splash back spillage.
- Compatible with unleaded and all Ethanol blends through E-85.
- A reinforced stainless steel spout bushing keeps the spout tip round and acts as a captive fastener to prevent tip-end sensor damage.
- Nozzle is equipped with a unique Flo-Stop® device that shuts off the nozzle if it falls from the fill tank or raises above the horizontal.
- Nozzle comes with smooth full grip guard.
- New poppet seal design in conjunction with new tilt poppet design improves flow control (“to-the-penny” dispensing) and provides enhanced endurance over time.



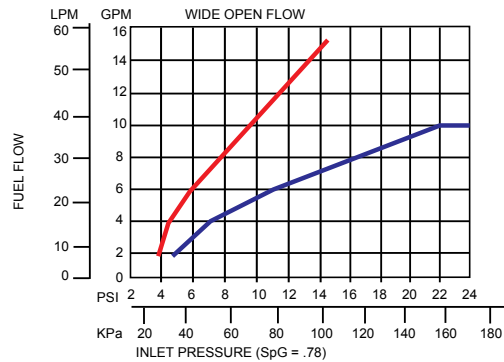
### New Unleaded Nozzles

MODEL NO.	DESCRIPTION	SHIPPING WEIGHT LBS (KG)
666164	with Three Notch Hold Open Clip and Waffle Splash Guard	2.9 (1.3)
666154N^	with Hold Open Clip, Full Grip Guard, Waffle Splash Guard, Cold Weather Seals and Flo-Equalizer®	3.0 (1.2)

^ NOT LISTED

### Construction

Body	Die cast aluminum with Electroless Nickel Plating
Seals	Fluorocarbon
Handguard	Polymer
Packing	Double O-ring seal protected by fiber reinforced Teflon®
Lever	Polymer
Inlet	¾" / 19 mm NPT



WARNING: Cancer and Reproductive Harm - www.P65Warnings.ca.gov

**Husky**

GENERAL FUELING PRODUCTS

**XS® E85 CW PHG Nozzles**

**Pressure activated, automatic shut-off nozzle for full-service, self-service and unattended stations.**

## Dimensions and System Options

### Safe-T-Breaks®

MODEL NO.	DESCRIPTION
006360 <sup>^</sup>	¾" F x ¾" F Reconnectable E85 Safe-T-Break®
006273	¾" F x ¾" F Non-Reconnectable E85 Safe-T-Break®

<sup>^</sup> NOT UL LISTED

### Swivels

MODEL NO.	DESCRIPTION
006350 <sup>^</sup>	¾" M x ¾" F Multi-plane E85 Swivel

<sup>^</sup> NOT UL LISTED

### Spouts

MODEL NO.	DESCRIPTION
006207	Unleaded E85 Spout without Flo-Stop®

### Pressure/Vacuum Vents

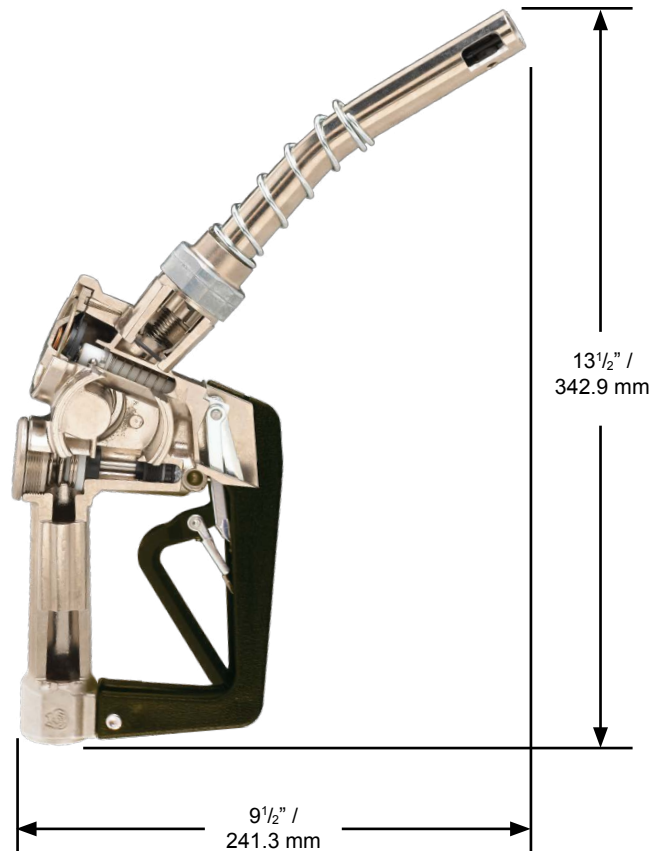
MODEL NO.	DESCRIPTION
004620	2" Slip-On Pressure Vacuum Vent
004885	2" Thread-On Pressure Vacuum Vent - NPT
005885	2" Thread-On Pressure Vacuum Vent with Internal Screen - NPT

### Accessories, Testing, and Maintenance

MODEL NO.	DESCRIPTION
003593	Hold Open Clip Kit
007490	Internal Flo-Equalizer® - 10 gpm / 37.9 Lpm
007089	Nozzle Service Kit
000397	Unleaded Spout Gauge

### Guards

MODEL NO.	DESCRIPTION
003376	Black Handle Guard
004145	Full Grip Guard
001806	Full Grip Reguard
005494	Lever Guard
003440	Mate Easy-on Package
003795	Mate Guard
006628	POPD® Clear Cover
006665	POPD® Full Grip Guard
007205	POPD® Full Grip Reguard
007815	POPD® Mate Guard
001506	Protection Package
001809	Reguard Protection Package
001808	Waffle Splash Guard



2325 Husky Way • Pacific, MO 63069  
 (800) 325-3558 • Fax (636) 825-7300  
[www.husky.com](http://www.husky.com) • [sales@husky.com](mailto:sales@husky.com)

MADE IN THE U.S.A.

# XS<sup>®</sup> E25 PHG Nozzle



**Pressure activated, automatic shut-off nozzle for full-service, self-service and unattended stations.**

- XS<sup>®</sup> E25 Nozzle shuts off when:
  - the pump shuts off.
  - the gas tank is full.
  - the lever is opened before the pump is turned on.
  - the leak detector has not completed the test cycle.
- *StreamShaper<sup>®</sup>* reduces turbulence for straighter fuel flow and less splash back spillage.
- Compatible with unleaded and all Ethanol blends through E-25.
- A reinforced stainless steel spout bushing keeps the spout tip round and acts as a captive fastener to prevent tip-end sensor damage.
- Nozzle is equipped with a unique Flo-Stop<sup>®</sup> device that shuts off the nozzle if it falls from the fill tank or raises above the horizontal.
- Nozzle comes with smooth full grip guard.
- All seals are UL approved fluorocarbon compounds to prevent deterioration from Ethanol blends.
- New poppet seal design in conjunction with new tilt poppet design improves flow control (“to-the-penny” dispensing) and provides enhanced endurance over time.



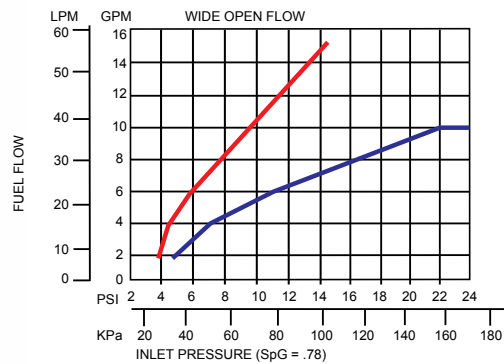
## New Unleaded Nozzle

MODEL NO.	DESCRIPTION	SHIPPING WEIGHT LBS (KG)
1108689	with Single Notch Hold Open Clip, POPD <sup>®</sup> s Full Grip Guard and Waffle Splash Guard	3.0 (1.3)
11086179	with Single Notch Hold Open Clip and Waffle Splash Guard	3.0 (1.3)
11084181	with Three Notch Hold Open Clip, POPD <sup>®</sup> H Full Grip Guard and 1807 Waffle Splash Guard	3.0 (1.2)
1503204N <sup>^</sup>	with Two Notch Hold Open Clip, EZ Lever and Full Grip Guard	3.0 (1.2)
E1503204	with Two Notch Hold Open Clip, EZ Lever and Mate Guard	3.0 (1.2)
E1503259	with Two Notch Hold Open Clip, EZ Lever, Mate Guard and Waffle Splash Guard	3.0 (1.2)

<sup>^</sup> NOT LISTED

## Construction

Body	One piece die cast aluminum
Seals	Fluorocarbon
Handguard	Polymer
Packing	Double O-ring seal protected by fiber reinforced Teflon <sup>®</sup>
Lever	Polymer
Inlet	¾" / 19 mm NPT



**!** WARNING: Cancer and Reproductive Harm - [www.P65Warnings.ca.gov](http://www.P65Warnings.ca.gov)

XS<sup>®</sup>

## E25 PHG Nozzle

Pressure activated, automatic shut-off nozzle for full-service, self-service and unattended stations.

## Dimensions and System Options

### Safe-T-Breaks<sup>®</sup>

MODEL NO.	DESCRIPTION
006360 <sup>^</sup>	¾" F x ¾" F Reconnectable E25 Safe-T-Break <sup>®</sup>
006273	¾" F x ¾" F Non-Reconnectable E25/E85 Safe-T-Break <sup>®</sup>

<sup>^</sup> NOT LISTED

### Spouts

MODEL NO.	DESCRIPTION
011100	Unleaded E25 Spout Assembly

### Pressure/Vacuum Vents

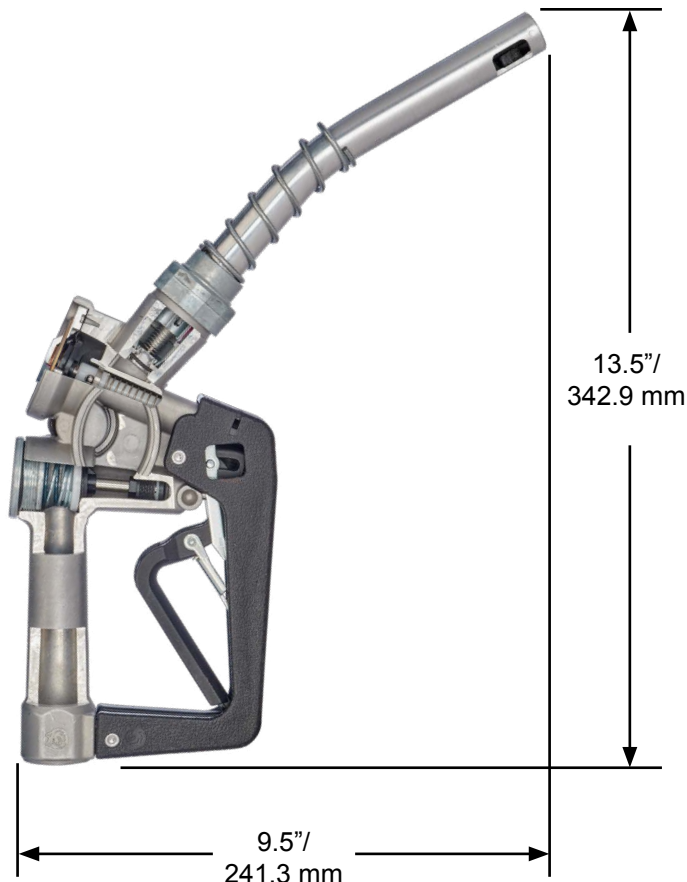
MODEL NO.	DESCRIPTION
004620	2" Slip-On Pressure Vacuum Vent
004885	2" Thread-On Pressure Vacuum Vent - NPT
005885	2" Thread-On Pressure Vacuum Vent with Internal Screen - NPT

### Accessories, Testing and Maintenance

MODEL NO.	DESCRIPTION
003593	Hold Open Clip Kit
007089	Nozzle Service Kit
004951	Spout Nut
000397	Unleaded Spout Gauge

### Guards

MODEL NO.	DESCRIPTION
003376	Black Handle Guard
004145	Full Grip Guard
001806	Full Grip Reguard
005494	Lever Guard
003440	Mate Easy-on Package
003795	Mate Guard
006628	POPD <sup>®</sup> Clear Cover
006665	POPD <sup>®</sup> Full Grip Guard
007205	POPD <sup>®</sup> Full Grip Reguard
007815	POPD <sup>®</sup> Mate Guard
001506	Protection Package
001809	Reguard Protection Package
001808	Waffle Splash Guard



2325 Husky Way • Pacific, MO 63069  
 (800) 325-3558 • Fax (636) 825-7300  
[www.husky.com](http://www.husky.com) • [sales@husky.com](mailto:sales@husky.com)

MADE IN THE U.S.A.



# XS<sup>®</sup> E25 CW PHG Nozzle



6-8

ETHANOL FUELING

**Pressure activated, automatic shut-off nozzle for full-service, self-service and unattended stations.**

- XS<sup>®</sup> E25 nozzle shuts off when:
  - the pump shuts off.
  - the gas tank is full.
  - the lever is opened before the pump is turned on.
  - the leak detector has not completed the test cycle.
- *StreamShaper*<sup>®</sup> reduces turbulence for straighter fuel flow and less splash back spillage.
- Compatible with unleaded and all Ethanol blends through E-25.
- A reinforced stainless steel spout bushing keeps the spout tip round and acts as a captive fastener to prevent tip-end sensor damage.
- Nozzle is equipped with a unique Flo-Stop<sup>®</sup> device that shuts off the nozzle if it falls from the fill tank or raises above the horizontal.
- Nozzle comes with smooth full grip guard.
- All seals are UL approved fluorocarbon compounds to prevent deterioration from Ethanol blends.
- New poppet seal design in conjunction with new tilt poppet design improves flow control (“to-the-penny” dispensing) and provides enhanced endurance over time.
- Contains a poppet seal rated at -40° F/C to prevent fuel leakage from the main seal in extreme cold weather.

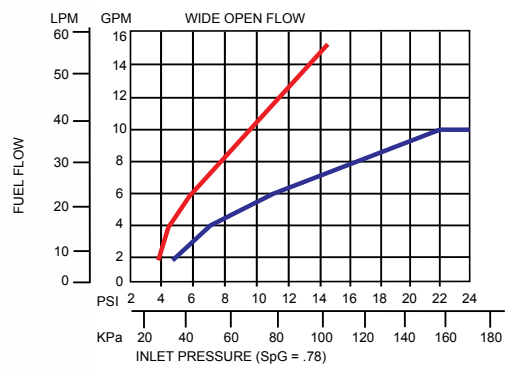


## New Unleaded Nozzle

MODEL NO.	DESCRIPTION	SHIPPING WEIGHT LBS (KG)
1108459	with Three Notch Hold Open Clip and Waffle Splash Guard	3.0 (1.3)
		^ NOT LISTED

## Construction

Body	One piece die cast aluminum
Seals	Fluorocarbon
Handguard	Polymer
Packing	Double O-ring seal protected by fiber reinforced Teflon <sup>®</sup>
Lever	Polymer
Inlet	3/4" / 19 mm NPT



WARNING: Cancer and Reproductive Harm - www.P65Warnings.ca.gov



# XS® E25 CW PHG Nozzle

Pressure activated, automatic shut-off nozzle for full-service, self-service and unattended stations.

## Dimensions and System Options

### Safe-T-Breaks®

MODEL NO.	DESCRIPTION
006360^	¾" F x ¾" F Reconnectable E25 Safe-T-Break®
006273	¾" F x ¾" F Non-Reconnectable E25/E85 Safe-T-Break®

^ NOT LISTED

### Spouts

MODEL NO.	DESCRIPTION
011100	Unleaded E25 Spout Assembly

### Pressure/Vacuum Vents

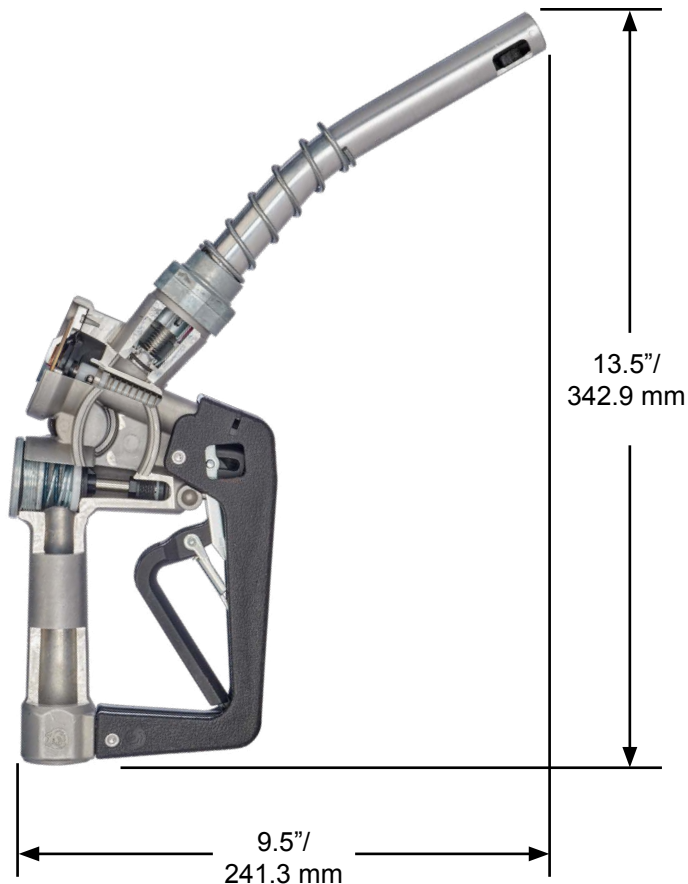
MODEL NO.	DESCRIPTION
004620	2" Slip-On Pressure Vacuum Vent
004885	2" Thread-On Pressure Vacuum Vent - NPT
005885	2" Thread-On Pressure Vacuum Vent with Internal Screen - NPT

### Accessories, Testing and Maintenance

MODEL NO.	DESCRIPTION
003593	Hold Open Clip Kit
007089	Nozzle Service Kit
004951	Spout Nut
000397	Unleaded Spout Gauge

### Guards

MODEL NO.	DESCRIPTION
003376	Black Handle Guard
004145	Full Grip Guard
001806	Full Grip Reguard
005494	Lever Guard
003440	Mate Easy-on Package
003795	Mate Guard
006628	POPD® Clear Cover
006665	POPD® Full Grip Guard
007205	POPD® Full Grip Reguard
007815	POPD® Mate Guard
001506	Protection Package
001809	Reguard Protection Package
001808	Waffle Splash Guard



2325 Husky Way • Pacific, MO 63069  
 (800) 325-3558 • Fax (636) 825-7300  
[www.husky.com](http://www.husky.com) • [sales@husky.com](mailto:sales@husky.com)

MADE IN THE U.S.A.



GENERAL FUELING PRODUCTS

# Whiskey Nozzles

## Automatic shut-off nozzle for wine and distilled spirits dispensing.

- Modular design for easy cleaning.
- Nozzle shuts off when the container is full.
- Comes standard with mate nozzle guard and handle cover.
- Seals provide maximum durability and chemical resistance to high concentrations of ethanol.
- Stainless Steel construction.
- Constructed with food grade materials.



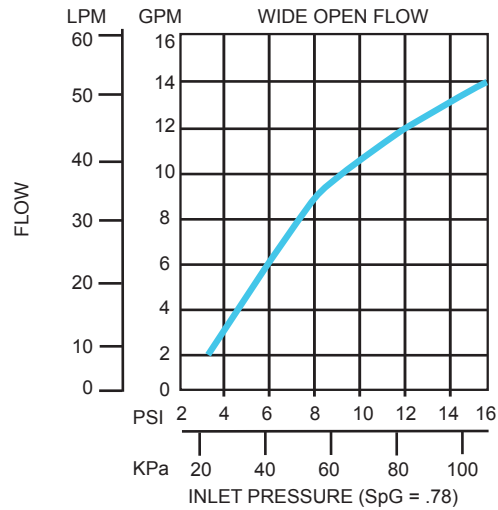
### New WN Nozzles

MODEL NO.	DESCRIPTION	SHIPPING WEIGHT LBS (KG)
E8528104N <sup>^</sup>	Stainless steel, 1" Inlet BSPP, 3/4" OD spout, mate nozzle guard and two notch hold open clip	3.0 (1.3)

<sup>^</sup> NOT LISTED

### Construction

Body	Investment Cast Stainless Steel
Disc	Ethylene Propylene
Packing	Double o-ring seal protected by fiber reinforced Teflon <sup>®</sup>
Lever	One piece contoured steel with hard plastic cover
Inlet	1" / 25.4 mm BSPP



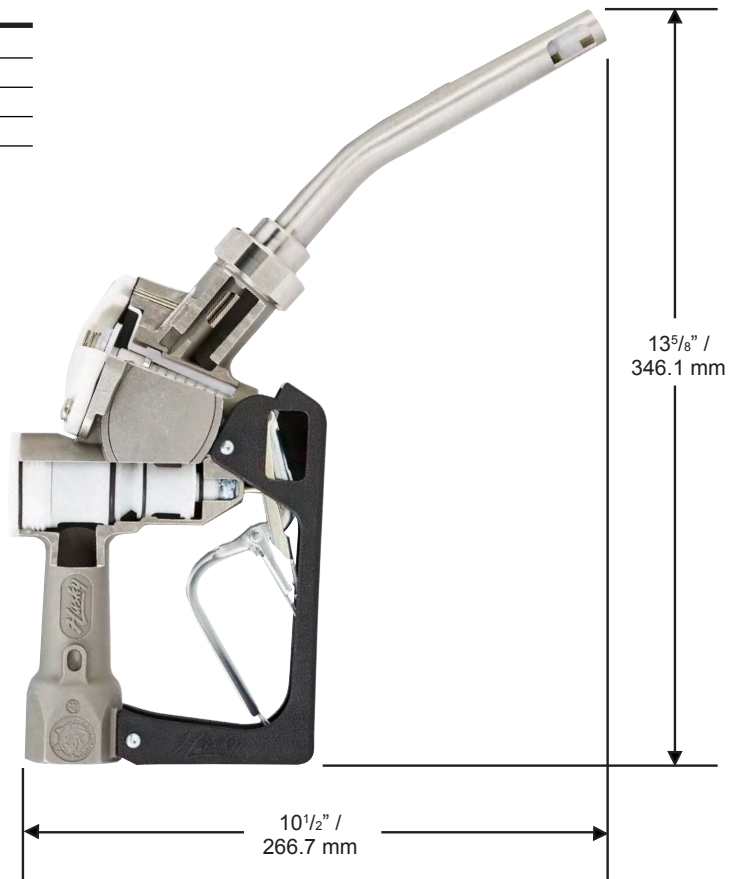
WARNING: Cancer and Reproductive Harm - [www.P65Warnings.ca.gov](http://www.P65Warnings.ca.gov)

Automatic shut-off nozzle for wine and distilled spirits dispensing.

## Dimensions and System Options

### Guards

MODEL NO.	DESCRIPTION
008429	Handguard Repair
007376	Handle Cover (Black)
000226	Mate Guard



2325 Husky Way • Pacific, MO 63069  
 (800) 325-3558 • Fax (636) 825-7300  
[www.husky.com](http://www.husky.com) • [sales@husky.com](mailto:sales@husky.com)

MADE IN THE U.S.A. 

## Automatic shut-off nozzle for distilled spirits dispensing.

- Aluminum body, spout, and internal parts are nickel-plated to prevent contamination and corrosion.
- *StreamShaper*® reduces turbulence for straighter flow and less splash back spillage.
- Nozzle comes standard with Mate Nozzle Guard and Black Handle Cover.
- Seals provide maximum durability and chemical resistance to high concentrations of ethanol.
- Stainless steel reinforced spout bushing keeps the spout tip round and acts as a captive fastener to prevent tip-end sensor damage.
- Nozzle shuts off when the container is full.

### New XWN Nozzles with NPT

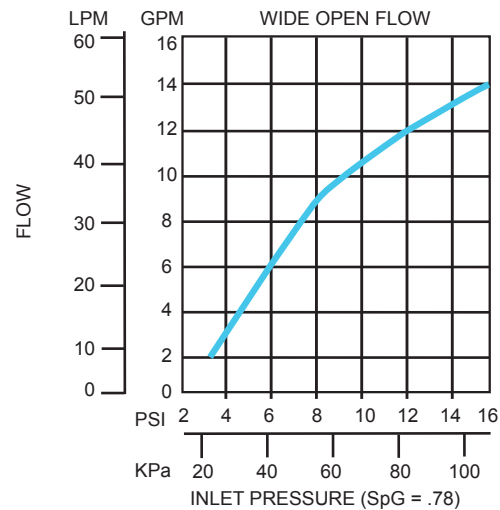
MODEL NO.	DESCRIPTION	SHIPPING WEIGHT LBS (KG)
E84004N <sup>^</sup>	Nickel-Plated, with 3/4" NPT Inlet, 13/16" O.D. Spout, Mate Nozzle Guard, and Three Notch Hold Open Clip; without Flo-Stop®	2.8 (1.2)
		^ NOT LISTED

### New XWN Nozzles with BSP

MODEL NO.	DESCRIPTION	SHIPPING WEIGHT LBS (KG)
E840016N <sup>^</sup>	Nickel-Plated, with 3/4" BSP Inlet, 13/16" O.D. Spout, Mate Nozzle Guard, and Three Notch Hold Open Clip; without Flo-Stop®	2.8 (1.2)
		^ NOT LISTED

### Construction

Body	Die cast aluminum with Electroless Nickel Plating
Disc	Fluorocarbon
Packing	Double O-ring seal protected by fiber reinforced Teflon®
Lever	One piece high-impact polymer
Inlet	3/4" / 19 mm NPT or 3/4" / 19 mm BSP



**!** WARNING: Cancer and Reproductive Harm - [www.P65Warnings.ca.gov](http://www.P65Warnings.ca.gov)



Automatic shut-off nozzle for distilled spirits dispensing.

## Dimensions and System Options

### Guards

MODEL NO.	DESCRIPTION
012117	Black Handle Guard
003440	Mate Easy-on Package
003795	Mate Guard
001808	Waffle Splash Guard



2325 Husky Way • Pacific, MO 63069  
 (800) 325-3558 • Fax (636) 825-7300  
[www.husky.com](http://www.husky.com) • [sales@husky.com](mailto:sales@husky.com)

MADE IN THE U.S.A. 

# 1AWN Nozzles



**Automatic shut-off nozzle with polymer handguard for distilled spirits dispensing.**

- Nozzle shuts off when the container is full.
- Aluminum reinforced spout bushing keeps spout tip round and acts as a captive fastener to prevent tip-end sensor damage.
- Nozzle comes standard with mate guard and black handle cover.
- *StreamShaper*<sup>®</sup> reduces turbulence for straighter fuel flow and less splash back spillage.
- Aluminum body, spout, and internal parts are nickel plated to prevent contamination and corrosion.
- Seals provide maximum durability and chemical resistance to high concentrations of ethanol.



### New 1AWN Nozzles with NPT

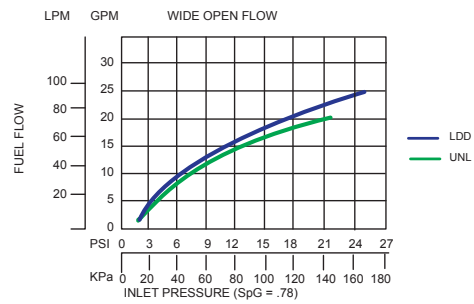
MODEL	DESCRIPTION	SHIPPING WEIGHT LBS (KG)
E874203N <sup>^</sup>	Nickel-Plated, with 1" NPT inlet, 15/16" O.D. Spout, Mate Guard and Three Notch Hold Open Clip; without Flo-Stop <sup>®</sup>	3.3 (1.4)
		<sup>^</sup> NOT LISTED

### New 1AWN Nozzles with BSP

MODEL	DESCRIPTION	SHIPPING WEIGHT LBS (KG)
E874215N <sup>^</sup>	Nickel-Plated, with 1" BSP inlet, 15/16" O.D. Spout, Mate Guard and Three Notch Hold Open Clip; without Flo-Stop <sup>®</sup>	3.3 (1.4)
		<sup>^</sup> NOT LISTED

### Construction

Body	Die cast aluminum body with electroless nickel plating and black polymer hand guard
Seals	Fluorocarbon
Packing	Double o-ring seal protected by fiber reinforced Teflon <sup>®</sup>
Lever	One piece contoured steel with hard plastic cover
Inlet	1" / 25.4 mm NPT or 1" / 25.4 mm BSP



**WARNING:** Cancer and Reproductive Harm - [www.P65Warnings.ca.gov](http://www.P65Warnings.ca.gov)



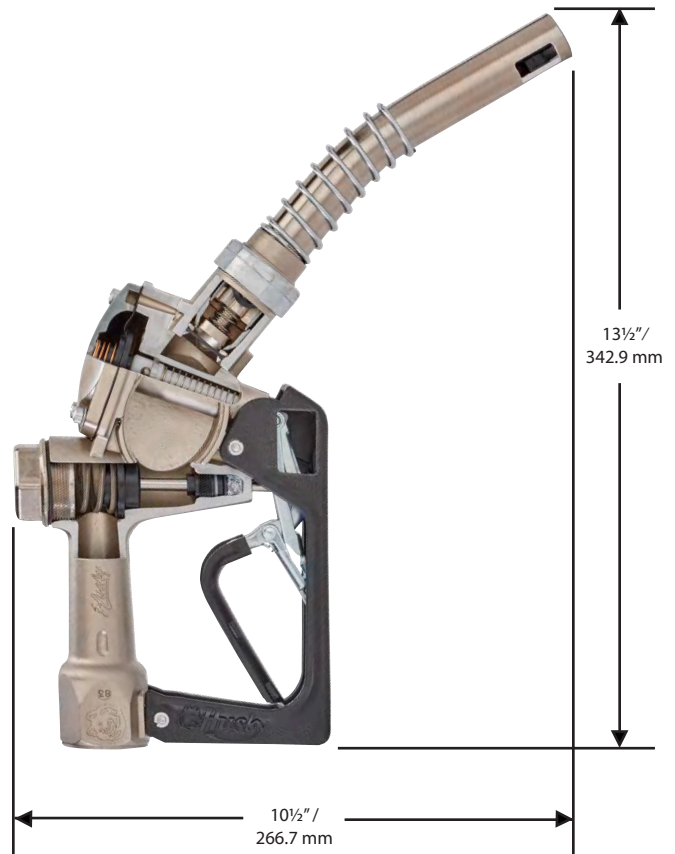
# 1AWN Nozzles

Automatic shut-off nozzle with polymer handguard for distilled spirits dispensing.

## Dimensions and System Options

### Guards

MODEL NO.	DESCRIPTION
000554	Full Grip Guard
005494	Lever Guard
007295	Mate Handle Guard
000226	Mate Nozzle Guard
001808	Waffle Splash Guard



2325 Husky Way • Pacific, MO 63069  
 (800) 325-3558 • Fax (636) 825-7300  
[www.husky.com](http://www.husky.com) • [sales@husky.com](mailto:sales@husky.com)

MADE IN THE U.S.A. 

# VIII WN Nozzles



## High-Flow automatic nozzle for distilled spirits dispensing.

- Nozzle shuts off when the container is full.
- Automatic shut-off with dual poppets for easy opening.
- Nozzle comes standard with full grip guard.
- Aluminum body, spout, and internal parts are nickel plated to prevent contamination and corrosion.
- Seals provide maximum durability and chemical resistance to high concentrations of ethanol.

### New VIII WN Nozzles with NPT

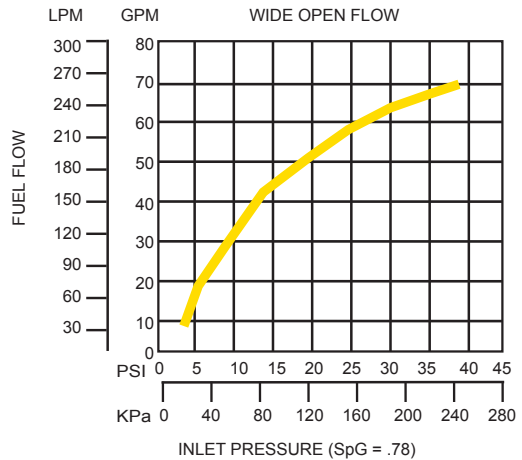
MODEL	DESCRIPTION	SHIPPING WEIGHT LBS (KG)
874110N <sup>^</sup>	Nickel-Plated, with 1" NPT inlet, 1 3/16" O.D. Spout and Three Notch Hold Open Clip; without Flo-Stop <sup>®</sup>	3.9 (1.7)
		<sup>^</sup> NOT LISTED

### New VIII WN Nozzles with BSP

MODEL	DESCRIPTION	SHIPPING WEIGHT LBS (KG)
874138N <sup>^</sup>	Nickel-Plated, with 1" BSP inlet, 1 3/16" O.D. Spout and Three Notch Hold Open Clip; without Flo-Stop <sup>®</sup>	3.9 (1.7)
		<sup>^</sup> NOT LISTED

### Construction

Body	Sand cast aluminum body with electroless nickel plating and black polymer hand guard
Seals	Fluorocarbon
Packing	Double o-ring seal protected by fiber reinforced Teflon <sup>®</sup>
Lever	One piece contoured steel with hard plastic cover
Inlet	1" / 25.4 mm NPT or 1" / 25.4 mm BSP



**WARNING:** Cancer and Reproductive Harm - [www.P65Warnings.ca.gov](http://www.P65Warnings.ca.gov)

**Husky**

GENERAL FUELING PRODUCTS

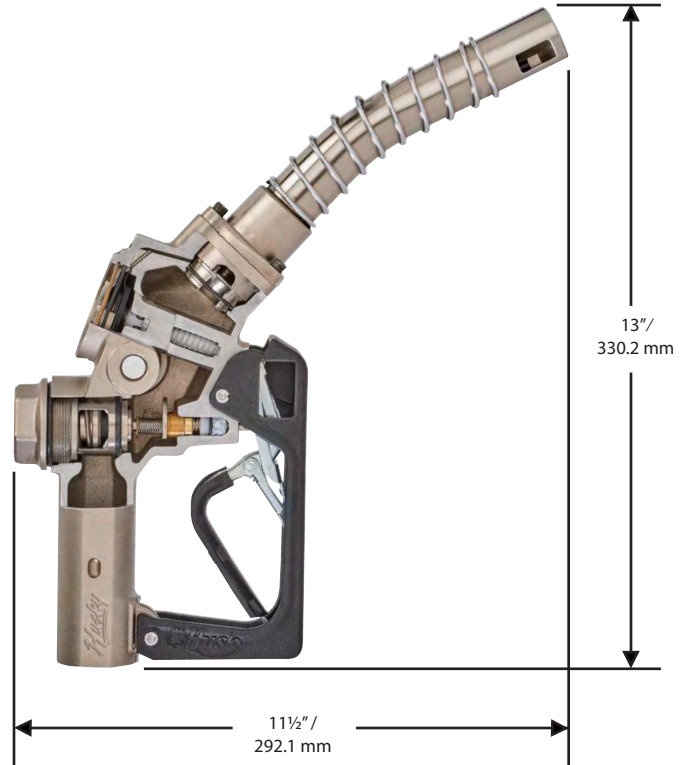
# VIII WN Nozzles

High-Flow automatic nozzle for distilled spirits dispensing.

## Dimensions and System Options

### Guards

MODEL NO.	DESCRIPTION
004740	Full Grip Guard
005494	Lever Guard
001808	Waffle Splash Guard



2325 Husky Way • Pacific, MO 63069  
 (800) 325-3558 • Fax (636) 825-7300  
[www.husky.com](http://www.husky.com) • [sales@husky.com](mailto:sales@husky.com)

MADE IN THE U.S.A. 

# 1690WN Nozzles



## Extreme High-Flow automatic nozzle for distilled spirits dispensing.

- Nozzle designed with extra large hand opening to accomodate gloves or mittens.
- Automatic shut-off with dual poppets for easy opening.
- Aluminum body, spout, and internal parts are nickel plated to prevent contamination and corrosion.
- Seals provide maximum durability and chemical resistance to high concentrations of ethanol.
- Cast-in protective standoffs provide durability with rough usage
- Right angle design allows nozzle to "fit" close to walls and corners.



### New 1690WN Nozzles with NPT

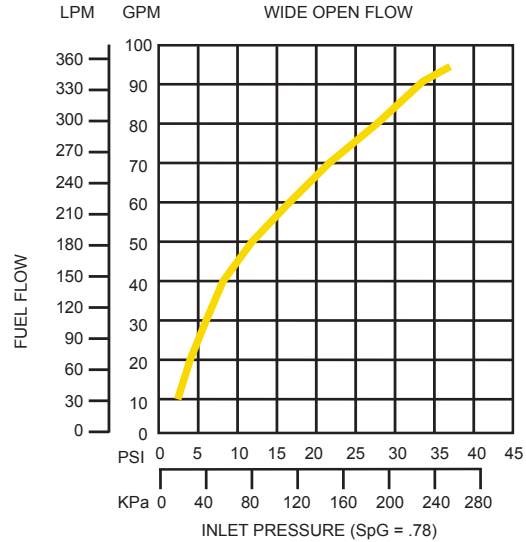
MODEL	DESCRIPTION	SHIPPING WEIGHT LBS (KG)
875010N <sup>^</sup>	Nickel-Plated, with 1 1/2" NPT inlet, 1 3/8" O.D. Spout and Two position Hold latch	4.6 (2.0)
		<sup>^</sup> NOT LISTED

### New 1690WN Nozzles with BSP

MODEL	DESCRIPTION	SHIPPING WEIGHT LBS (KG)
875038N <sup>^</sup>	Nickel-Plated, with 1 1/2" BSP inlet, 1 3/8" O.D. Spout and Two position Hold latch	4.6 (2.0)
		<sup>^</sup> NOT LISTED

### Construction

Body	Sand cast aluminum body with electroless nickel plating
Seals	Fluorocarbon
Packing	Double o-ring seal protected by fiber reinforced Teflon <sup>®</sup>
Lever	One piece contoured steel
Inlet	1 1/2" NPT or 1 1/2" BSP



**!** WARNING: Cancer and Reproductive Harm - [www.P65Warnings.ca.gov](http://www.P65Warnings.ca.gov)

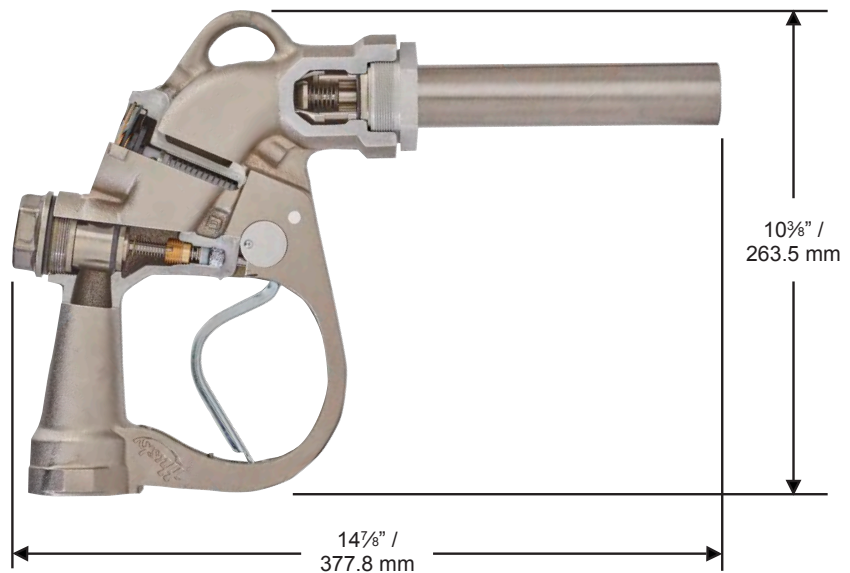




# 1690WN Nozzles

Extreme High-Flow automatic nozzle for distilled spirits edispensing.

## Dimensions and System Options



2325 Husky Way • Pacific, MO 63069  
(800) 325-3558 • Fax (636) 825-7300  
[www.husky.com](http://www.husky.com) • [sales@husky.com](mailto:sales@husky.com)

MADE IN THE U.S.A. 



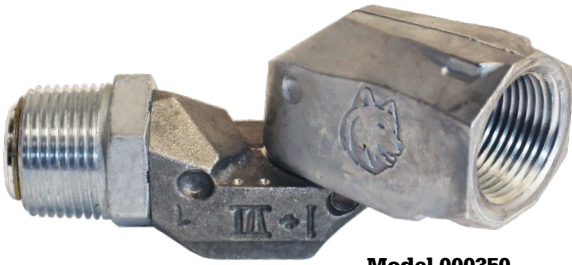
GENERAL FUELING PRODUCTS

# Swivels

# Standard Swivels



For standard fueling applications.



Model 000350



Model 002272

## Features

### All Husky® Multi-Plane Swivels

- Compatible with unleaded, diesel, and Ethanol blends through E10.
- Compact and light weight for easy handling.
- High flow rates due to laminar flow design.
- High strength step shoulder bearing diameters and impact absorbing stops.

### Model 002950 Restricted Swivel

- Multi-Plane, 210° spherical rotation at the swivel nut.
- Double o-ring seals at each swivel provide long life at low temperatures (-40° F/C).

### All Weather Swivels

- Multi-Plane, full 360° spherical rotation for easy movement of nozzle.
- Double o-ring seals at each swivel provide long life at low temperatures (-40° F/C).

## Construction

Body: High Aluminum Zinc Alloy

Inner O-ring: Fluorsilicone

Outer O-ring: Fluorocarbon

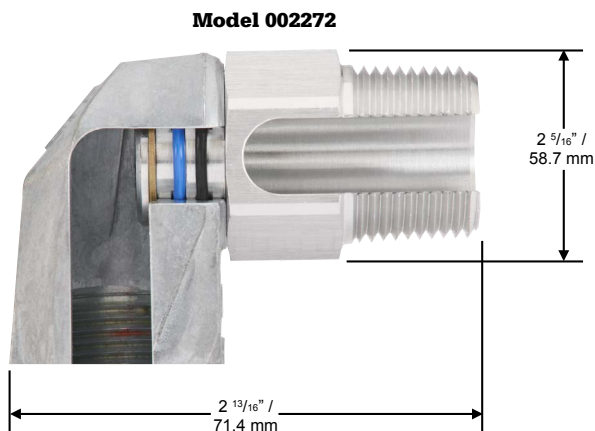
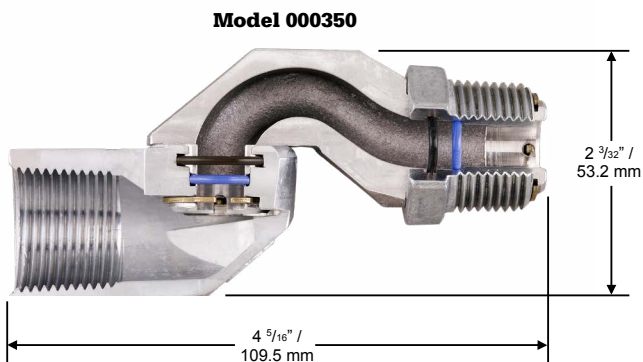
Model No.	Size	Thread	Type	Shipping Wt. Lbs/Kg
000350	3/4" M x 3/4" F	NPT	Multi-Plane Swivel	.50/.22
000352	1" M x 3/4" F	NPT	Multi-Plane Swivel	.66/.29
000355	3/4" M x 3/4" F	NPT	Multi-Plane Swivel, Black	.49/.22
000356	1" M x 3/4" F	NPT	Multi-Plane Swivel, Black	.66/.29
002272	3/4" M x 3/4" F	NPT	90° Swivel	.38/.17
001491	3/4" M x 3/4" F	BSPT	Multi-Plane Swivel	.50/.22
003590	3/4" M x 3/4" F	BSPP	Multi-Plane Swivel	.60/.27
003590A*	3/4" M x 3/4" F	BSPP	Multi-Plane Swivel - Atex	.60/.27
002771	3/4" M x 3/4" F	BSPP	90° Swivel	.38/.17
002771A*	3/4" M x 3/4" F	BSPP	90° Swivel - Atex	.38/.17



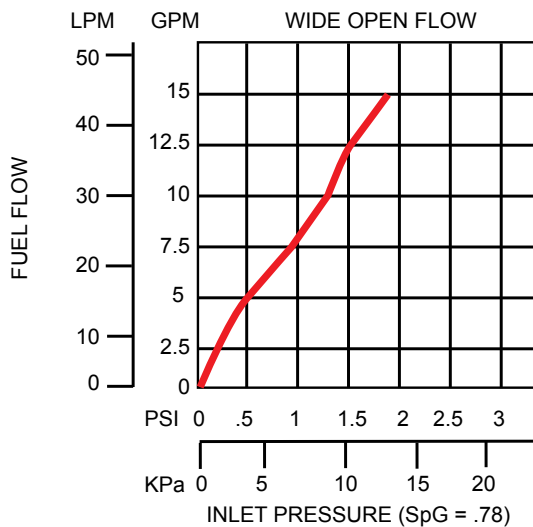
WARNING: Cancer and Reproductive Harm - www.P65Warnings.ca.gov

For standard fueling applications.

## Dimensions



## Flow Charts



# Inline Swivels



For standard fueling applications.

Model 003895



### Features

#### All Husky® Multi-Plane Swivels

- Compatible with unleaded, diesel, and Ethanol blends through E10.
- Compact and light weight for easy handling.
- High flow rates due to laminar flow design.
- High strength step shoulder bearing diameters and impact absorbing stops.

#### All Weather Swivels

- Multi-Plane, full 360° spherical rotation for easy movement of nozzle.
- Double o-ring seals at each swivel provide long life at low temperatures (-40° F/C).

### Construction

Body: Aluminum

Inner O-ring: Fluorsilicone

Outer O-ring: Fluorosilicone

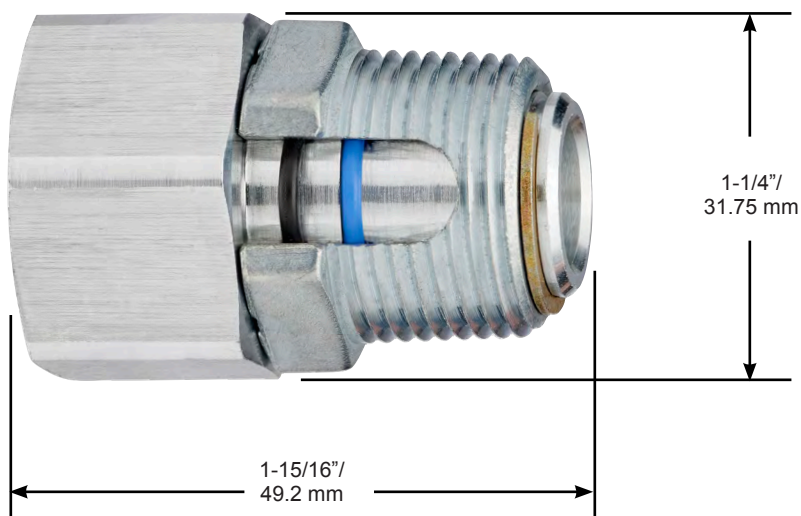
Model No.	Size	Thread	Type	Shipping Wt. Lbs/Kg
003895	3/4" M x 3/4" F	NPT	Single Plane Swivel	1.4/.65
003898	3/4" M x 1" F	NPT	Single Plane Swivel	1.4/.65
008517	1" M x 1" F	NPT	Single Plane Swivel	1.4/.65
003755	3/4" M x 3/4" F	BSPP	Single Plane Swivel	1.4/.65
003760	3/4" M x 1" F	BSPT	Single Plane Swivel	1.4/.65
003830	1" M x 1" F	BSPP	Single Plane Swivel	1.4/.65



WARNING: Cancer and Reproductive Harm - www.P65Warnings.ca.gov

For standard fueling applications.

## Dimensions

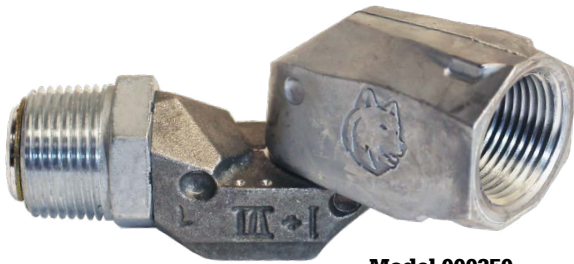


2325 Husky Way • Pacific, MO 63069  
(800) 325-3558 • Fax (636) 825-7300  
[www.husky.com](http://www.husky.com) • [sales@husky.com](mailto:sales@husky.com)

MADE IN THE U.S.A. 



For standard farming applications.



Model 000350



Model 002272

## Features

### All Husky® Multi-Plane Swivels

- Compatible with unleaded, diesel, and Ethanol blends through E10.
- Compact and light weight for easy handling.
- High flow rates due to laminar flow design.
- High strength step shoulder bearing diameters and impact absorbing stops.

### Model 002950 Restricted Swivel

- Multi-Plane, 210° spherical rotation at the swivel nut.
- Double o-ring seals at each swivel provide long life at low temperatures (-40° F/C).

### All Weather Swivels

- Multi-Plane, full 360° spherical rotation for easy movement of nozzle.
- Double o-ring seals at each swivel provide long life at low temperatures (-40° F/C).

## Construction


Body: High Aluminum Zinc Alloy

Inner O-ring: Fluorsilicone

Outer O-ring: Fluorocarbon

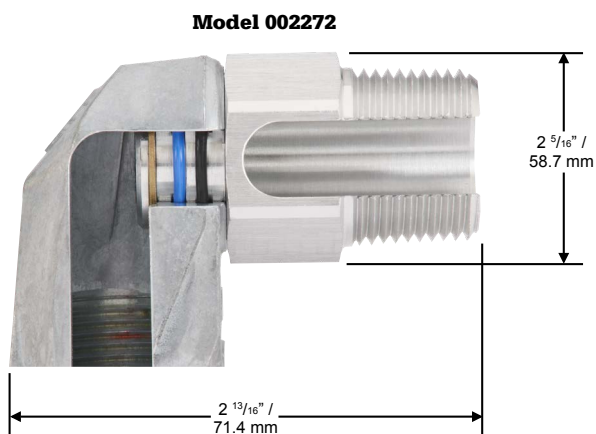
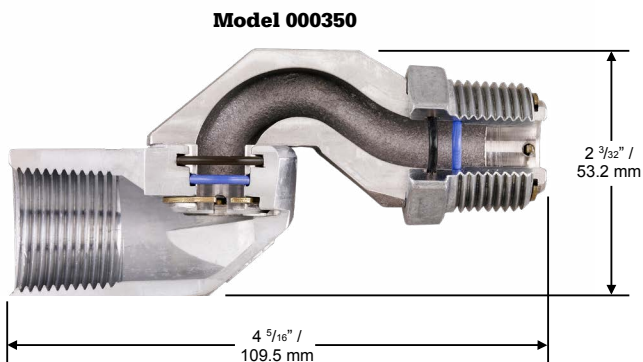
Model No.	Size	Thread	Type	Shipping Wt. Lbs/Kg
000350	3/4" M x 3/4" F	NPT	Multi-Plane Swivel	.50/.22
000350R	3/4" M x 3/4" F	NPT	Multi-Plane Swivel for Retail	.50/.22
000352	1" M x 3/4" F	NPT	Multi-Plane Swivel	.66/.29
000355	3/4" M x 3/4" F	NPT	Multi-Plane Swivel, Black	.49/.22
000356	1" M x 3/4" F	NPT	Multi-Plane Swivel, Black	.66/.29
002272	3/4" M x 3/4" F	NPT	90° Swivel	.38/.17
001491	3/4" M x 3/4" F	BSPT	Multi-Plane Swivel	.50/.22
003590	3/4" M x 3/4" F	BSPP	Multi-Plane Swivel	.60/.27
003590A*	3/4" M x 3/4" F	BSPP	Multi-Plane Swivel - Atex	.60/.27
002771	3/4" M x 3/4" F	BSPP	90° Swivel	.38/.17
002771A*	3/4" M x 3/4" F	BSPP	90° Swivel - Atex	.38/.17



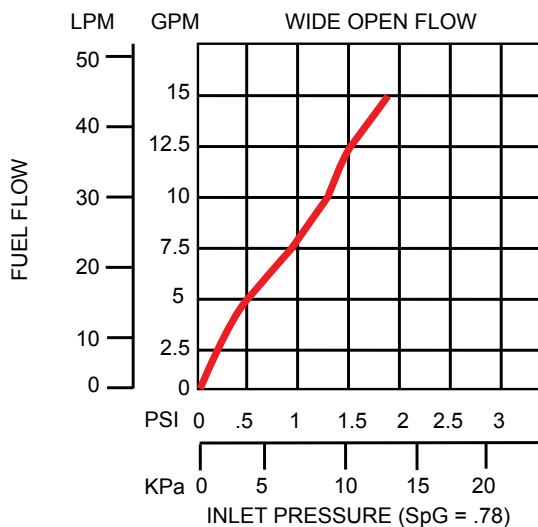
 WARNING: Cancer and Reproductive Harm - www.P65Warnings.ca.gov

For standard farming applications.

## Dimensions



## Flow Charts



**For truck and high volume fueling.**



**Model 004860**



**Model 000087**



**Model 000095**

## Features

### All Husky® Multi-Plane Swivels

- Compatible with diesel fuels and Ethanol blends through E10.
- Compact and light weight for easy handling.
- High flow rates due to laminar flow design.
- High strength step shoulder bearing diameters and impact absorbing stops.
- Double o-ring seals at each swivel provide long life at low temperatures (-40° F/C).

### Husky® High Volume Multi-Plane Swivels

- Multi-Plane, full 360° spherical rotation for easy movement of nozzle.
- For use with high flow nozzles with flow rates up to 100 gpm/ 378 Lpm.
- Raised stainless steel ball bearings provide easy joint movement, greatly improving ease of swivel when used on higher pressure systems.
- 75% less back pressure.

### Husky® Multi-Plane Restricted Swivels

- Multi-Plane, 210° spherical rotation at the swivel nut.

## Construction

### STANDARD

**Body:** High Aluminum Zinc Alloy

**Inner O-ring:** Fluorsilicone

**Outer O-ring:** Fluorocarbon

### HIGH VOLUME

**Body:** Aluminum, Zinc and Zinc Plated Steel

**Inner O-ring:** Fluorsilicone

**Outer O-ring:** Fluorocarbon

Model No.	Size	Thread	Type	Shipping Wt. Lbs/Kg
000087	1" M x 1" F	NPT	Multi-Plane Swivel	.96/ .43
000087R	1" M x 1" F	NPT	Multi-Plane Swivel For Retail	.96/ .43
004860	1" M x 1" F	NPT	High Flow Multi-Plane Swivel	1.4/ .63
004860R	1" M x 1" F	NPT	High Flow Multi-Plane Swivel For Retail	1.4/ .63
000095	1" M x 1" F	NPT	70° Pump Multi-Plane Swivel	.76/ .34
003395	1" M x 1" F	NPT	90° Swivel	.93/ .42
003306	1" M x 1" F	BSPP	Multi-Plane Swivel	1.1/ .49
003306A*	1" M x 1" F	BSPP	Multi-Plane Swivel- Atex	1.1/ .49
006949	1" M x 1" F	BSPP	High Flow Multi-Plane Swivel	1.1/ .49
006949A*	1" M x 1" F	BSPP	High Flow Multi-Plane Swivel- Atex	1.1/ .49

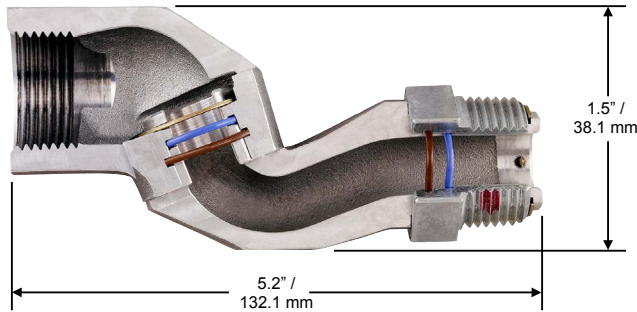


WARNING: Cancer and Reproductive Harm - www.P65Warnings.ca.gov

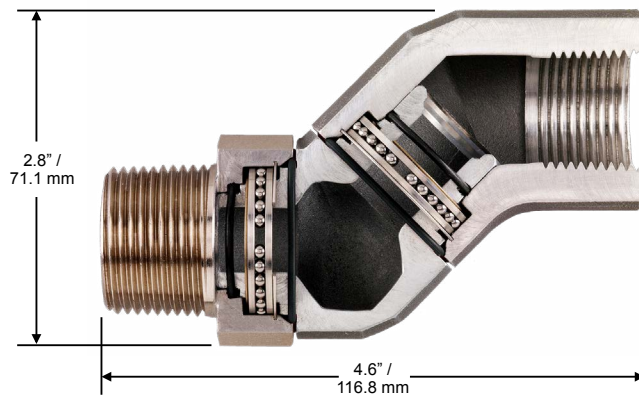
For truck and high volume fueling.

## Dimensions

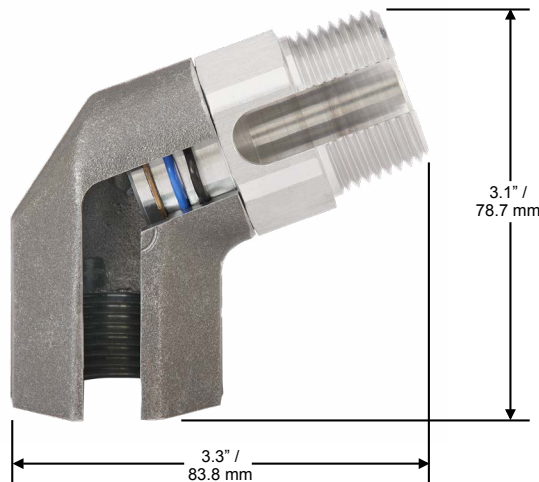
Model 000087, 003306, and 003395



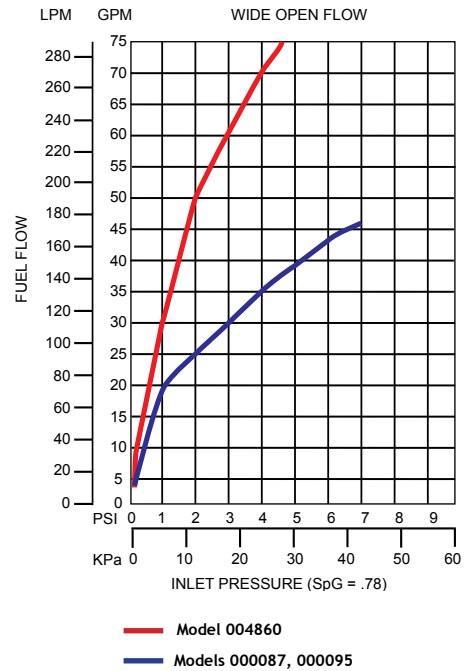
Model 004860 and 006949



Model 000095



## Flow Charts



Vapor Recovery Swivel is compatible with most vacuum assist vapor recovery systems.



**Model VR Swivel**

### Features

- EVR Certified per CARB CP-201.
- 360° rotation at each swivel joint.
- Double o-rings at each swivel joint.
- Can be installed at the nozzle or at the dispenser.
- Stainless steel ball bearings and races allow for easy joint movement and reduces friction, thus extending the life of the swivel.
- Has 2 (two) plane rotation.
- Exceptional flow rate and reduced back pressure.
- Lightweight and compact.

### Construction

Body: Zinc


Inlet Body: Aluminum

Swivel Nut: Electroless, Nickel Plated Aluminum or Steel

Seals: Fluorocarbon

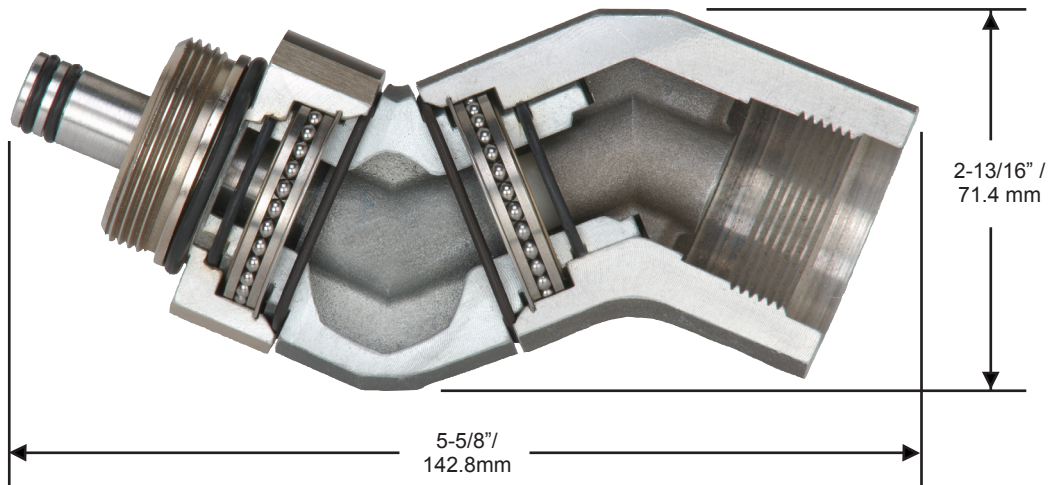
Model No.	Size	Thread	Type	Shipping Wt. Lbs/Kg
004605	M34 x 1.5"	M34	Multi-Plane Swivel	1.0 (.45)
004605A*	M34 x 1.5"	M34	Multi-Plane Swivel - Atex	1.0 (.45)
014620	1-1/4"	1-1/4" x 18	Multi-Plane Swivel, 1-1/4"	1.0 (.45)



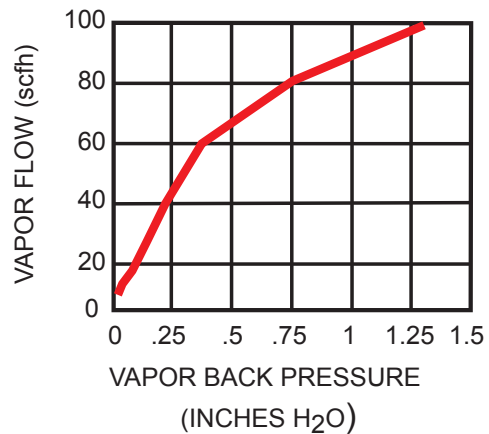
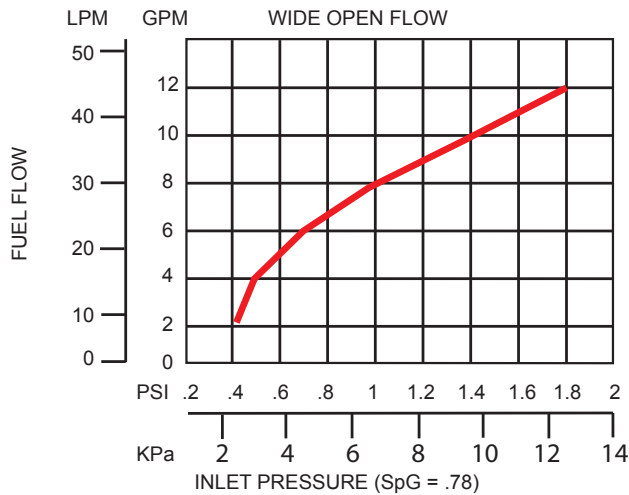
 WARNING: Cancer and Reproductive Harm - [www.P65Warnings.ca.gov](http://www.P65Warnings.ca.gov)

Vapor Recovery Swivel is compatible with most vacuum assist vapor recovery systems.

## Dimensions



## Flow Charts



2325 Husky Way • Pacific, MO 63069  
 (800) 325-3558 • Fax (636) 825-7300  
[www.husky.com](http://www.husky.com) • [sales@husky.com](mailto:sales@husky.com)

MADE IN THE U.S.A.



For truck and high volume fueling.



Model 004860



Model 000087



Model 000095

## Features

### All Husky® Multi-Plane Swivels

- Compatible with diesel fuels and Ethanol blends through E10.
- Compact and light weight for easy handling.
- High flow rates due to laminar flow design.
- High strength step shoulder bearing diameters and impact absorbing stops.
- Double o-ring seals at each swivel provide long life at low temperatures (-40° F/C).

### Husky® High Volume Multi-Plane Swivels

- Multi-Plane, full 360° spherical rotation for easy movement of nozzle.
- For use with high flow nozzles with flow rates up to 100 gpm/ 378 Lpm.
- Raised stainless steel ball bearings provide easy joint movement, greatly improving ease of swivel when used on higher pressure systems.
- 75% less back pressure.

### Husky® Multi-Plane Restricted Swivels

- Multi-Plane, 210° spherical rotation at the swivel nut.

## Construction

### STANDARD

**Body:** High Aluminum Zinc Alloy

**Inner O-ring:** Fluorsilicone

**Outer O-ring:** Fluorocarbon

### HIGH VOLUME

**Body:** Aluminum, Zinc and Zinc Plated Steel

**Inner O-ring:** Fluorsilicone

**Outer O-ring:** Fluorocarbon

Model No.	Size	Thread	Type	Shipping Wt. Lbs/Kg
000087	1" M x 1" F	NPT	Multi-Plane Swivel	.96/.43
004860	1" M x 1" F	NPT	High Flow Multi-Plane Swivel	1.4/.63
000095	1" M x 1" F	NPT	70° Pump Multi-Plane Swivel	.76/.34
003395	1" M x 1" F	NPT	90° Swivel	.93/.42
003306	1" M x 1" F	BSPP	Multi-Plane Swivel	1.1/.49
003306A*	1" M x 1" F	BSPP	Multi-Plane Swivel- Atex	1.1/.49
006949	1" M x 1" F	BSPP	High Flow Multi-Plane Swivel	1.1/.49
006949A*	1" M x 1" F	BSPP	High Flow Multi-Plane Swivel- Atex	1.1/.49



 WARNING: Cancer and Reproductive Harm - www.P65Warnings.ca.gov

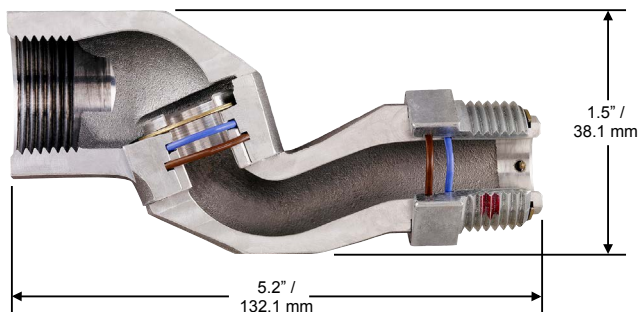


# High Volume Swivels

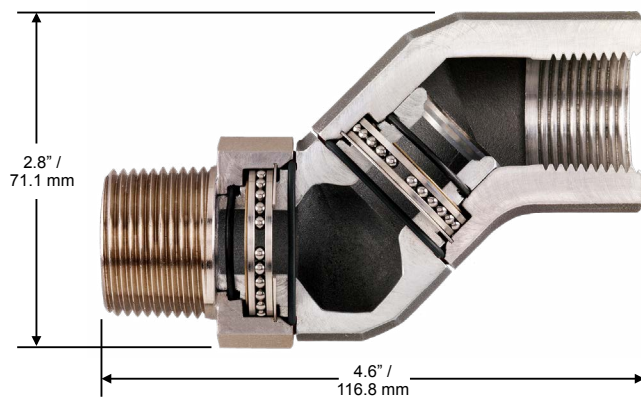
For truck and high volume fueling.

## Dimensions

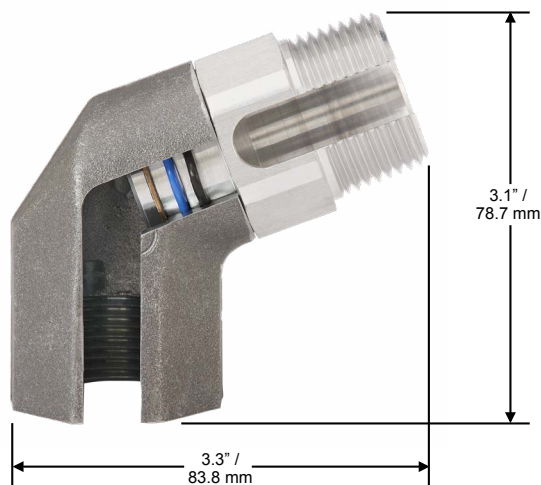
**Model 000087, 003306, 003395 and 007254**



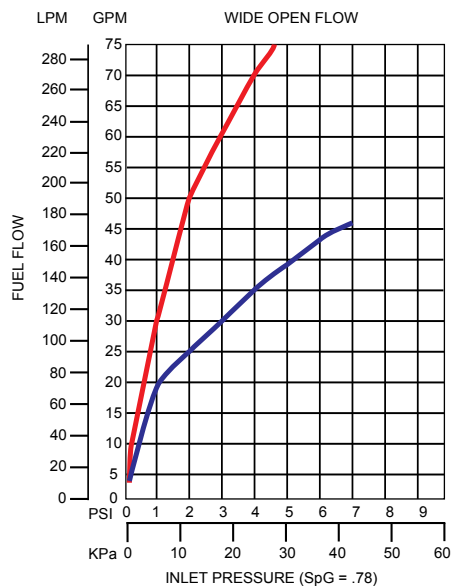
**Model 004860 and 006949**



**Model 000095**



## Flow Charts



— Model 004860, 006949  
 — Models 000087, 000095



2325 Husky Way • Pacific, MO 63069  
 (800) 325-3558 • Fax (636) 825-7300  
[www.husky.com](http://www.husky.com) • [sales@husky.com](mailto:sales@husky.com)

MADE IN THE U.S.A.

# Ultra High Flow Swivels



9-7

SWIVELS

Husky® high volume delivery swivels make it easier to manipulate the long, heavy hoses used on bulk delivery systems.



Model 005265

## Features

- Prevents kinking and twisting of hose.
- Unique stainless steel ball bearing design provides easier joint movement during high pressure applications.
- Easier to angle the nozzle into fill openings.

## Construction

Body: Aluminum

Seals: Fluorocarbon

Model No.	Size	Thread	Type	Shipping Wt. Lbs/Kg
005235	1¼" F x 1¼" M	NPT	Single Plane Swivel	1.4/.65
005240	1¼" F x 1½" M	NPT	Single Plane Swivel	1.4/.65
005265	1½" F x 1¼" M	NPT	Single Plane Swivel	1.4/.65
005266	1½" F x 1½" M	NPT	Single Plane Swivel	1.4/.65
005754	1¼" F x 1½" M	BSPP	Single Plane Swivel	1.4/.65



WARNING: Cancer and Reproductive Harm - [www.P65Warnings.ca.gov](http://www.P65Warnings.ca.gov)

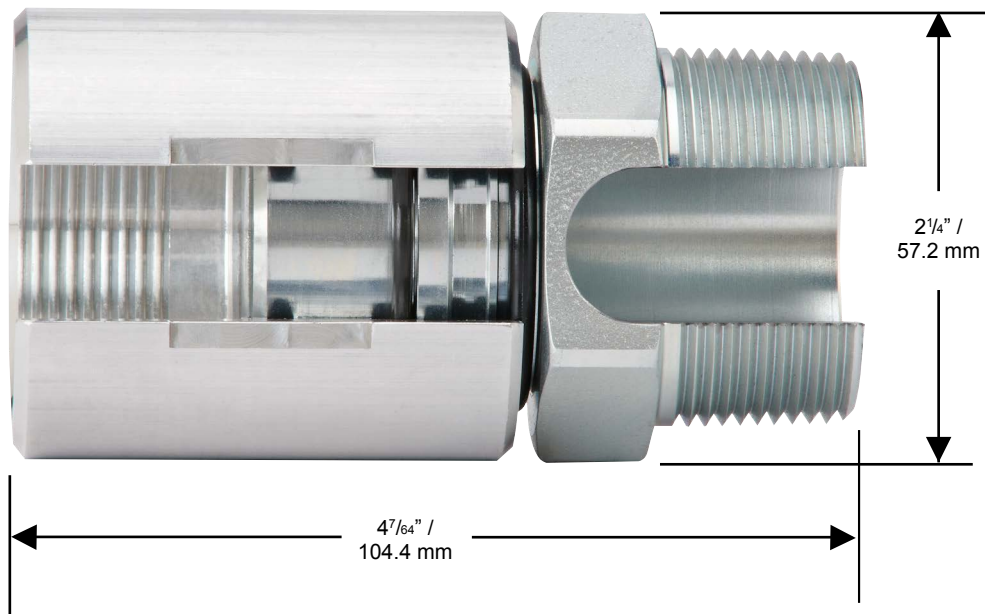


# Ultra High Flow Swivels

Husky high volume delivery swivels make it easier to manipulate the long, heavy hoses used on bulk delivery systems.

## Dimensions

Model 005235, 005240, 005265 and 005266



2325 Husky Way • Pacific, MO 63069  
(800) 325-3558 • Fax (636) 825-7300  
[www.husky.com](http://www.husky.com) • [sales@husky.com](mailto:sales@husky.com)

MADE IN THE U.S.A. 

## Diesel Exhaust Fluid Inline Swivels.

Model 007269



Model 007275



Model 007467/008510/008822



Model 012604/012656



Model 007282/010936



### Features

- Full 360° rotation for easy movement of nozzle.
- Relieves kinking and twisting of the hose.
- High flow rate featuring laminar flow design.
- Compact for easy handling.
- Unique to Husky® products, the steel ball bearing design provides easier joint movement during high pressure applications.
- DEF compatible thread sealant required for NPT threads only

### Construction

Body: Stainless Steel, Anodized Aluminum

Seals: Fluorocarbon

Nut: Stainless Steel

Model No.	Size	Thread	Type	Shipping Wt. Lbs/Kg
007269	1" M x 1" M	BSPP	Inline Swivel	.60/.27
007275	1" M x M34 M	BSPP/M34	Inline Swivel	.62/.28
007282	3/4" M x 3/4" Hose Barb	BSPP	Roller Bearing Inline Swivel	.42/.19
007467	1" F x 1" M	BSPP	Inline Swivel	.66/.30
008510	1" M x 1" F	BSPP/NPT	Inline Swivel	.66/.30
008822	1" F x 1" M	BSPP	Face Seal Inline Swivel	.66/.30
010936	3/4" M x 3/4" Hose Barb	BSPP	Inline Swivel	.42/.19
012604^	3/4" M x 3/4" F	NPT	Roller Bearing Inline Swivel	.23/.10
012656^	3/4" M x 3/4" F	BSPP	Roller Bearing Inline Swivel	.23/.10

^ NOT LISTED

### Accessories

Model No.	Description
007406	3/4" BSPP Seal Kit Assembly
007407	1" BSPP Seal Kit Assembly



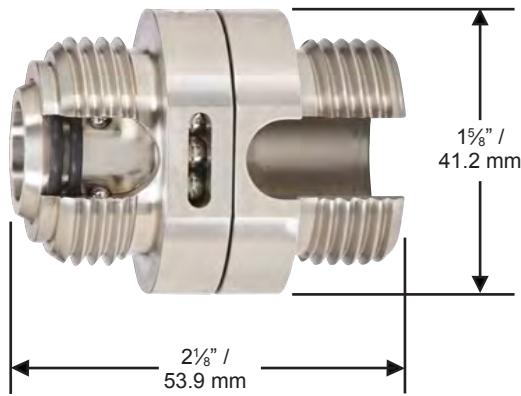
^ NOT LISTED

WARNING: Cancer and Reproductive Harm - www.P65Warnings.ca.gov

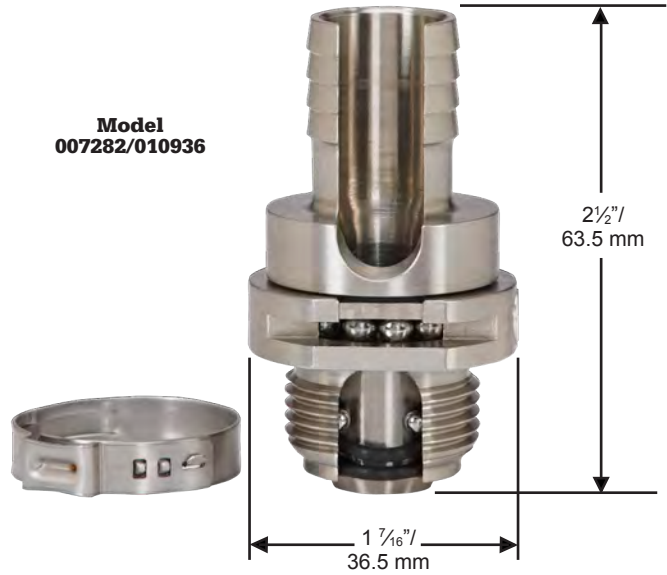
**Diesel Exhaust Fluid Inline Swivels.**

## Dimensions

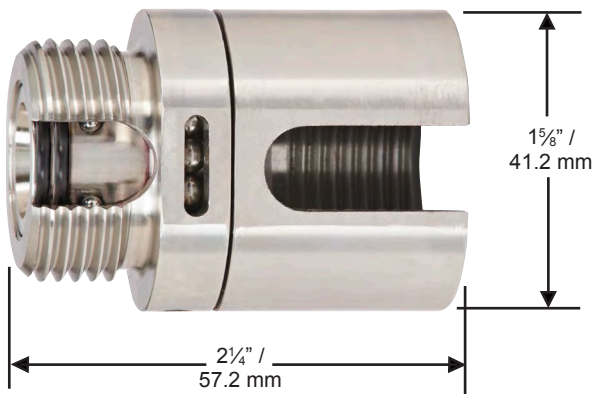
**Model 007269**



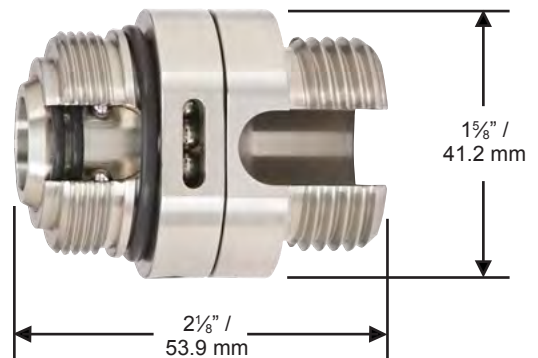
**Model 007282/010936**



**Model 007467/008510/008822**



**Model 007275**





# E85 Swivel



## Husky Model 6350 Multi-Plane Swivel.

Model 6350



### Features

- Multi-Plane, Full 360° spherical rotation for easy movement of nozzle.
- Compatible with unlead, diesel, and all Ethanol blends through E100.
- Compatible with fuels containing alcohol.
- High flow rate due to laminar flow design.
- Compact and light weight for easy handling.
- Double o-ring seals at each swivel provide long life and low temperature (-40° F/C) performance.
- High strength step shoulder bearing diameters and impact absorbing stops.

### Construction


Body: Aluminum with Electroless Nickel Plating

Inner O-ring: Fluorosilicone

Outer O-ring: Fluorocarbon

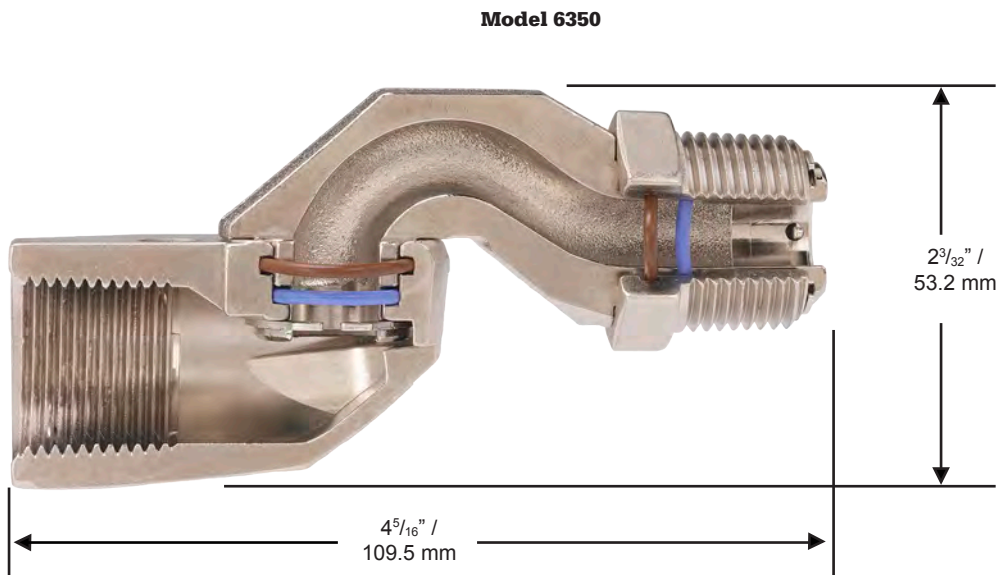
Model No.	Size	Thread	Type	Shipping Wt. Lbs/Kg
6350	3/4" M x 3/4"	NPTF	Multi-Plane Swivel	.44/.19



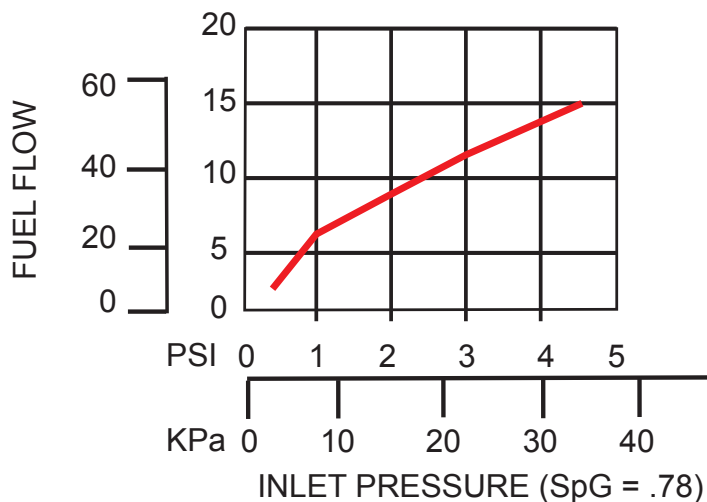
 WARNING: Cancer and Reproductive Harm - [www.P65Warnings.ca.gov](http://www.P65Warnings.ca.gov)

## Husky Model 6350 Multi-Plane Swivel.

### Dimensions



### Flow Charts



2325 Husky Way • Pacific, MO 63069  
 (800) 325-3558 • Fax (636) 825-7300  
[www.husky.com](http://www.husky.com) • [sales@husky.com](mailto:sales@husky.com)

MADE IN THE U.S.A.



GENERAL FUELING PRODUCTS

**Safe-T-Breaks®**

**All Husky® Safe-T-Breaks® stop the flow of fuel on both sides of the separation and have passed the demanding UL test requirements on separations without leaking or failing.**

### Models 003360 & 003385

- Retains UL listing after reconnection.
- Features a pre-loaded spring and a single turn wave spring that enables valve to resist sudden pressure build-up in the hose causing nuisance separations.
- Separates using ball bearings and latch ring at less than 200 lbf / 889.6 N which minimizes “backlash” force of separation, reducing damage to equipment.

### Model 005230

- Retains UL listing after reconnection.
- Uses the same pre-loaded spring and a single turn wave spring as Model 003360.
- Separates using ball bearings and latch ring at less than 115 lbf / 511.5 N.

### Model 002273 & 002774

- Light-weight, inexpensive and disposable.
- Same instant-closing dual poppet check valve design as Model 003360.
- Separates using shear pins at less than 300 lbf / 1334.4 N.

### Model 006130

Internal Pressure Compensating Chamber (PCC) that prevents “line shock” nuisance separations.

- Same instant-closing dual poppet check valve as Model 003360.
- Separates using shear pins at less than 225 lbf / 1000.8 N.

### Models 015130 & 015349

Internal Pressure Compensating Chamber (PCC) that prevents “line shock” nuisance separations.

- Same instant-closing dual poppet check valve as Model 002276.
- Features a pre-loaded spring and a single turn wave spring that enables valve to resist fatigue from repeated hose stretching.
- Separates using ball bearings and latch ring at less than 250 lbf / 1,112.1 N.

### Reconnectable with NPT

MODEL NO.	DESCRIPTION	SHIPPING WEIGHT LBS (KG)
003360**	¾" F x ¾" F Reconnectable Safe-T-Break® with scuff guard	0.59 (0.26)
005230**	¾" F x ¾" F Reconnectable Low-Pull Safe-T-Break® with scuff guard	0.59 (0.26)

### Non-reconnectable with NPT

MODEL NO.	DESCRIPTION	SHIPPING WEIGHT LBS (KG)
002273	¾" F x ¾" F Non-Reconnectable Safe-T-Break®	0.78 (0.35)
006130**	¾" F x ¾" F PCC Non-Reconnectable Safe-T-Break® with scuff guard	0.52 (0.23)
015130**	¾" F x ¾" F LH PCC Non-Reconnectable Safe-T-Break® with scuff guard	0.52 (0.23)

### Reconnectable with BSP

MODEL NO.	DESCRIPTION	SHIPPING WEIGHT LBS (KG)
003385**	¾" F x ¾" F Reconnectable Safe-T-Break® with scuff guard	0.57 (0.25)

### Non-reconnectable with BSP

MODEL NO.	DESCRIPTION	SHIPPING WEIGHT LBS (KG)
002774	¾" F x ¾" F Non-Reconnectable Safe-T-Break®	0.73 (0.33)
002774A*	¾" F x ¾" F Non-Reconnectable Safe-T-Break® - Atex	0.73 (0.33)
015349**	¾" F x ¾" F LH PCC Non-Reconnectable Safe-T-Break®	0.52 (0.23)

\*\*See page 2 for guard color options

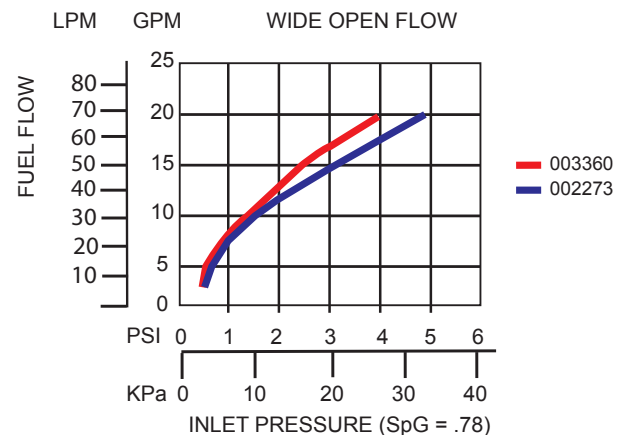
### Construction

#### RECONNECTABLE SAFE-T-BREAKS®

Body	Aluminum
Seals	Fluorocarbon
Springs	Stainless Steel Stainless steel load and latch spring reverse mechanism Hardened stainless steel latch ring and balls

#### NON-RECONNECTABLE SAFE-T-BREAKS®

Body	Zinc Alloys and Aluminum
------	--------------------------



Model 003360



Model 002273



Model 006130



0518  
II 1 G  
EN 13617-2

WARNING: Cancer and Reproductive Harm - www.P65Warnings.ca.gov

All Husky® Safe-T-Breaks® stop the flow of fuel on both sides of the separation and have passed the demanding UL test requirements on separations without leaking or failing.

## Dimensions and System Options

### Guards

MODEL NO.	DESCRIPTION
003096**	Scuff Guard for Model #003360, 006130 and 005230
006503**	Dispenser Scuff Guard for Model #002273 and 002774
003098	Scuff Guard for Model #015130 & 015349

### Accessories, Testing and Maintenance

MODEL NO.	DESCRIPTION
007000	Safe-T-Break® Drain Cup
003813	Safe-T-Break® Demonstration Kit

### Color Chart

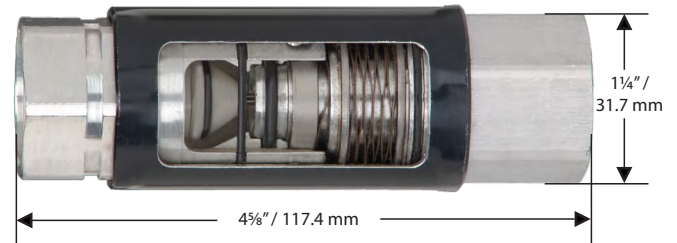
COLOR	SUFFIX	COLOR	SUFFIX
Blue	-01	White	-06
Red	-02	Gold	-08
Green	-03	Silver	-09
Black	-04	BP Green	-16
Yellow	-05	Pink	-20

\*\*Safe-T-Breaks® and Safe-T-Break® Scuff Guards are to be ordered with the corresponding guard color option added to the model number.

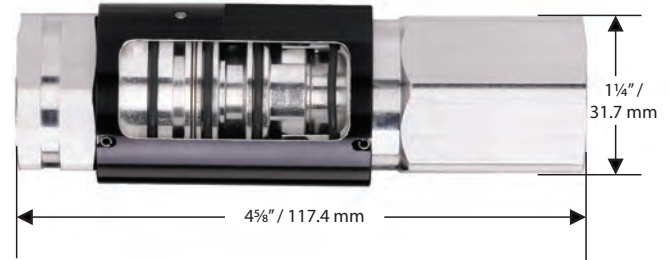
Example: If BLUE guards are desired, add guard color option -01 to the model number (004034-01).

For custom colors, a minimum order of 4,000 guards will be required.

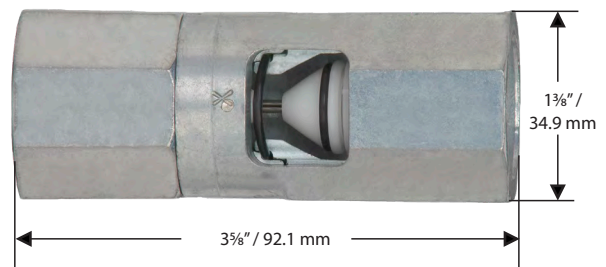
Model 003360



Model 006130



Model 002273



**All Husky® Safe-T-Breaks® stop the flow of fuel on both sides of the separation and have passed the demanding UL test requirements on separations without leaking or failing.**

### G2 Magbreak®

- Low scuff, High impact resistant polymer housing
- 15% Smaller housing diameter
- Available in 3/4" Female NPT or BSP threads
- 40% Lighter than Original Magbreak®
- Separates at less than 200 pounds (889 N) pull force
- Can be separated using two flathead screwdrivers allowing for easier maintenance on hanging hardware
- Assurance of proper reconnection using a simple "Twist to Lock" feature
- Line shock absorbing design
- Retains UL listing after reconnection

### Magbreak®

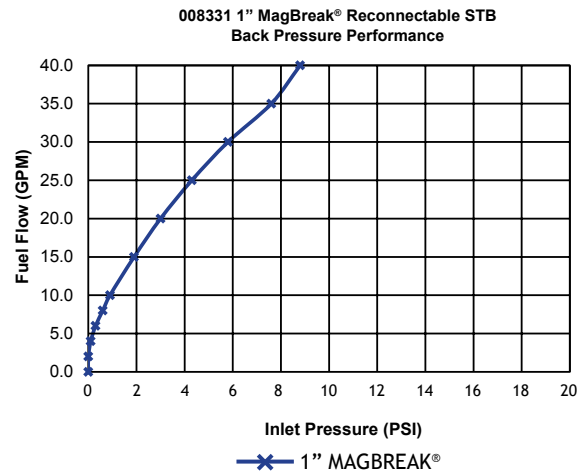
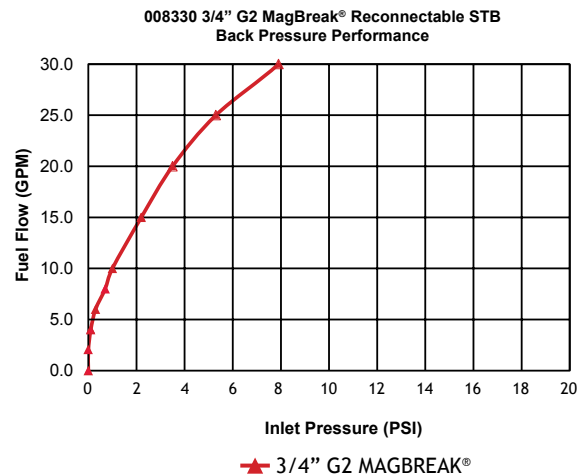
- Low scuff, High impact resistant polymer housing
- Available in 3/4" or 1" Female NPT or BSP threads
- Lighter than competing magnetic breakaways
- Separates at less than 225 pounds (1,000 N) pull force
- Can be separated using two flathead screwdrivers allowing for easier maintenance on hanging hardware
- Assurance of proper reconnection using a simple "Twist to Lock" feature
- Line shock absorbing design
- Retains UL listing after reconnection

### G2 Magbreak®

MODEL NO.	DESCRIPTION	SHIPPING WEIGHT LBS (KG)
008330	G2 Magbreak ® 3/4" F NPT(separates at less than 200 pounds pull force)	.72 (.32)
009910	G2 Magbreak ® 3/4" F BSP(separates at less than 200 pounds pull force)	.72 (.32)

### Magbreak®

MODEL NO.	DESCRIPTION	SHIPPING WEIGHT LBS (KG)
008331	Magbreak ® 1" F NPT CK(separates at less than 225 pounds pull force)	1.09 (.50)
009911	G2 Magbreak ® 1" F BSP(separates at less than 200 pounds pull force)	1.09 (.50)
010328	Magbreak ® 3/4" F NPT CK(separates at less than 225 pounds pull force)	1.21 (.55)



WARNING: Cancer and Reproductive Harm - www.P65Warnings.ca.gov





# Magbreak® STB

All Husky® Safe-T-Breaks® stop the flow of fuel on both sides of the separation and have passed the demanding UL test requirements on separations without leaking or failing.

## Dimensions

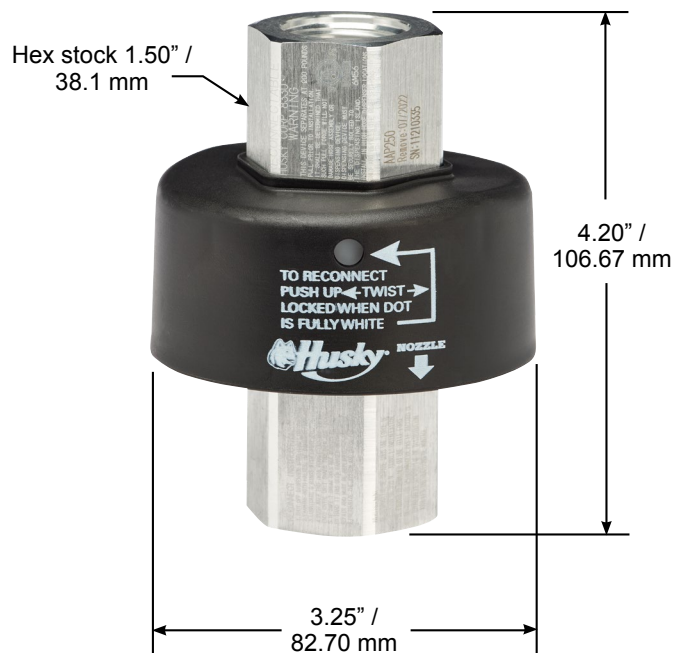
### Replacement Parts

MODEL NO.	DESCRIPTION
008630	MAGBREAK LOWER HALF 008330
008631	MAGBREAK LOWER HALF 008331

**G2  
Magbreak®**



**Magbreak®**



2325 Husky Way • Pacific, MO 63069  
 (800) 325-3558 • Fax (636) 825-7300  
[www.husky.com](http://www.husky.com) • [sales@husky.com](mailto:sales@husky.com)

MADE IN THE U.S.A.

**All Husky® Safe-T-Breaks® stop the flow of fuel on both sides of the separation and have passed the demanding UL test requirements on separations without leaking or failing.**

### Models 003360 & 003385

- Retains UL listing after reconnection.
  - Features a pre-loaded spring and a single turn wave spring that enables valve to resist sudden pressure build-up in the hose causing nuisance separations.
  - Separates at less than 200 lbf / 889.6 N which minimizes “backlash” force of separation, reducing damage to equipment.
- Model 005230**
- Retains UL listing after reconnection.
  - Uses the same pre-loaded spring and a single turn wave spring as Model 003360.
  - Separates at less than 115 lbf / 511.5 N.

### Model 002273 & 002774

- Light-weight, inexpensive and disposable.
- Same instant-closing dual poppet check valve design as Model 003360.
- Separates at less than 300 lbf / 1334.4 N.

### Model 006130

- Internal Pressure Compensating Chamber (PCC) that prevents “line shock” nuisance separations.
- Same instant-closing dual poppet check valve as Model 003360.
- Separates at less than 225 lbf / 1000.8 N.

### Reconnectable with NPT

MODEL NO.	DESCRIPTION	SHIPPING WEIGHT LBS (KG)
003360**	¾" F x ¾" F Reconnectable Safe-T-Break® with scuff guard	0.59 (0.26)
005230**	¾" F x ¾" F Reconnectable Low-Pull Safe-T-Break® with scuff guard	0.59 (0.26)
03360R	¾" F x ¾" F Reconnectable Safe-T-Break® With Scuff Guard For Retail	0.59 (0.26)

### Non-reconnectable with NPT

MODEL NO.	DESCRIPTION	SHIPPING WEIGHT LBS (KG)
002273	¾" F x ¾" F Non-Reconnectable Safe-T-Break®	0.78 (0.35)
006130**	¾" F x ¾" F PCC Non-Reconnectable Safe-T-Break® with scuff guard	0.52 (0.23)
002273R	¾" F x ¾" F Non-Reconnectable Safe-T-Break® For Retail	0.52 (0.23)

### Reconnectable with BSPP

MODEL NO.	DESCRIPTION	SHIPPING WEIGHT LBS (KG)
003385**	¾" F x ¾" F Reconnectable Safe-T-Break® with scuff guard	0.57 (0.25)

### Non-reconnectable with BSPP

MODEL NO.	DESCRIPTION	SHIPPING WEIGHT LBS (KG)
002274	¾" F x ¾" F Non-Reconnectable Safe-T-Break®	0.73 (0.33)
002774A*	¾" F x ¾" F Non-Reconnectable Safe-T-Break® - Atex	0.73 (0.33)

\*\*See page 2 for guard color options



**Model 003600**



**Model 006130**

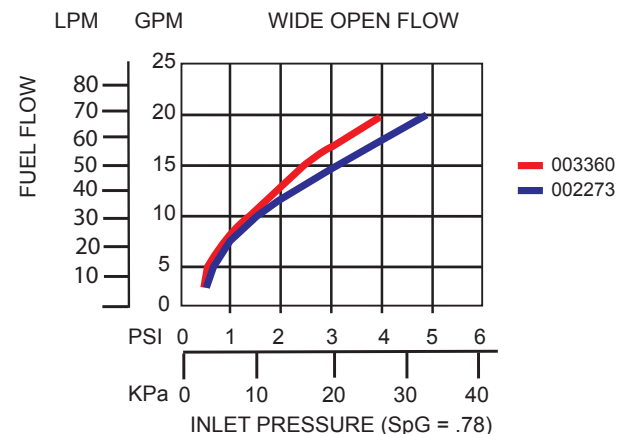


**Model 002273**

### Construction

#### RECONNECTABLE SAFE-T-BREAKS®

Body	Aluminum
Seals	Fluorocarbon
Springs	Stainless Steel



0518  
II 1 G  
EN 13617-2

WARNING: Cancer and Reproductive Harm - www.P65Warnings.ca.gov



All Husky® Safe-T-Breaks® stop the flow of fuel on both sides of the separation and have passed the demanding UL test requirements on separations without leaking or failing.

## Dimensions and System Options

### Guards

MODEL NO.	DESCRIPTION
003096**	Scuff Guard for Model 003360, 006130 and 005230
006503**	Dispenser Scuff Guard for Model 002273 and 002774

### Accessories, Testing and Maintenance

MODEL NO.	DESCRIPTION
007000	Safe-T-Break® Drain Cup
003813	Safe-T-Break® Demonstration Kit

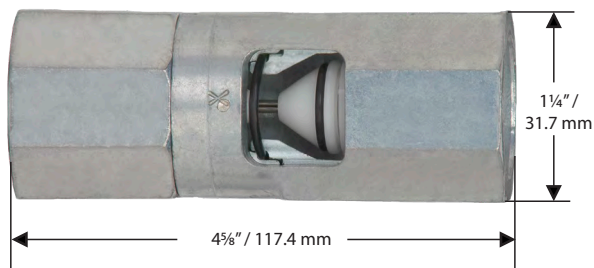
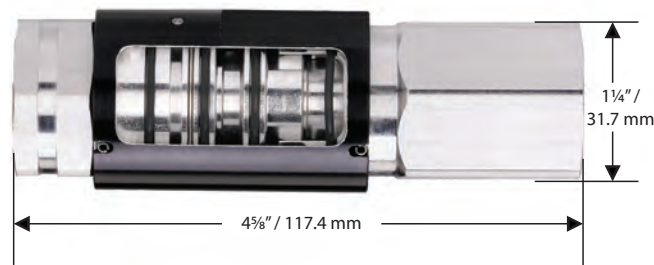
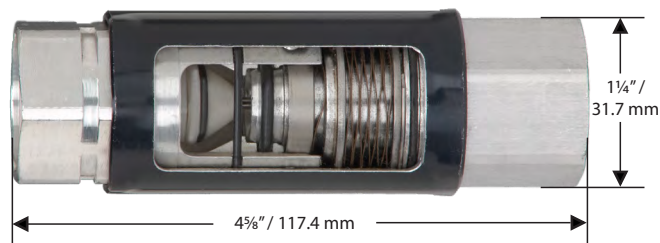
### Color Chart

COLOR	SUFFIX	COLOR	SUFFIX
Blue	-01	White	-06
Red	-02	Gold	-08
Green	-03	Silver	-09
Black	-04	BP Green	-16
Yellow	-05	Pink	-20

\*\*Safe-T-Breaks® and Safe-T-Break® Scuff Guards are to be ordered with the corresponding guard color option added to the model number.

Example: If BLUE guards are desired, add guard color option -01 to the model number (004034-01).

For custom colors, a minimum order of 4,000 guards will be required.



2325 Husky Way • Pacific, MO 63069  
 (800) 325-3558 • Fax (636) 825-7300  
[www.husky.com](http://www.husky.com) • [sales@husky.com](mailto:sales@husky.com)

MADE IN THE U.S.A.

# F&C High Volume STB



10-4

SAFE-T-BREAKS®

**All Husky® Safe-T-Breaks® stop the flow of fuel on both sides of the separation and have passed the demanding UL test requirements on separations without leaking or failing**

**Models 002276, 003076 & 003076A**

- Retains UL listing after reconnection.
- Internal pressure balancing chamber prevents “line shock” nuisance separations.
- Separates using ball bearings and latch ring at less than 200 lbf / 889.6 N which minimizes “backlash” force of separation, reducing damage to equipment.

**Model 005231**

- Retains UL listing after reconnection.
- Uses the same internal pressure balancing chamber as Model 002276.
- Separates using ball bearings and latch ring at less than 115 lbf / 511.5 N.

**Model 005812 & 006914**

- Light-weight, inexpensive and disposable.
- Same instant-closing dual poppet check valve design as Model 002276.
- Separates using shear pins between 300 lbf/ 1334.5 N to 350 lbf/ 1556.9 N.

**Model 006301**

- Internal Pressure Compensating Chamber (PCC) that prevents “line shock” nuisance separations.
- Same instant-closing dual poppet check valve as Model 002276.
- Separates using shear pins at less than 225 lbf / 1000.8 N.

**Reconnectable with NPT**

MODEL NO.	DESCRIPTION	SHIPPING WEIGHT LBS (KG)
002276	1" F x 1" F Reconnectable Safe-T-Break®	.75 (.34)
005231	1" F x 1" F Reconnectable Low-Pull Safe-T-Break®	.75 (.34)
002276R	1" F x 1" F Reconnectable Safe-T-Break®	.75 (.34)

**Non-reconnectable with NPT**

MODEL NO.	DESCRIPTION	SHIPPING WEIGHT LBS (KG)
005812	1" F x 1" F Non-Reconnectable Safe-T-Break®	.61 (.27)
006301	1" F x 1" F PCC Non-Reconnectable Safe-T-Break®	.69 (.31)
005812R	1" F x 1" F Non-Reconnectable Safe-T-Break®	.69 (.31)

**Reconnectable with BSPP**

MODEL NO.	DESCRIPTION	SHIPPING WEIGHT LBS (KG)
003076	1" F x 1" F Reconnectable Safe-T-Break®	.75 (.34)
003076A*	1" F x 1" F Reconnectable Safe-T-Break® - Atex	.75 (.34)

**Non-reconnectable with BSPP**

MODEL NO.	DESCRIPTION	SHIPPING WEIGHT LBS (KG)
006914	1" F x 1" F Non-Reconnectable Safe-T-Break®	.61 (.27)

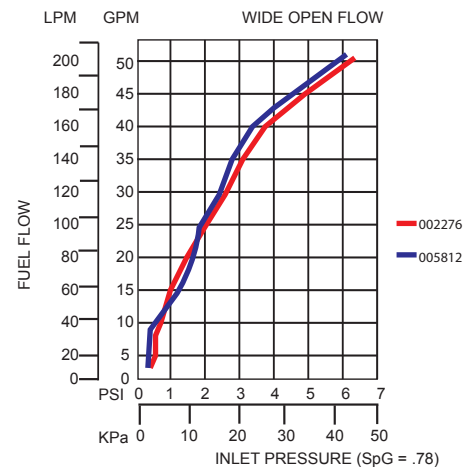
**Construction**

Reconnectable Safe-T-Breaks®	
Body	Aluminum
Seals	Fluorocarbon
Springs	Stainless Steel
	Stainless steel load and latch spring reverse mechanism
	Hardened stainless steel latch ring and balls
Non-Reconnectable Safe-T-Breaks®	
Body	Aluminum

**Model 002276**



**Model 005812**



**WARNING:** Cancer and Reproductive Harm - www.P65Warnings.ca.gov



# F&C High Volume **STB**

HIGH VOLUME FUELING

All Husky® Safe-T-Breaks® stop the flow of fuel on both sides of the separation and have passed the demanding UL test requirements on separations without leaking or failing.

## Dimensions and System Options

### Guards

MODEL NO.	DESCRIPTION
003098**	Safe-T-Break® Scuff Guard

### Accessories, Maintenance, and Testing

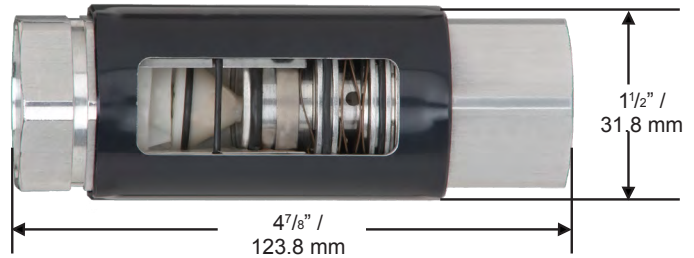
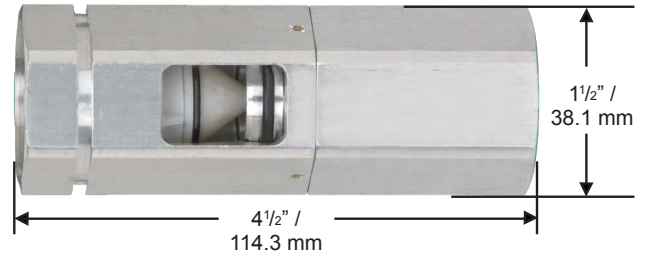
Model No.	Description
007000	Safe-T-Break® Drain Cup
003813	Safe-T-Break® Demonstration Kit

### Color Chart

COLOR SUFFIX	SUFFIX	COLOR	
Blue	-01	White	-06
Red	-02	Gold	-08
Green	-03	Silver	-09
Black	-04	BP Green	-16
Yellow	-05	Pink	-20

\*\*Safe-T-Breaks® and Safe-T-Break® Scuff Guards are to be ordered with the corresponding guard color option added to the model number.  
 Example: If BLUE guards are desired, add guard color option -01 to the model number (004034-01).

For custom colors, a minimum order of 4,000 guards will be required.



2325 Husky Way • Pacific, MO 63069  
 (800) 325-3558 • Fax (636) 825-7300  
[www.husky.com](http://www.husky.com) • [sales@husky.com](mailto:sales@husky.com)

MADE IN THE U.S.A.

# DEF Safe-T-Break®



Stop the flow of fluid on both sides of the separation.

### Model 007219

- Non-reconnectable Safe-T-Break®
- Low profile design.
- Thread sealant not required with BSPP threads.
- 100% DEF compatible parts.
- Instant-closing, dual poppet check valve design.
- Maximum separation of 300 lbf / 1334.5 N.
- Comes standard with guard.

### Model 012070

- Reconnectable Safe-T-Break®
- Maximum separation of 200 lbf / 889.6 N.
- 100% DEF compatible parts.
- Instant-closing, dual poppet check valve design.
- Comes standard with guard.
- DEF compatible thread sealant required for 3/4" NPT threads.

### Safe-T-Breaks®

MODEL NO.	DESCRIPTION	SHIPPING WEIGHT LBS (KG)
007219	1" M x 1" M Stainless Steel Non-Reconnectable Safe-T-Break®	0.90 (.40)
008216	1" M x 1" M Stainless Steel Reconnectable Safe-T-Break®	0.94 (.43)
012070^	3/4" F x 3/4" F NPT Reconnectable Safe-T-Break®	0.54 (.20)
012659^	3/4" F x 3/4" F BSPP Reconnectable Safe-T-Break®	.54 (.20)

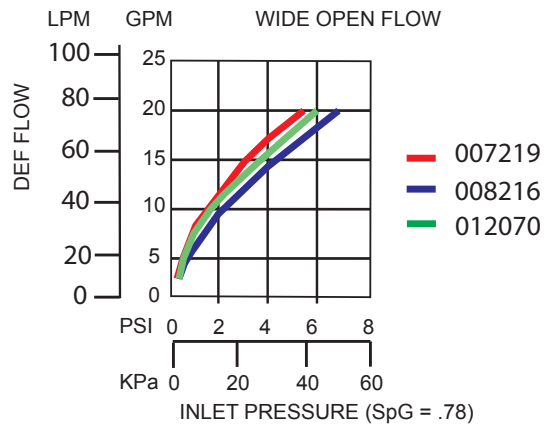
^ NOT LISTED

### Construction

Body	Stainless Steel, 012070 - Anodized Aluminum
Seals	Fluorocarbon
Inlet	1" / 25.4 mm BSPP, 012070 - 3/4" / 19.1 mm NPT

### Model 008216

- Reconnectable Safe-T-Break®
- Maximum separation of 200 lbf / 889.6 N.
- 100% DEF compatible parts.
- Thread sealant not required with BSPP threads.
- Instant-closing, dual poppet check valve design.
- Comes standard with guard.



Model 008216

Model 012070/012659

Model 007219



WARNING: Cancer and Reproductive Harm - www.P65Warnings.ca.gov



Stop the flow of fluid on both sides of the separation.

## Dimensions and System Options

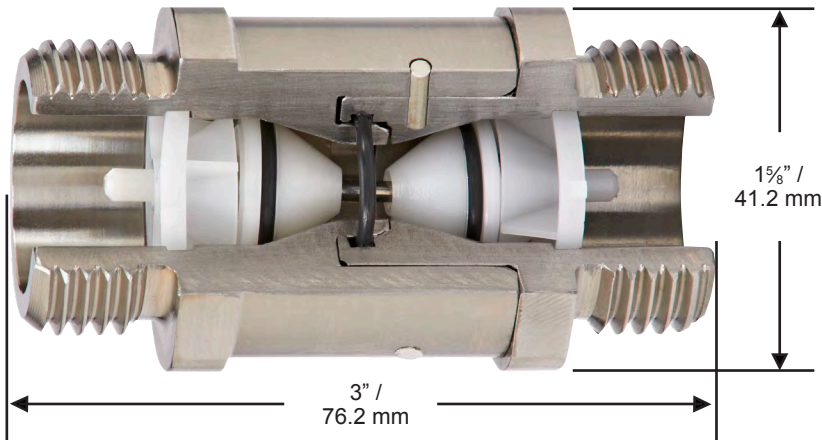
### Guards

MODEL NO.	DESCRIPTION
007224	Black Scuff Guard
006534	Dispenser Scuff Guard
003097	Scuff Guard

### Accessories, Testing and Maintenance

MODEL NO.	DESCRIPTION
007407	1" BSPP Seal Kit Assembly

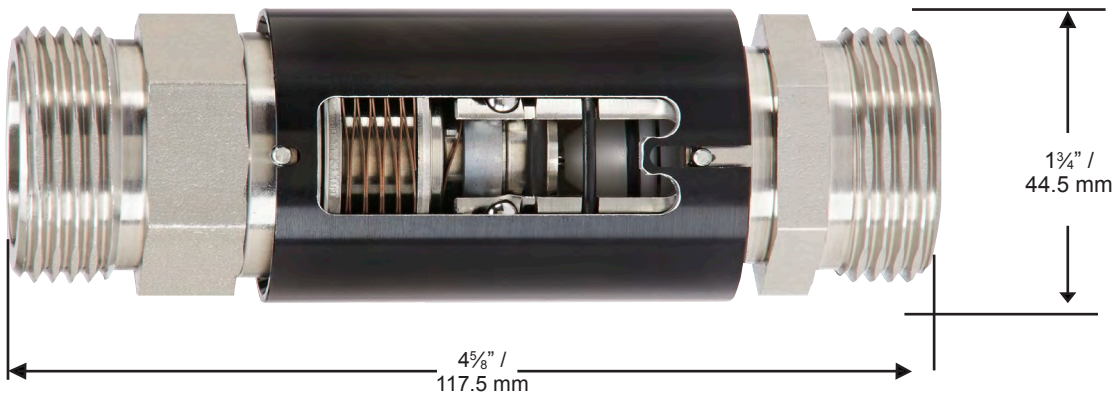
Model 007219



Model 012070/012659



Model 008216



2325 Husky Way • Pacific, MO 63069  
 (800) 325-3558 • Fax (636) 825-7300  
[www.husky.com](http://www.husky.com) • [sales@husky.com](mailto:sales@husky.com)

MADE IN THE U.S.A.

**All Husky® Safe-T-Breaks® stop the flow of fuel on both sides of the separation and have passed the demanding UL test requirements on separations without leaking or failing.**

**Models 002276, 003076 & 003076A**

- Retains UL listing after reconnection.
- Internal pressure balancing chamber prevents “line shock” nuisance separations.
- Separates at less than 200 lbf / 889.6 N which minimizes “backlash” force of separation, reducing damage to equipment.

**Model 005231**

- Retains UL listing after reconnection.
- Uses the same internal pressure balancing chamber as Model 002276.
- Separates at less than 115 lbf / 511.5 N.

**Model 005812 & 006914**

- Light-weight, inexpensive and disposable.
- Same instant-closing dual poppet check valve design as Model 002276.
- Separates at less than 300 lbf / 1334.4 N.

**Model 006301**

- Internal Pressure Compensating Chamber (PCC) that prevents “line shock” nuisance separations.
- Same instant-closing dual poppet check valve as Model 002276.
- Separates at less than 225 lbf / 1000.8 N.

**Models 015176 & 015254**

- Internal Pressure Compensating Chamber (PCC) that prevents “line shock” nuisance separations.
- Same instant-closing dual poppet check valve as Model 002276.
- Features a pre-loaded spring and a single turn wave spring that enables valve to resist fatigue from repeated hose stretching.
- Separates using ball bearings and latch ring at less than 250 lbf / 1,112.1 N.

**Reconnectable with NPT**

MODEL NO.	DESCRIPTION	SHIPPING WEIGHT LBS (KG)
002276	1" F x 1" F Reconnectable Safe-T-Break®	.75 (.34)
005231	1" F x 1" F Reconnectable Low-Pull Safe-T-Break®	.75 (.34)

**Non-reconnectable with NPT**

MODEL NO.	DESCRIPTION	SHIPPING WEIGHT LBS (KG)
005812	1" F x 1" F Non-Reconnectable Safe-T-Break®	.61 (.27)
006301	1" F x 1" F PCC Non-Reconnectable Safe-T-Break®	.69 (.31)
015176	1" F x 1" F Super STB 1" Non-Reconnectable	.75 (.34)

**Reconnectable with BSPP**

MODEL NO.	DESCRIPTION	SHIPPING WEIGHT LBS (KG)
003076	1" F x 1" F Reconnectable Safe-T-Break®	.75 (.34)
003076A	1" F x 1" F Reconnectable Safe-T-Break® - Atex	.75 (.34)

**Non-reconnectable with BSPP**

MODEL NO.	DESCRIPTION	SHIPPING WEIGHT LBS (KG)
006914	1" F x 1" F Non-Reconnectable Safe-T-Break®	.61 (.27)
015254	1" F x 1" F Super STB 1" Non-Reconnectable	.75 (.34)

**Construction**

**Reconnectable Safe-T-Breaks®**

Body	Aluminum
Seals	Fluorocarbon
Springs	Stainless Steel
	Stainless steel load and latch spring reverse mechanism
	Hardened stainless steel latch ring and balls

**Non-Reconnectable Safe-T-Breaks®**

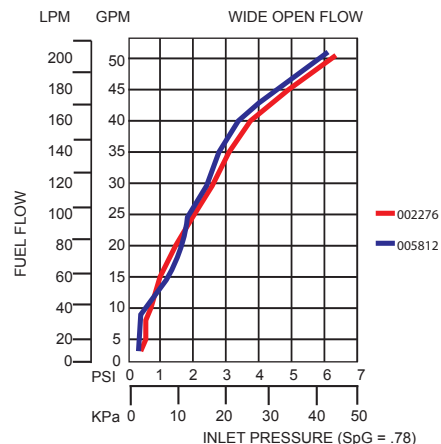
Body	Aluminum
------	----------



**Model 002276**



**Model 005812**



**WARNING:** Cancer and Reproductive Harm - www.P65Warnings.ca.gov



# High Volume STB

All Husky® Safe-T-Breaks® stop the flow of fuel on both sides of the separation and have passed the demanding UL test requirements on separations without leaking or failing.

## Dimensions and System Options

### Guards

MODEL NO.	DESCRIPTION
003098**	Safe-T-Break® Scuff Guard

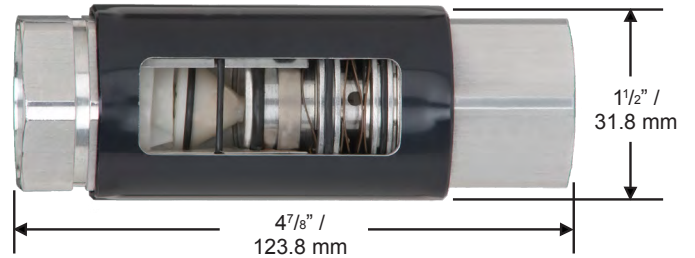
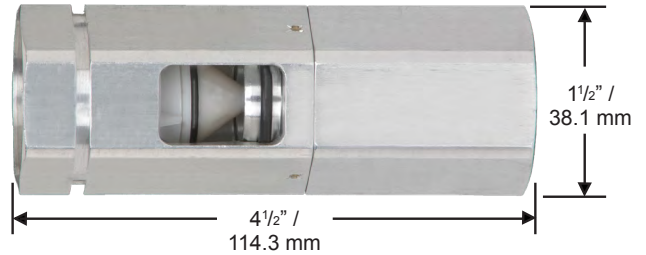
### Accessories, Maintenance, and Testing

MODEL NO.	DESCRIPTION
007000	Safe-T-Break® Drain Cup
003813	Safe-T-Break® Demonstration Kit

### Color Chart

COLOR SUFFIX	SUFFIX	COLOR	COLOR SUFFIX
Blue	-01	White	-06
Red	-02	Gold	-08
Green	-03	Silver	-09
Black	-04	BP Green	-16
Yellow	-05	Pink	-20

\*\*Safe-T-Breaks® and Safe-T-Break® Scuff Guards are to be ordered with the corresponding guard color option added to the model number.  
 Example: If BLUE guards are desired, add guard color option -01 to the model number (004034-01).  
 For custom colors, a minimum order of 4,000 guards will be required.



2325 Husky Way • Pacific, MO 63069  
 (800) 325-3558 • Fax (636) 825-7300  
[www.husky.com](http://www.husky.com) • [sales@husky.com](mailto:sales@husky.com)

MADE IN THE U.S.A.

**All Husky® Safe-T-Breaks® stop the flow of fuel on both sides of the separation and have passed the demanding UL test requirements on separations without leaking or failing.**

**Model 3360VR**

- Reconnectable Safe-T-Break® for balance vapor recovery systems - coaxial hoses with fuel on the “inside”, vapor return on the “outside”.
- Unique in-line latching mechanism requires less force to reconnect Safe-T-Break® after a separation.
- Unique vapor valve stops vapors from escaping after a drive away.
- Separates at less than 200 lbf / 889.6 N to minimize backlash damage.
- Patented wave spring design minimizes nuisance breaks.

**Model 005900**

- Non-reconnectable Safe-T-Break® for balance vapor recovery systems - coaxial hoses with fuel on the “inside”, vapor return on the “outside”.
- Internal pressure compensating chamber isolates shear pin from line shock preventing nuisance breaks.
- Separates at less than 250 lbf / 1112.1 N to minimize backlash damage.
- Same built-in vapor valve as Model 3360VR.

**Reconnectable**

MODEL NO.	DESCRIPTION	SHIPPING WEIGHT LBS (KG)
3360VR**	Reconnectable Safe-T-Break®	1.3 (.5)

**Non-reconnectable**

MODEL NO.	DESCRIPTION	SHIPPING WEIGHT LBS (KG)
005900**	Non-Reconnectable Safe-T-Break®	1.2 (.5)

\*\*See page 2 for guard color options

**Construction**

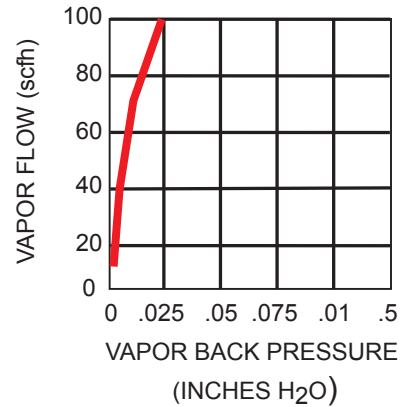
Body	Aluminum
Seals	Fluorocarbon
Springs	Stainless Steel
Threads	1 7/8" x 12
Stainless steel load and latch spring reverse mechanism	
Hardened stainless steel latch ring and balls	



**Model 3600VR**



**Model 005900**



California Environmental Protection Agency  
**AIR RESOURCES BOARD**



Texas Commission on  
Environmental Quality



Missouri Department of  
**Natural Resources**

WARNING: Cancer and Reproductive Harm - www.P65Warnings.ca.gov



# Balance Vapor **STB**

All Husky® Safe-T-Breaks® stop the flow of fuel on both sides of the separation and have passed the demanding UL test requirements on separations without leaking or failing.

## Dimensions and System Options

### Guards

MODEL NO.	DESCRIPTION
003990**	Scuff Guard for 3360VR Safe-T-Break®
005895**	Scuff Guard for 005900 Safe-T-Break®

### Accessories, Maintenance, and Testing

MODEL NO.	DESCRIPTION
007000	Safe-T-Break® Drain Cup

### Color Chart

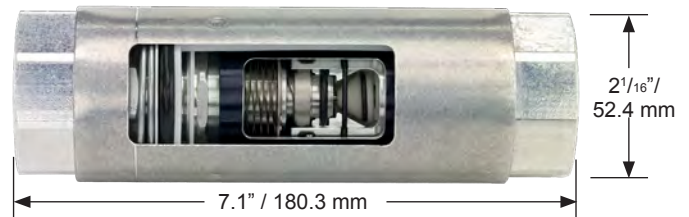
COLOR	SUFFIX	COLOR	SUFFIX
Blue	-01	White	-06
Red	-02	Gold	-08
Green	-03	Silver	-09
Black	-04	BP Green	-16
Yellow	-05	Pink	-20

\*\*Safe-T-Breaks® and Safe-T-Break® Scuff Guards are to be ordered with the corresponding guard color option added to the model number.

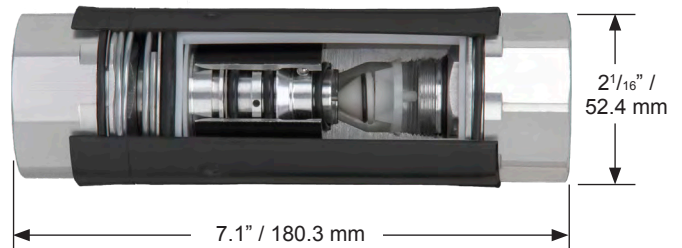
Example: If BLUE guards are desired, add guard color option -01 to the model number (004034-01).

For custom colors, a minimum order of 4,000 guards will be required.

Model 3360VR



Model 005900



2325 Husky Way • Pacific, MO 63069  
 (800) 325-3558 • Fax (636) 825-7300  
[www.husky.com](http://www.husky.com) • [sales@husky.com](mailto:sales@husky.com)

MADE IN THE U.S.A.





**All Husky® Safe-T-Breaks® stop the flow of fuel on both sides of the separation and have passed the demanding UL test requirements on separations without leaking or failing.**

### Model 004034

- Reconnectable Safe-T-Break® for the vapor assist systems: coaxial hoses with fuel “outside” hose, vapor return “inside” hose.
- EVR Certified per CARB CP-201.
- Meets the reconnect endurance test of the UL Standard 567.
- Unique vapor valve stops vapors from escaping after a drive away.
- Separates at less than 200 lbf / 889.6 N to minimize backlash damage.
- Unique pre-loaded shock absorbing wave spring minimizes nuisance breaks.

### Models 004034A/005134A

- Separates between 180-337 lbf / 800-1500 N.

### Model 006560

- Reconnectable Safe-T-Break in the same style and design as the Model 004034 including the same fuel/ vapor paths and separation force.
- 1-1/4” X 18 Threads.

- EVR Certified per CARB CP-201.

### Model 005134

- Non-reconnectable Safe-T-Breaks® in the same style and design as Model 004034, including the same fuel / vapor paths and separation force.
- EVR Certified per CARB CP-201.

### Model 015377

- Non-reconnectable Safe-T-Breaks® in the same style and design as Model 006560, including the same fuel / vapor paths and separation force.
- EVR Certified per CARB CP-201.



Model 004034



Model 005134

## Reconnectable

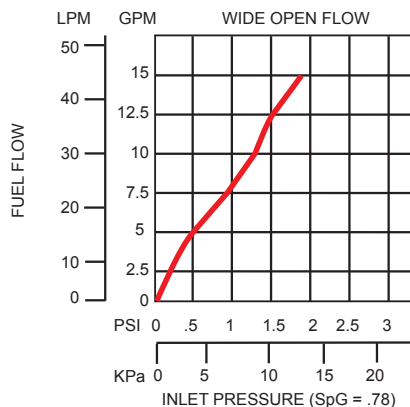
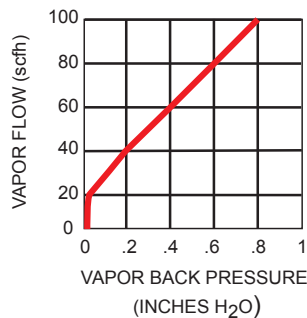
MODEL NO.	DESCRIPTION	SHIPPING WEIGHT LBS (KG)
004034	Reconnectable Safe-T-Break®	1.0 (.45)
004034A*	Reconnectable Safe-T-Break® - Atex	1.0 (.45)
006560	Reconnectable Safe-T-Break® for 1-1/4” THREADS	1.0 (.45)

## Non-reconnectable

MODEL NO.	DESCRIPTION	SHIPPING WEIGHT LBS (KG)
005134	Non-reconnectable Safe-T-Break®	1.0 (.45)
005134A*	Non-reconnectable Safe-T-Break® - Atex	1.0 (.45)
015377	Non-reconnectable Safe-T-Break® 1-1/4”	1.0 (.45)

## Construction

Body	Aluminum
Seals	Fluorocarbon
Springs	Stainless Steel
Springs	Stainless Steel
	Stainless steel load and latch spring reverse mechanism
	Hardened stainless steel latch ring and balls
Threads	004034, 004034A, 005134 and 005134A = M34 x 1.5 006560 and 15377= 1-1/4” x 18



WARNING: Cancer and Reproductive Harm - www.P65Warnings.ca.gov





# Vacuum Assist **STB**

All Husky® Safe-T-Breaks® stop the flow of fuel on both sides of the separation and have passed the demanding UL test requirements on separations without leaking or failing.

## Dimensions and System Options

### Guards

Model No.	Description
003098**	Scuff Guard for 004034, 004034A, 005134, 005134A and 006560 Safe-T-Breaks®

### Color Chart

COLOR	SUFFIX	COLOR	SUFFIX
Blue	-01	White	-06
Red	-02	Gold	-08
Green	-03	Silver	-09
Black	-04	BP Green	-16
Yellow	-05	Pink	-20

\*\*Safe-T-Breaks® and Safe-T-Break® Scuff Guards are to be ordered with the corresponding guard color option added to the model number.

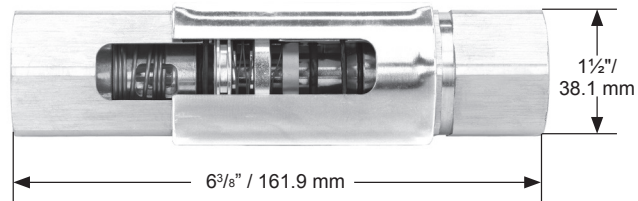
Example: If BLUE guards are desired, add guard color option -01 to the model number (004034-01).

For custom colors, a minimum order of 4,000 guards will be required.

Model 004034



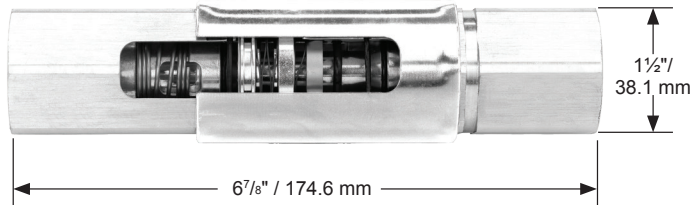
Model 005134



Model 006560



Model 015377



2325 Husky Way • Pacific, MO 63069  
 (800) 325-3558 • Fax (636) 825-7300  
[www.husky.com](http://www.husky.com) • [sales@husky.com](mailto:sales@husky.com)

MADE IN THE U.S.A.

# E85 Safe-T-Breaks®



All Husky® Safe-T-Breaks® stop the flow of fuel on both sides of the separation.

- Compatible with unleaded, diesel and all Ethanol blends through E85.
- Unit is lightweight, inexpensive and disposable.
- Features same instant closing dual poppet check valve design as Model 006360.
- Maximum separation of 300 lbf / 1334.5 N.



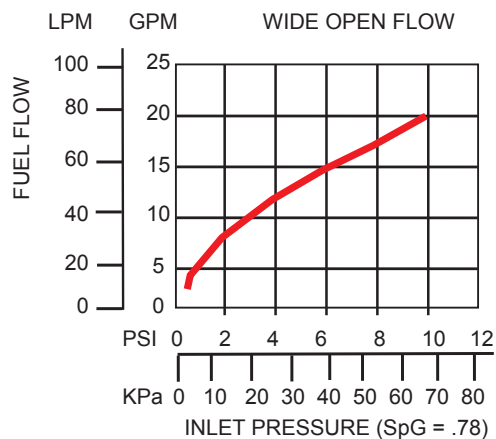
Model 006273

## E85 Safe-T-Breaks®

MODEL NO.	DESCRIPTION	SHIPPING WEIGHT LBS (KG)
006273	¾" F x ¾" F Standard Non-Reconnectable Safe-T-Break®	.30 (.13)

## Construction

Body	Aluminum with Electroless Nickel Plating
Seals	Fluorocarbon and Fluorosilicone
Springs	Stainless Steel
Threads	¾" / 19.1 mm NPT



⚠ WARNING: Cancer and Reproductive Harm - [www.P65Warnings.ca.gov](http://www.P65Warnings.ca.gov)



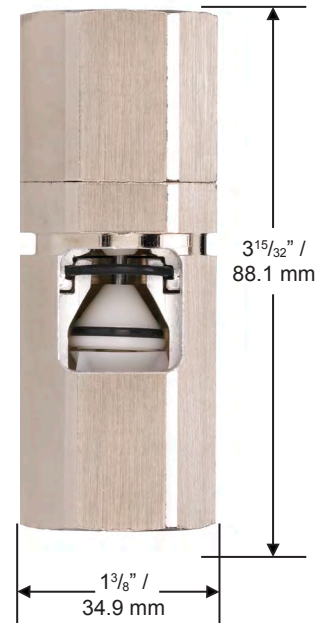
All Husky® Safe-T-Breaks® stop the flow of fuel on both sides of the separation.

## Dimensions and System Options

### Accessories, Testing and Maintenance

MODEL NO.	DESCRIPTION
007000	Safe-T-Break® Drain Cup
003813	Safe-T-Break® Demonstration Kit

Model 006273



2325 Husky Way • Pacific, MO 63069  
 (800) 325-3558 • Fax (636) 825-7300  
[www.husky.com](http://www.husky.com) • [sales@husky.com](mailto:sales@husky.com)

MADE IN THE U.S.A.

**All Husky® Safe-T-Breaks® stop the flow of fuel on both sides of the separation and have passed the demanding UL test requirements on separations without leaking or failing.**

- EVR Certified per CARB CP-201.
- High impact resistant polymer housing.
- Two straight screwdrivers used to separate. For easier install and maintenance on other hanging hardware.
- Assurance of proper reconnection using a simple “twist of lock” feature.
- Low scuff housing.
- Stops flow on both sides of break.
- Reconnectable Safe-T-Break® for the vapor assist systems: coaxial hoses with fuel “outside” hose, vapor return “inside” hose.
- Unique vapor valve stops vapors from escaping after a drive away.
- Separates at less than 225 lbs / 1000.9 N to minimize backlash damage.

### Vac Assist MAGBREAK®

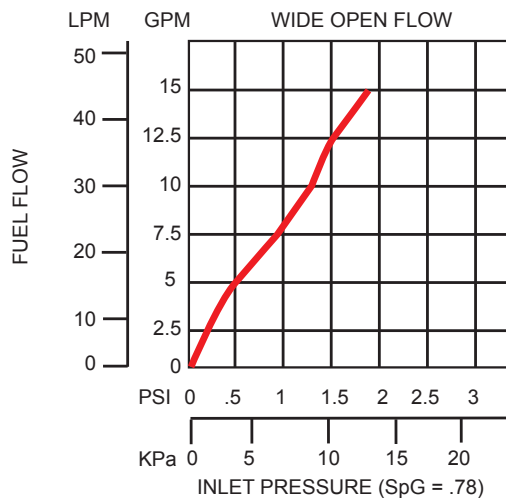
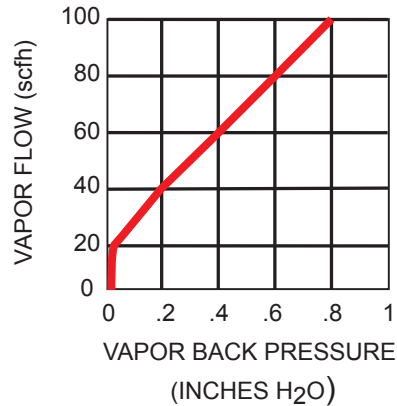
MODEL NO.	DESCRIPTION	SHIPPING WEIGHT LBS (KG)
008332	MAGBREAK® Coax M34 CK	1.36 (.62)
014592	MAGBREAK® Coax 1.25	1.36 (.62)

### Construction

Body	Aluminum
Seals	Fluorocarbon
Springs	Stainless Steel
Threads	8332 = M34 x 1.5 and 14592 = 1-1/4" x 18



**VAC ASSIST MAGBREAK®**



**WARNING:** Cancer and Reproductive Harm - [www.P65Warnings.ca.gov](http://www.P65Warnings.ca.gov)

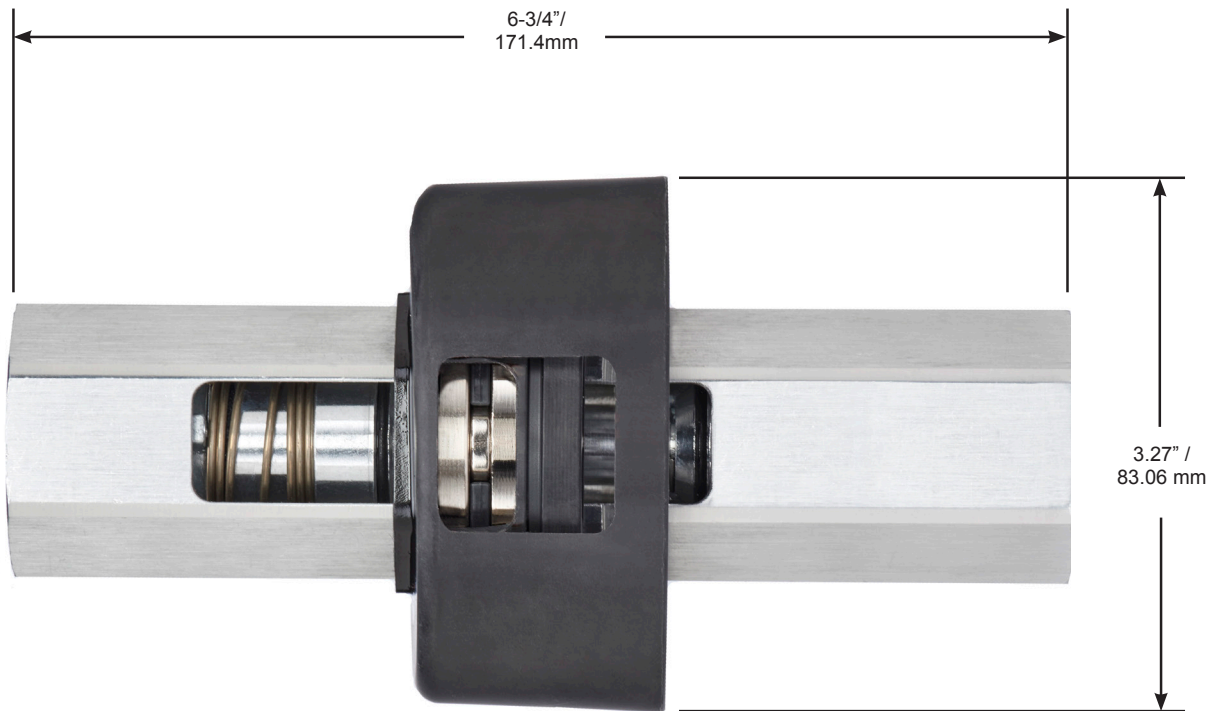


All Husky® Safe-T-Breaks® stop the flow of fuel on both sides of the separation and have passed the demanding UL test requirements on separations without leaking or failing.

## Dimensions

### Replacement Parts

MODEL NO.	DESCRIPTION
008632	MAGBREAK LOWER HALF 008332
015416	MAGBREAK LOWER HALF 014592



2325 Husky Way • Pacific, MO 63069  
 (800) 325-3558 • Fax (636) 825-7300  
[www.husky.com](http://www.husky.com) • [sales@husky.com](mailto:sales@husky.com)

MADE IN THE U.S.A.

# E25 Safe-T-Breaks®



10-11

SAFE-T-BREAKS®

All Husky® Safe-T-Breaks® stop the flow of fuel on both sides of the separation.

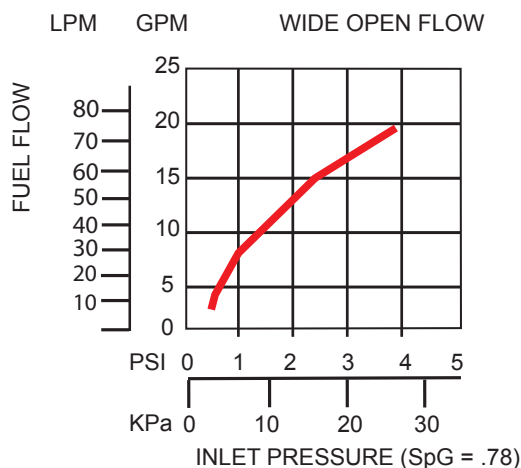
- Compatible with unleaded, diesel and all Ethanol blends through E25.
- Retains the UL listing after being reconnected.
- Unusual interface between a pre-loaded spring and a single turn wave spring that enables valve to resist sudden pressure build-up in the hose resulting in nuisance separations.
- Unit separates at less than 200 lbf / 889.6 N which minimizes “backlash” force of separation, reducing damage to equipment.

## E25 Safe-T-Breaks®

MODEL NO.	DESCRIPTION	SHIPPING WEIGHT LBS (KG)
006360	¾" F x ¾" F Reconnectable Safe-T-Break®	.58 (.26)

## Construction

Body	Aluminum with Electroless Nickel Plating
Seals	Fluorocarbon and Fluorosilicone
Springs	Stainless Steel Stainless steel load and latch spring reverse mechanism Hardened stainless steel latch ring and ball
Threads	¾" / 19.1 mm NPT



WARNING: Cancer and Reproductive Harm - www.P65Warnings.ca.gov





# E25 Safe-T-Breaks®

All Husky® Safe-T-Breaks® stop the flow of fuel on both sides of the separation.

## Dimensions and System Options

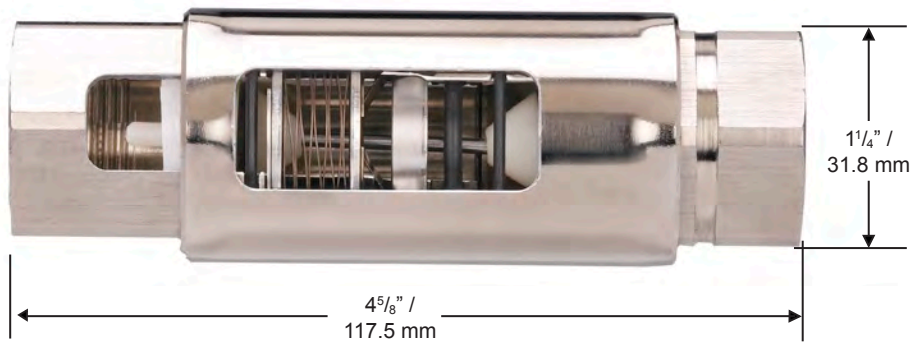
### Guards

MODEL NO.	DESCRIPTION
003097	Black Scuff Guard

### Accessories, Testing and Maintenance

MODEL NO.	DESCRIPTION
007000	Safe-T-Break® Drain Cup
003813	Safe-T-Break® Demonstration Kit

Model 006360



2325 Husky Way • Pacific, MO 63069  
 (800) 325-3558 • Fax (636) 825-7300  
[www.husky.com](http://www.husky.com) • [sales@husky.com](mailto:sales@husky.com)

MADE IN THE U.S.A. 

## Inline SAFE-T-BREAK®.

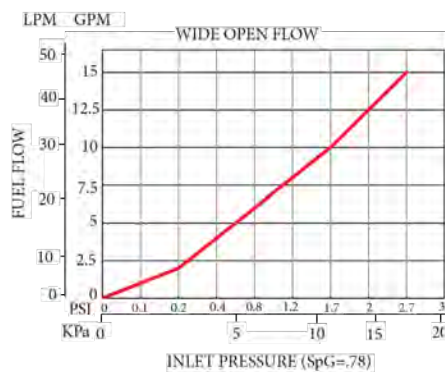
- Threads directly into nozzle inlet.
- Separates at 180-337 lbs (800-1500N).
- Reconnectable.
- Stops flow on hose side of break.
- Separates at angles up to 90 degrees.
- Aluminum internal flow director - stronger than Elaflex plastic design.
- Check valve o-ring to ensure reliable fuel shut-off, not included on Elaflex.

## New Inline SAFE-T-BREAK®

MODEL NO.	DESCRIPTION	SHIPPING WEIGHT LBS (KG)
008521A	Inline Safe-T-Break®	.45 (.20)

## Construction

Body	Aluminum
Seals	Fluorocarbon
Threads	M34 x 1.5

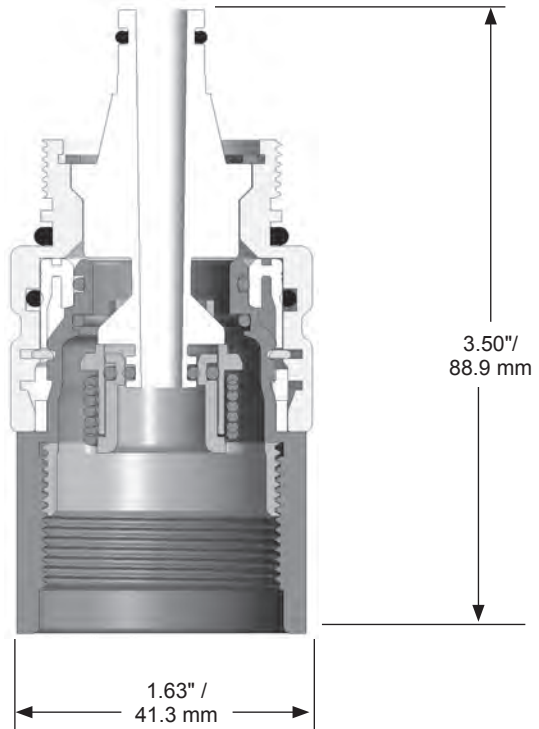


WARNING: Cancer and Reproductive Harm - [www.P65Warnings.ca.gov](http://www.P65Warnings.ca.gov)



## Inline SAFE-T-BREAK®.

## Dimensions



2325 Husky Way • Pacific, MO 63069  
(800) 325-3558 • Fax (636) 825-7300  
[www.husky.com](http://www.husky.com) • [sales@husky.com](mailto:sales@husky.com)

MADE IN THE U.S.A. 

# E25/E85 MAGBREAK®

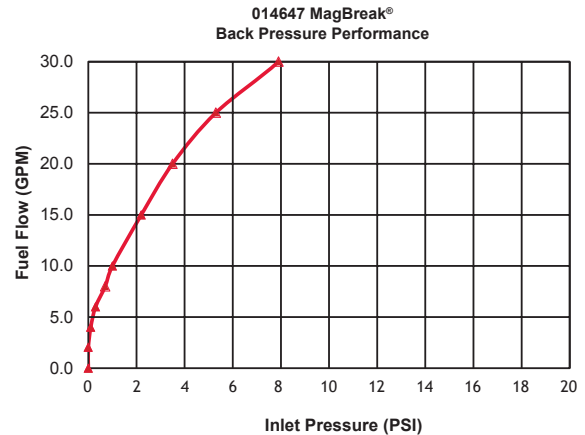


**All Husky® Safe-T-Breaks® stop the flow of fuel on both sides of the separation and have passed the demanding UL test requirements on separations without leaking or failing.**

- High impact resistant polymer housing.
- Compatible with unleaded, diesel, and all Ethanol blends through E85
- Features same separation mechanism as Model 008330
- Lighter than competing magnetic breakaways.
- Two straight screwdrivers used to separate.
- For easier install and maintenance on other hanging hardware
- Assurance of proper reconnection using a simple “twist to lock” feature.
- Absorb line shock in excess of 450 psi at 17 gpm (31 bar at 64.3 Lpm)
- Low scuff housing.
- Line shock absorbing design.
- Stops flow on both sides of break.

## E25/E85 MAGBREAK®

MODEL NO.	DESCRIPTION	SHIPPING WEIGHT LBS (KG)
014647	MAGBREAK® 3/4" F x 3/4" F E25/85 NPT (Separates at less than 200 pounds pull force)	1.21 (.55)



⚠ WARNING: Cancer and Reproductive Harm - [www.P65Warnings.ca.gov](http://www.P65Warnings.ca.gov)

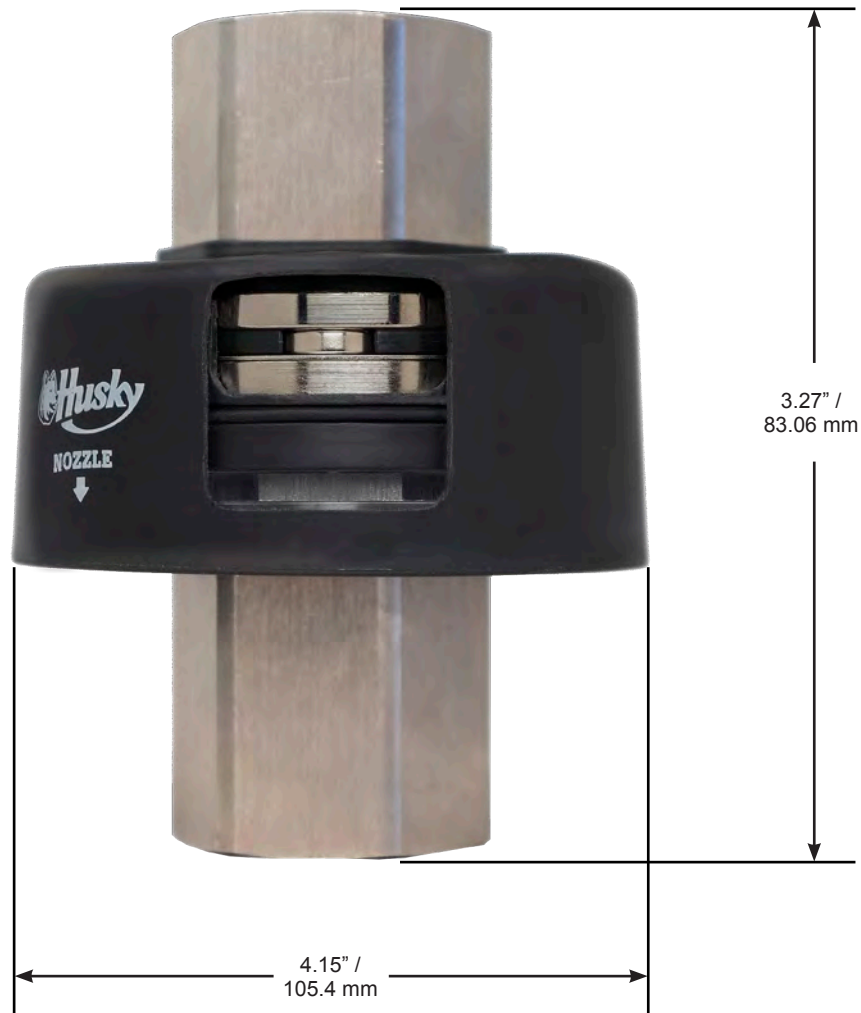
**Husky**

GENERAL FUELING PRODUCTS

# E25/E85 MAGBREAK®

All Husky® Safe-T-Breaks® stop the flow of fuel on both sides of the separation and have passed the demanding UL test requirements on separations without leaking or failing.

## Dimensions



2325 Husky Way • Pacific, MO 63069  
(800) 325-3558 • Fax (636) 825-7300  
[www.husky.com](http://www.husky.com) • [sales@husky.com](mailto:sales@husky.com)

MADE IN THE U.S.A. 



GENERAL FUELING PRODUCTS

# Swivel/Safe-T-Break<sup>®</sup> Combos





## Husky Model 006310 Swivel Safe-T-Break® combination for standard fueling applications.

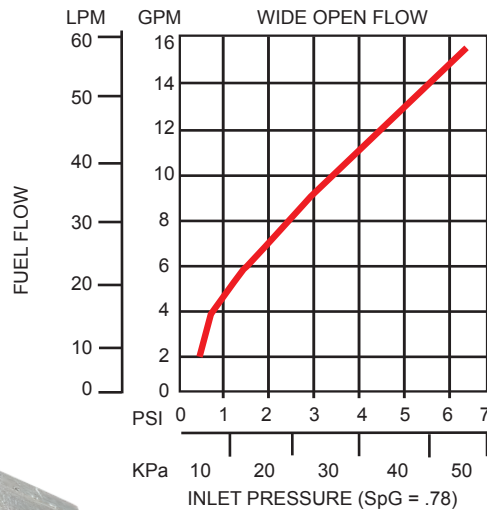
- Multi-plane, full 360° spherical rotation for easy movement of nozzle.
- Swivel Sync® feature to prevent separation failure in the 90° position.
- Safe-T-Break® is reconnectable and retains UL listing after reconnecting.
- Dual check valves stops fuel in both directions.
- Separates at less than 325 lbf / 1,445.6 N which minimizes backlash force of separations, reducing damage to equipment.
- Wave spring helps reduce nuisance breaks due to water hammer.
- Dynamic seals have double o-ring construction for long life and low temperature performance.
- Compatible with Ethanol blends though E10.
- Compact and light weight for easy handling.
- Easier to reconnect when installed at the nozzle.
- Eliminates the need for a whip hose.

### Swivel/Safe-T-Break® Combination

MODEL NO.	DESCRIPTION	SHIPPING WEIGHT LBS (KG)
006310	¾" NPT M x ¾" NPT F Multi-Plane Swivel Reconnectable Safe-T-Break®	.90 (.40)
007085	¾" BSP M x ¾" BSP F Multi-Plane Swivel Reconnectable Safe-t-Break®	.90 (.40)
007085A*	¾" BSP M x ¾" BSP F Multi-Plane Swivel Reconnectable Safe-t-Break® - Atex	.90 (.40)

### Construction

Body	Aluminum, Zinc Alloy
Seals	Fluorosilicone, Fluorocarbon
Springs	Stainless Steel
Threads	Various



II 2 G  
EN 13617-2 TYPE 1  
EN 13617-4 STYLE 1



WARNING: Cancer and Reproductive Harm - www.P65Warnings.ca.gov

**Husky**

GENERAL FUELING PRODUCTS

# Swivel/STB Standard

Husky Model 006310 Swivel Safe-T-Break® Combination for standard fueling applications.

## Dimensions

### Guards

MODEL NO.	DESCRIPTION
006534	Scuff Guard for Safe-T-Break®

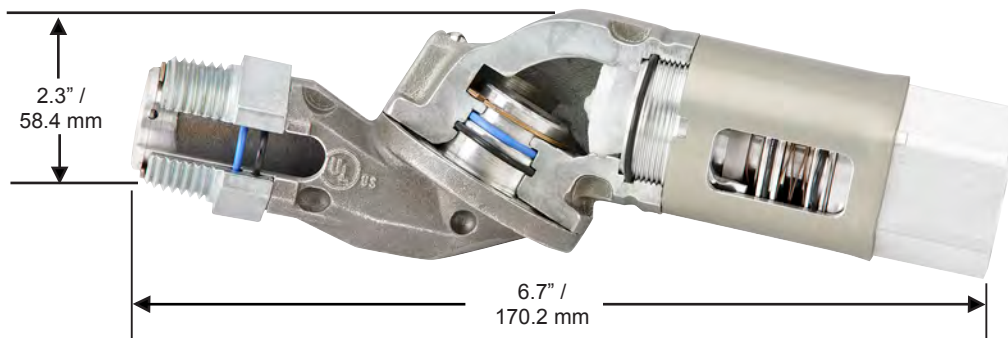
### Color Chart

COLOR	SUFFIX	COLOR	SUFFIX
Blue	-01	White	-06
Red	-02	Gold	-08
Green	-03	Silver	-09
Black	-04	BP Green	-16
Yellow	-05	Pink	-20

\*\*Safe-T-Breaks® and Safe-T-Break® Scuff Guards are to be ordered with the corresponding guard color option added to the model number.

Example: If BLUE guards are desired, add guard color option -01 to the model number (004034-01).

For custom colors, a minimum order of 4,000 guards will be required.



2325 Husky Way • Pacific, MO 63069  
 (800) 325-3558 • Fax (636) 825-7300  
[www.husky.com](http://www.husky.com) • [sales@husky.com](mailto:sales@husky.com)

MADE IN THE U.S.A.



## Husky® Model 005969 Swivel Safe-T-Break® Combination for truck and high volume fueling.

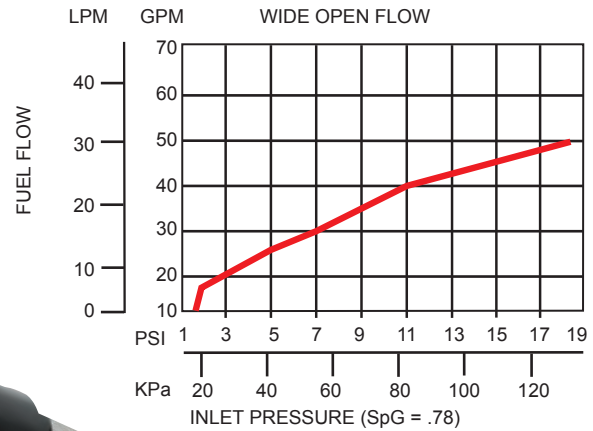
- Multi-plane, full 360° spherical rotation for easy movement of nozzle.
- Swivel Sync® feature to prevent separation failure in the 90° position.
- High strength step shoulder bearing diameters and impact absorbing stops.
- Dynamic seals have double o-ring construction for long life and low temperature performance.
- Separates at less than 325 lbf / 1,445.6 N which minimizes backlash force of separations, reducing damage to equipment.
- Safe-T-Break® is reconnectable and retains UL listing after reconnecting.
- Dual check valves stop fuel in both directions.
- Internal pressure balancing chamber prevents “line shock” nuisance separations.
- Compatible with Ethanol blends through E10.
- Compact and light weight for easy handling.
- Easier to reconnect when installed at the nozzle.
- Eliminates the need for a whip hose

### Swivel/Safe-T-Break® Combination

MODEL NO.	DESCRIPTION	SHIPPING WEIGHT LBS (KG)
005969	1" NPT M x 1" NPT F Multi-Plane Swivel Reconnectable Safe-T-Break®	1.5 (0.7)
008015	1" BSP M x 1" BSP F Multi-Plane Swivel Reconnectable Safe-T-Break®	1.5 (0.7)
008015A*	1" BSP M x 1" BSP F Multi-Plane Swivel Reconnectable Safe-T-Break® - Atex	1.5 (0.7)
008985	1" BSP M x 1" BSP M Multi-Plane Swivel Reconnectable Safe-T-Break®	1.5 (0.7)
008985A*	1" BSP M x 1" BSP M Multi-Plane Swivel Reconnectable Safe-T-Break® - Atex	1.5 (0.7)

### Construction

Body	Aluminum, Zinc Alloy
Seals	Fluorocarbon
Springs	Stainless Steel
Threads	Various



II 2 G  
EN 13617-2 TYPE 1  
EN 13617-4 STYLE 1



WARNING: Cancer and Reproductive Harm - www.P65Warnings.ca.gov

**Husky**

GENERAL FUELING PRODUCTS

# Swivel/STB High Volume

Husky® Model 005969 Swivel Safe-T-Break® Combination for truck and high volume fueling.

## Dimensions and System Options

### Guards

MODEL NO.	DESCRIPTION
006534	Scuff Guard for Safe-T-Break®

### Accessories, Testing and Maintenance

MODEL NO.	DESCRIPTION
007000	Safe-T-Break® Drain Cup

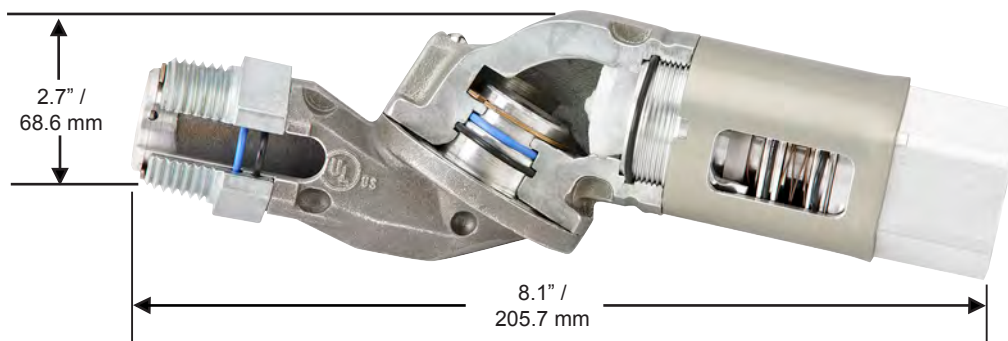
### Color Chart

COLOR	SUFFIX	COLOR	SUFFIX
Blue	-01	White	-06
Red	-02	Gold	-08
Green	-03	Silver	-09
Black	-04	BP Green	-16
Yellow	-05	Pink	-20

\*\*Safe-T-Breaks® and Safe-T-Break® Scuff Guards are to be ordered with the corresponding guard color option added to the model number.

Example: If BLUE guards are desired, add guard color option -01 to the model number (004034-01).

For custom colors, a minimum order of 4,000 guards will be required.



2325 Husky Way • Pacific, MO 63069  
 (800) 325-3558 • Fax (636) 825-7300  
[www.husky.com](http://www.husky.com) • [sales@husky.com](mailto:sales@husky.com)

MADE IN THE U.S.A.



## Inline COMBO.



### Features

- Single Plane 360° Rotation
- Unique to Husky® products, the steel ball bearing design provides easier joint movement during high pressure applications.
- Safe-T-Break® is service reconnectable
- Check valve to stop flow of fuel on hose side
- Check valve O-ring to ensure reliable fuel shut-off
- Separates between 180 lbs. and 337 lbs.
- Separates at angles up to 90°
- Compact and easy to handle
- Fuel/Diesel or DEF versions available

### Construction

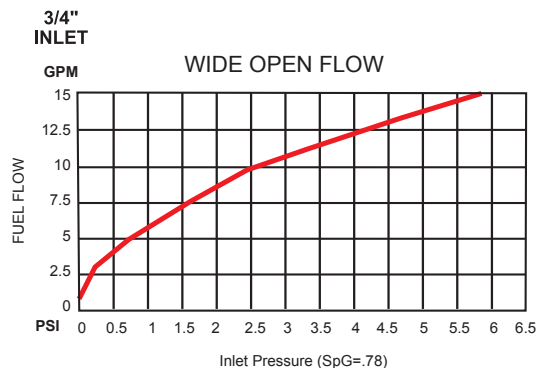
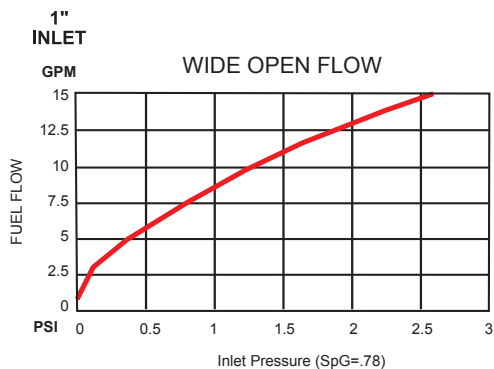
Body: Anodized aluminum /Alodined Aluminum

Seals: Fluorocarbon

Nuts: Stainless steel, electroless nickel-plated steel

### Inline Combo

MODEL NO.	Scuff Guard	Fuel/ DEF	Swivel	Swivel Thread	STB Thread	ATEX	Shipping Weight
012828	X	DEF	360°	3/4" BSP M	3/4" BSP F	—	.90lbs/.40KG
012831	X	DEF	360°	3/4" NPT M	3/4" NPT F	—	.90lbs/.40KG
012887	X	DEF	360°	3/4" BSP M	1" BSP F	—	.90lbs/.40KG
012890	X	DEF	360°	3/4" BSP M	1" BSP M	—	.80lbs/.36KG
013185	X	DEF	360°	M34 M	1" BSP M	—	.80lbs/.36KG
014438	X	DEF	360°	1" BSP M	1" BSP M	—	.90lbs/.40KG
013530A*	X	FUEL	360°	1" BSP M	1" BSP M	X	.90lbs/.40KG
013530	X	FUEL	360°	1" BSP M	1" BSP M	—	.90lbs/.40KG
013827A*	X	FUEL	360°	3/4" BSP M	3/4" BSP M	X	.80lbs/.36KG
014438A*	X	DEF	360°	1" BSP M	1" BSP M	—	.90lbs/.40KG



WARNING: Cancer and Reproductive Harm - www.P65Warnings.ca.gov



# Swivel/STB Inline Combo

## Inline COMBO

## Dimensions and System Options

### Guards

MODEL NO.	DESCRIPTION
0008526	Scuff Guard for Safe-T-Break®

### Color Chart

COLOR	SUFFIX	COLOR	SUFFIX
Blue	-01	White	-06
Red	-02	Gold	-08
Green	-03	Silver	-09
Black	-04	BP Green	-16
Yellow	-05	Pink	-20

\*\*Safe-T-Breaks® and Safe-T-Break® Scuff Guards are to be ordered with the corresponding guard color option added to the model number.

Example: If BLUE guards are desired, add guard color option -01 to the model number (004034-01).

For custom colors, a minimum order of 4,000 guards will be required.



2325 Husky Way • Pacific, MO 63069  
 (800) 325-3558 • Fax (636) 825-7300  
[www.husky.com](http://www.husky.com) • [sales@husky.com](mailto:sales@husky.com)

MADE IN THE U.S.A. 





GENERAL FUELING PRODUCTS

# Guards

# HUSKY® Guards



For nozzles and Safe-T-Breaks®



### Nozzle Guards

- Nozzle Guards, Nozzle Reguards, Waffle Splash Guards and Safe-T-Break® Guards are to be ordered with the corresponding color option added to the model number.
- Custom colors are available for all Nozzle Guards, Nozzle Reguards, Waffle Splash Guards and Safe-T-Break® Guards.
- The Safety / Warning logo will be printed on all Nozzle Guards and Nozzle Reguards.
- The E85 logo is available on all Nozzle Guards, Nozzle Reguards and Safe-T-Break® Guards upon request.
- A customized logo can be printed on any Nozzle Guard or Nozzle Reguard upon request

### Safe-T-Break® Guards

- Protects dispenser from damage caused by the Safe-T-Break® and whip hose.
- Protects the Safe-T-Break® against corrosion due to environmental exposure.
- Enhanced protection of the Safe-T-Break® during separations.
- Provides a clean / more streamline appearance.
- Available in multiple colors to coordinate with the nozzle guards.
- Available with E85 logo.

### Easy-On Guard Package

MODEL NO.	DESCRIPTION
003440	X, XS®, XFS Nozzles (includes 003795 Mate Nozzle Guard and 012117 Fluted Handle Cover)
011597	V34 International Nozzles (includes 014526 Mate Nozzle Guard and 010089 Handle Cover)
014524	X, XS®, XFS International Nozzles (includes 014530 Mate Nozzle Guard and 007361 Handle Cover)

### Full Grip Nozzle Guards

MODEL NO.	DESCRIPTION
000554	1A, 1GS, 1HS Nozzles
004145	X, XS®, XFS Nozzles
004740	VIII, VIIS Nozzles
005170	V3 Nozzles
006483	Safe-T-Squeeze® Nozzles
006951	V34 Nozzles

### Full Grip Nozzle Reguards (includes zip tie)

MODEL NO.	DESCRIPTION
001804	1A, 1GS, 1HS Nozzles
001806	X, XS®, XFS Nozzles
005516	VIII, VIIS Nozzles
004231	V34 Nozzles
005169	V3 Nozzles

### Nozzle Guard Packages

MODEL NO.	DESCRIPTION
000099	1A, 1HS Nozzle Protection Package (includes 000554 Full Grip Nozzle Guard and 001808 Waffle Splash Guard)
001506	X, XS® Nozzle Protection Package (includes 004145 Full Grip Nozzle Guard and 001808 Waffle Splash Guard)
001809	X, XS® Nozzle Reguard Package (includes 001806 Full Grip Reguard, Zip Tie and 001808 Waffle Splash Guard)
001811	1A, 1HS Nozzle Reguard Package (includes 001804 Full Grip Reguard, Zip Tie and 001808 Waffle Splash Guard)

### Waffle Splash Guards

MODEL NO.	DESCRIPTION
001807	Waffle Splash Guard (small hole)
001808	X, XS®, 1A, 1HS, VIII, VIIS Nozzles
006955	V3 Nozzles

### Safe-T-Break® Guards

MODEL NO.	DESCRIPTION
003096	003360, 006130, and 005230 Safe-T-Breaks®
003098	002276, 004034, 005134, 006210, 006301, and 006560 Safe-T-Breaks®
003990	003360VR Safe-T-Break®
006534	006310 Swivel Safe-T-Break® Combo
006503	2 piece Safe-T-Break® Dispenser Guard

### Mate Nozzle Guards

MODEL NO.	DESCRIPTION
000226	1A, 1GS, 1HS, DEF Nozzles
003795	X, XS®, XFS Nozzles
007295	1A, 1GS, 1HS, DEF Handle Cover
007361	X, XS®, XFS, DEF X, PHG Handle Cover
010089	V34, PHG Handle Cover
012117	X, XS®, XFS Fluted Handle Cover
014526	V34 International Nozzles
014530	X, XS®, XFS International Nozzles
015257	1A, 1GS, 1HS, DEF International Nozzles



WARNING: Cancer and Reproductive Harm - www.P65Warnings.ca.gov

**Husky**

GENERAL FUELING PRODUCTS

# HUSKY® Guards

**For nozzles and Safe-T-Breaks®**

## Color Chart

COLOR	SUFFIX	COLOR	SUFFIX
Blue	-01	White	-06
Red	-02	Gold	-08
Green	-03	Silver	-09
Black	-04	BP Green	-16
Yellow	-05	Pink	-20

\*Safe-T-Breaks® and Safe-T-Break® Scuff Guards are to be ordered with the corresponding guard color option added to the model number.

Example: If BLUE guards are desired, add guard color option -01 to the model number (004034-01).

For custom colors, a minimum order of 4,000 guards will be required.



2325 Husky Way • Pacific, MO 63069  
 (800) 325-3558 • Fax (636) 825-7300  
[www.husky.com](http://www.husky.com) • [sales@husky.com](mailto:sales@husky.com)

MADE IN THE U.S.A.


# POPD Guards



## Point of purchase display nozzle guards.



- Allows additional advertising at the point of fuel purchases.
- Unique angled design for easy readability both hanging in dispenser and while fueling.
- Guards come standard with clear cover to protect the advertisement.
- Clear cover contains UV stabilizer for durability and to prevent discoloring.
- Built-in to the nozzle guard for easy installation.





Horseshoe Guard 

Square Guard 

## Full Grip Nozzle Guards

MODEL NO.	DESCRIPTION		
006665	X, XS®, XFS Nozzles	X	
006655	1A, 1HS, 1GS Nozzles	X	
007352	VIII, VIIS Nozzles	X	
006660	V34 Nozzles	X	
007175	11A Nozzles	X	
007180	11B Nozzles	X	
008183	1A, 1GS, 1HS, Nozzles		X
008184	V34 Nozzle		X
008185	X, XS®, XFS Nozzles		X
008186	VIII, VIIS, Nozzles		X
008187	11A Nozzles		X
008188	11B Nozzles		X



## Full Grip Nozzle Reguards

MODEL NO.	DESCRIPTION		
007205	X, XS®, XFS Nozzles	X	
007210	1A, 1HS, 1GS Nozzles	X	
007220	V34 Nozzles	X	
007225	11A Nozzles	X	
007230	11B Nozzles	X	
008194	VIII, VIIS Nozzles	X	
008190	1A, 1GS, 1HS Nozzles		X
008191	V34 Nozzle		X
008192	X, XS®, XFS Nozzles		X
008193	VIII, VIIS Nozzles		X
008195	11A Nozzles		X
008196	11B Nozzles		X


## Clear Cover

MODEL NO.	DESCRIPTION
006628	POPD S Clear Cover
007999	POPD H Clear Cover

## EZ Guards

MODEL NO.	DESCRIPTION		
008175	X, XS®, XFS Nozzles	X	
007990	11A Nozzles	X	
007992	11B Nozzles	X	
008176	X, XS®, XFS Nozzles		X
007991	11A Nozzles		X
007993	11B Nozzles		X



 WARNING: Cancer and Reproductive Harm - www.P65Warnings.ca.gov

Point of purchase display nozzle guards.

## System Options

### Mate Nozzle Guards

MODEL NO.	DESCRIPTION	<input type="checkbox"/>	<input type="checkbox"/>
008169	1A, 1GS, 1HS Nozzles	X	
008165	X, XS®, XFS Nozzles	X	
008167	VIII, VIIS Nozzles	X	
008171	11A Nozzles	X	
008173	11B Nozzles	X	
008170	1A, 1GS, 1HS Nozzles		X
008166	X, XS®, XFS Nozzles		X
008168	VIII, VIIS Nozzles		X
008172	11A Nozzles		X
008174	11B Nozzles		X
015247	X, XS International Polymer Handguard Nozzles		X
015253	X, XS International Polymer Handguard Nozzles without Clear Cover		X







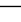


### Black Handle Cover

MODEL NO.	DESCRIPTION
007361	X, XS, XFS Polymer Handguard Nozzles
007376	1A, 1HS, 1GS and DEF Nozzles
012117	X, XS, XFS Metal Handguard Nozzles

### Waffle Splash Guard

MODEL NO.	DESCRIPTION
001808	X, XS®, 1A, 1HS, VIII, VIIS Nozzles
001807	11A, 11B Nozzles

### Color Chart

COLOR	SUFFIX COLOR SUFFIX
 Blue	-01 <input type="checkbox"/> White -06
 Red	-02  Gold -08
 Green	-03  Silver -09
 Black	-04  BP Green -16
 Yellow	-05  Pink -20

\*Safe-T-Breaks® and Safe-T-Break® Scuff Guards are to be ordered with the corresponding guard color option added to the model number.

Example: If BLUE guards are desired, add guard color option -01 to the model number (004034-01).

For custom colors, a minimum order of 4,000 guards will be required.



Square Guard

Horseshoe Guard



2325 Husky Way • Pacific, MO 63069  
 (800) 325-3558 • Fax (636) 825-7300  
[www.husky.com](http://www.husky.com) • [sales@husky.com](mailto:sales@husky.com)

MADE IN THE U.S.A. 



GENERAL FUELING PRODUCTS

# Spouts



# 1GS Spouts



## Spout assemblies.

- Stainless Steel Spout Bushing (optional on LDD).
- *Streamshaper*®.
- Keeps spout tip round.
- Reduces turbulence for straighter fuel flow and less splashback spillage.



## Unlead Spout Assemblies

MODEL NO.	DESCRIPTION	SHIPPING WEIGHT LBS (KG)
001473	X, XS®, 1A, 1GS Spout Assembly with Streamshaper®	.3 (.14)
003356	XFS Spout Assy with Hanging Hook and Streamshaper®	.5 (.23)
008684	X, XS®, 1A, 1GS MTBE Spout Assembly with Streamshaper®	.3 (.14)
010432	X, XS®, 1A, 1GS Long Spout Assembly with Streamshaper®	.4 (.18)
014376	X, XS®, 1A, 1GS Spout Assembly without Spout Spring, with Streamshaper®	.4 (.18)
014420	X, XS®, 1A, 1GS Spout Assembly with Streamshaper® and Spout Ring	.4 (.18)

## Light Duty Diesel Spout Assemblies

MODEL NO.	DESCRIPTION	SHIPPING WEIGHT LBS (KG)
001471	X, XS®, 1A, 1GS Spout Assembly with Streamshaper®	.4 (.18)
003358	XFS Spout Assembly with Hanging Hook	.6 (.27)
014378	X, XS®, 1A, 1GS Spout Assembly without Spout Spring, with Streamshaper®	.4 (.18)
014421	X, XS®, 1A, 1GS Spout Assembly with Streamshaper® and Spout Ring	.4 (.18)

## High Flow/High Volume Spout Assemblies

MODEL NO.	DESCRIPTION	SHIPPING WEIGHT LBS (KG)
005215	1HS, 1GS Spout Assembly	.4 (.18)

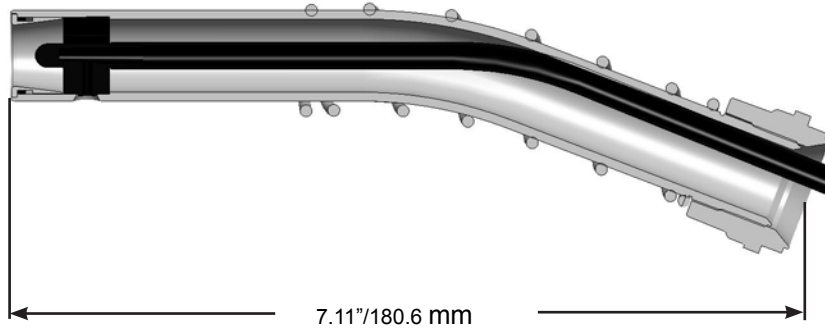


WARNING: Cancer and Reproductive Harm - [www.P65Warnings.ca.gov](http://www.P65Warnings.ca.gov)

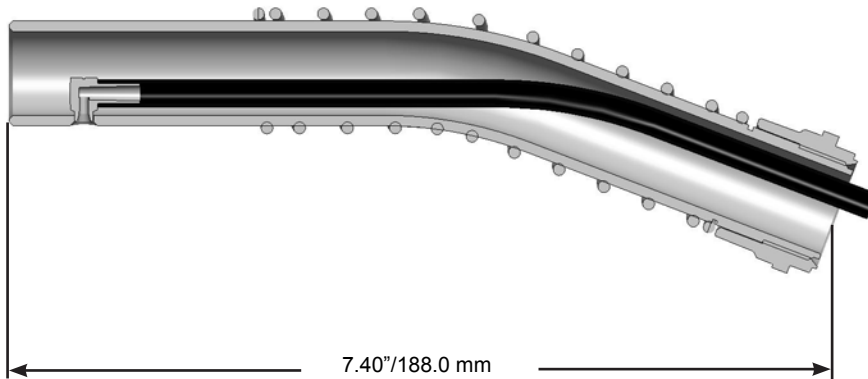
Spout assemblies.

## Dimensions

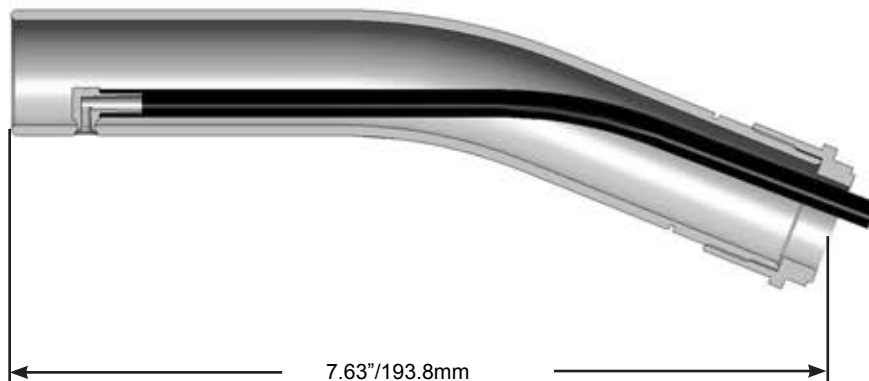
**Unlead Spouts**



**Light Duty Diesel Spout**



**High Flow/High Volume Spout**



2325 Husky Way • Pacific, MO 63069  
(800) 325-3558 • Fax (636) 825-7300  
[www.husky.com](http://www.husky.com) • [sales@husky.com](mailto:sales@husky.com)

MADE IN THE U.S.A. 

# DEF Spouts



## Spout assemblies.

- Spout assemblies with the *Streamshaper*® reduces turbulence for straighter DEF flow and less splash back spillage.
- Spout assemblies with the *Flo-Stop*® device that shuts off the nozzle if it falls from the fill tank or raises above the horizontal.
- Spout assemblies with the *Accufuel*® safety feature prevents misfilling of DEF in the diesel tank.

### Stainless Steel DEF Nozzle Spout Assemblies

MODEL NO.	DESCRIPTION	SHIPPING WEIGHT LBS (KG)
007360	with Spout Ring and Flo-Stop®	.4 (.18)
007362	with Flo-Stop®	.4 (.18)
007364	with Spout Ring and Magnetic Accufuel® Safety Feature	.4 (.18)

### X DEF Nozzle Spout Assemblies

MODEL NO.	DESCRIPTION	SHIPPING WEIGHT LBS (KG)
013285	with StreamShaper®	.4 (.18)
013286	with Spout Ring and Magnetic Accufuel® Safety Feature	.4 (.18)

### Polymer DEF Nozzle Spout Assemblies

MODEL NO.	DESCRIPTION	SHIPPING WEIGHT LBS (KG)
013591	with StreamShaper®	.4 (.18)
013592	with Spout Ring and StreamShaper®	.4 (.18)
013593	with Spout Ring and Magnetic Accufuel® Safety Feature	.4 (.18)



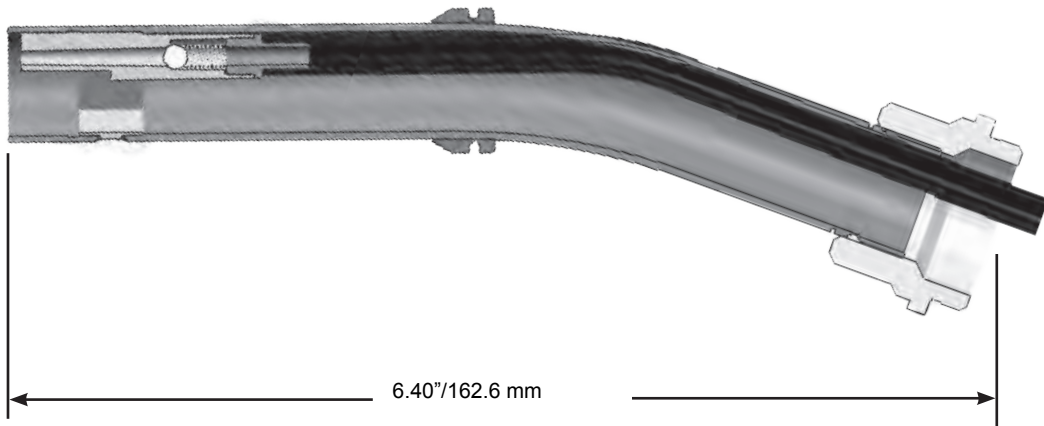
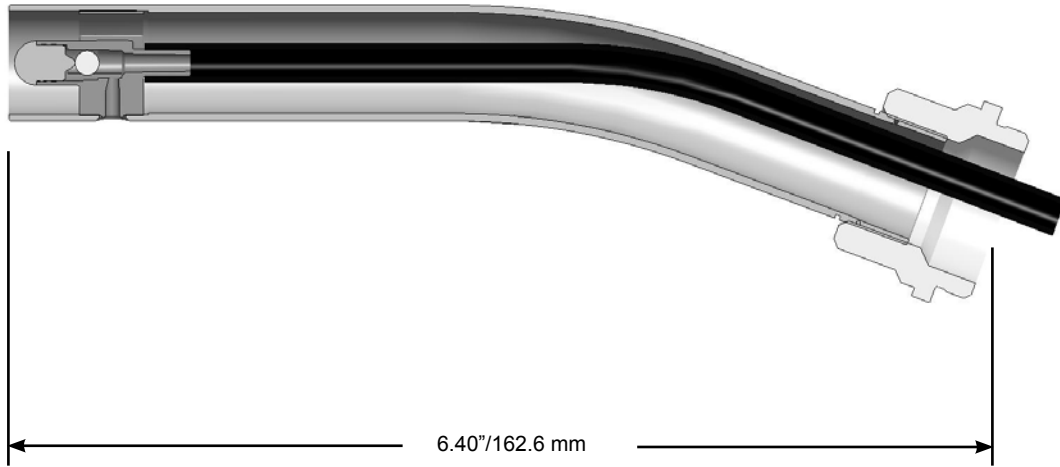
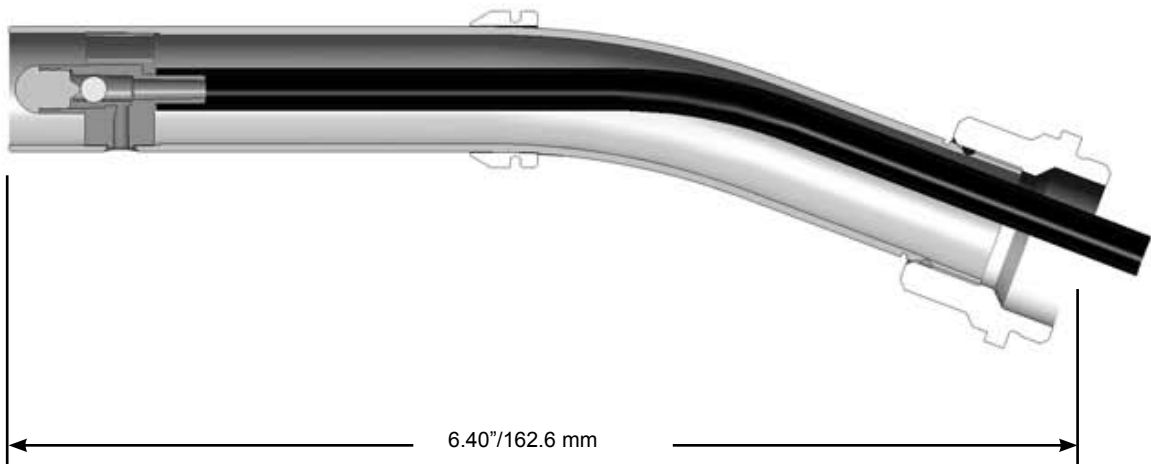
WARNING: Cancer and Reproductive Harm - [www.P65Warnings.ca.gov](http://www.P65Warnings.ca.gov)



# DEF Spouts

## Spout Assemblies.

### Dimensions



2325 Husky Way • Pacific, MO 63069  
 (800) 325-3558 • Fax (636) 825-7300  
[www.husky.com](http://www.husky.com) • [sales@husky.com](mailto:sales@husky.com)

MADE IN THE U.S.A.

# VIII, VIIS Spouts



13-5

SPOUT ASSEMBLIES

## Spout assemblies.

- Aluminum Spout Bushing.
- Flow stop device.
- Reduces rounding in of spout.
- Retains spout spring.
- Shuts off flow when spout is raised above horizontal.

## High Flow/High Volume Spout Assemblies

MODEL NO.	DESCRIPTION	SHIPPING WEIGHT LBS (KG)
002279	VIII, VIIS Spout Assembly with Spout Bushing	.9 (.41)
003589	VIII, VIIS Long Spout Assembly without Spout Bushing	1.0 (.45)
004889	1690 High-Volume Spout Assembly without Shear Groove (USA)	.5 (.23)
005017	VIII, VIIS Spout Assembly without Spout Bushing	.9 (.41)
005042	1691 High-Volume Spout Assembly with Shear Groove (Canada)	.5 (.23)
005215	1HS, 1GS Spout Assembly	.4 (.18)
007218	VIII, VIIS Long Spout Assembly with Spout Bushing	1.0 (.45)



WARNING: Cancer and Reproductive Harm - [www.P65Warnings.ca.gov](http://www.P65Warnings.ca.gov)

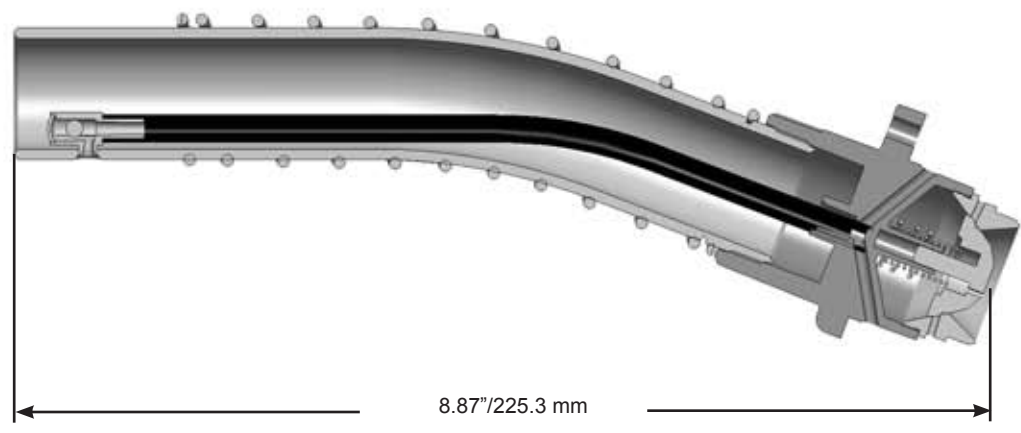
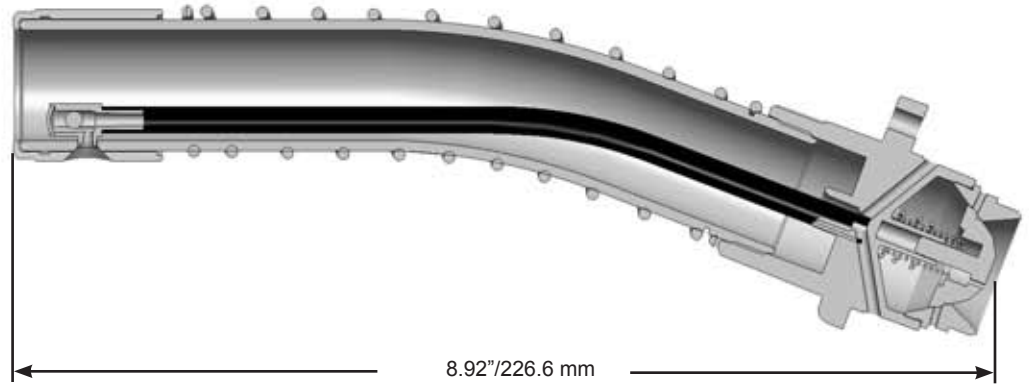


# VIII, VIIS Spouts

Spout assemblies.

## Dimensions

### High Flow/High Volume Spouts



2325 Husky Way • Pacific, MO 63069  
 (800) 325-3558 • Fax (636) 825-7300  
[www.husky.com](http://www.husky.com) • [sales@husky.com](mailto:sales@husky.com)

MADE IN THE U.S.A.



# V3 & V34 Spouts



## Spout assemblies.

- Stainless steel spout bushing.
- *Streamshaper*® reduces turbulence for straighter fuel flow and less splash back spillage.
- Keeps spout tip round.



V3 Spout Kit



V34 Spout Kit

## Vacuum Assist Vapor Recovery Unlead Spout Assemblies

MODEL NO.	DESCRIPTION	SHIPPING WEIGHT LBS (KG)
004000	V34 Vapor Splash Guard (VSG) (Includes 004039 Clamp)	.1 (.05)
004039	VSG Single Use Clamp	.1 (.05)
006289	V3 Spout Assy Kit (Includes 006389 Spout Assembly and 006955 Waffle Splash Guard)	.3 (.14)
006291	V34 Spout Assy Kit (Includes 004000 VSG and 006391 Spout Assembly)	.3 (.14)
006389	V3 Spout Assembly (without Waffle Splash Guard)	.2 (.09)
006391	V34 Spout Assembly with Streamshaper®	.3 (.14)
006656	V34-006536 VSG (Includes 004039 Clamp)	.1 (.05)
006663	V34-006536 Spout Assembly Kit (Includes 006391 Spout Assembly and 006656 VSG)	.3 (.14)
008411	V34i Spout Assembly Kit with Streamshaper® (Includes 003877 O-Ring and 006511 Set Screw)	.2 (.09)
008642	V34-006200 Coaxial Spout Assembly Kit (Includes 009968 Spout Assembly and 004000 VSG)	.3 (.14)
009968	V34-006200 Coaxial Spout Assembly	.2 (.09)

## Vacuum Assist Vapor Recovery Light Duty Diesel Spout Assemblies

MODEL NO.	DESCRIPTION	SHIPPING WEIGHT LBS (KG)
006261	V34C Spout Assembly Kit (Includes 004000 Vsg)	.4 (.18)
006361	V34 Spout Assembly Kit (Includes 004039 Clamp)	.3 (.14)



WARNING: Cancer and Reproductive Harm - www.P65Warnings.ca.gov

**Husky**

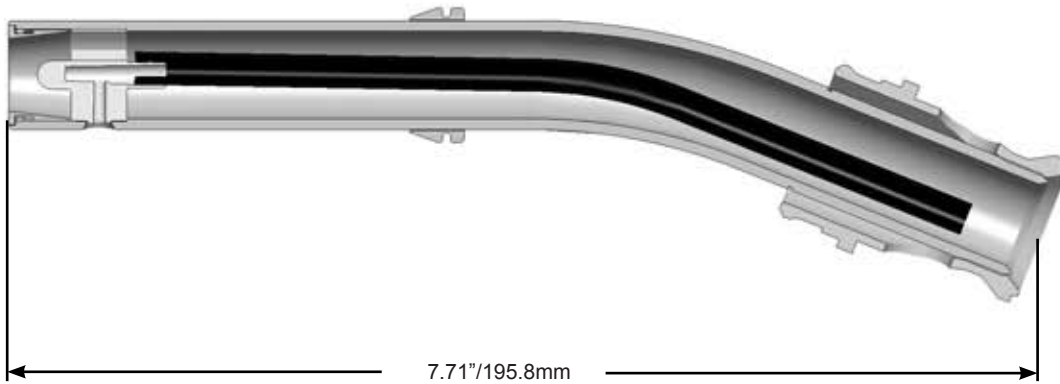
GENERAL FUELING PRODUCTS

# V3 & V34 Spouts

Spout assemblies.

## Dimensions

Vacuum Assist Vapor Recovery



2325 Husky Way • Pacific, MO 63069  
(800) 325-3558 • Fax (636) 825-7300  
[www.husky.com](http://www.husky.com) • [sales@husky.com](mailto:sales@husky.com)

MADE IN THE U.S.A.



## Spout assemblies.


- Nickel plated aluminum spout.
- *Streamshaper*®
- Stainless Steel Spout Bushing.
- E85 compatible.
- Keeps spout tip round.
- Reduces turbulence for straighter fuel flow and less splashback spillage.



## Ethanol Spout Assemblies

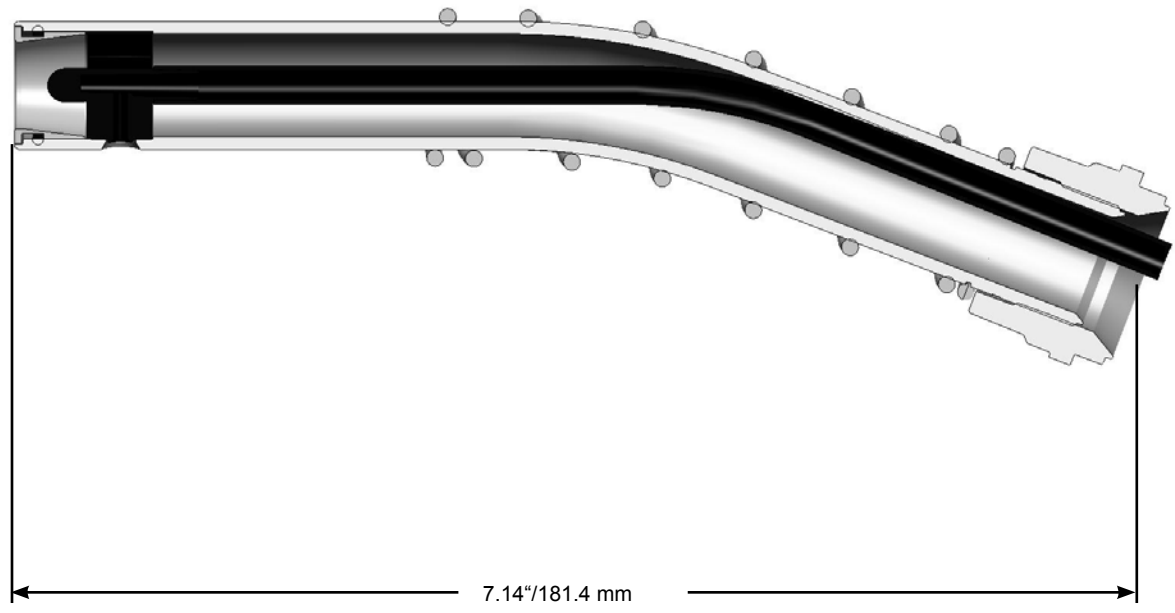
MODEL NO.	DESCRIPTION	SHIPPING WEIGHT LBS (KG)
006207	X, XS® E85 Spout Assembly with Streamshaper®	.4 (.18)



 WARNING: Cancer and Reproductive Harm - [www.P65Warnings.ca.gov](http://www.P65Warnings.ca.gov)

## Spout Assemblies.

## Dimensions





GENERAL FUELING PRODUCTS

# Pressure/Vacuum Vents

**All Pressure/Vacuum Vents have three (3) separate valves that address pressure/vacuum conditions in underground storage tanks (UST) and above ground storage tanks (AST).**

- The three (3) valve system provides the necessary protection and durability needed in UST and AST vent caps.
- The vacuum valve is diaphragm operated and provides ten (10) times more sealing force than gravity devices. It consistently opens at 6" - 10" of water column (WC) / 1.5 - 2.5 KPa vacuum.
- The first over-pressure valve is diaphragm operated, giving ten (10) times more sealing force than gravity devices. It opens at 2.5" - 6" WC / .63 - 1.5 KPa pressure.
- Not for use in California / EVR applications.
- Model 004885 is certified to less than 1/3 of the CARB EVR Standard CP-201 which allows installation of three (3) P/V Vents maximum. This reduces installation time by not having to manifold the vent pipes together.
- Model 004885 is a threaded vent cap that is easily installed by using the caston hex nut which allows tightening without having to go between vent pipes.
- Model 004620 is a slip-on vent cap with a main pliable seal that seals to the vent stack and provides leakproof protection because the seal is at the end of the vent stack, not on the threads.
- Model 004620 uses four (4) stainless steel set screws to grip the vent stack preventing any loosening of the seal.
- Constructed from materials 100% compatible with B0-B20 and E0-E85.

### Pressure/Vacuum Vents

MODEL NO.	DESCRIPTION	SHIPPING WEIGHT LBS (KG)
004620	2 in / 51 mm Slip-On Pressure / Vacuum Vent Cap	1.2 (.54)
004885	2 in / 51 mm Thread-On Pressure / Vacuum Vent Cap	

### Construction

Body	Aluminum
Screen	40 Mesh Stainless Steel
Set Screws	Stainless Steel
Deflector	Aluminum



This component was tested to and met the following criteria:

PRES. 2.5-6 IN. W.C.

VAC. 6-10 IN. W.C.

.05 CFH @ +2 IN. W.C.

.21 CFH @ -4 IN. W.C.



WARNING: Cancer and Reproductive Harm - [www.P65Warnings.ca.gov](http://www.P65Warnings.ca.gov)



**Husky**

GENERAL FUELING PRODUCTS

# STANDARD P/V Vents

All Pressure/Vacuum Vents have three (3) separate valves that address pressure/vacuum conditions in underground storage tanks (UST) and above ground storage tanks (AST).

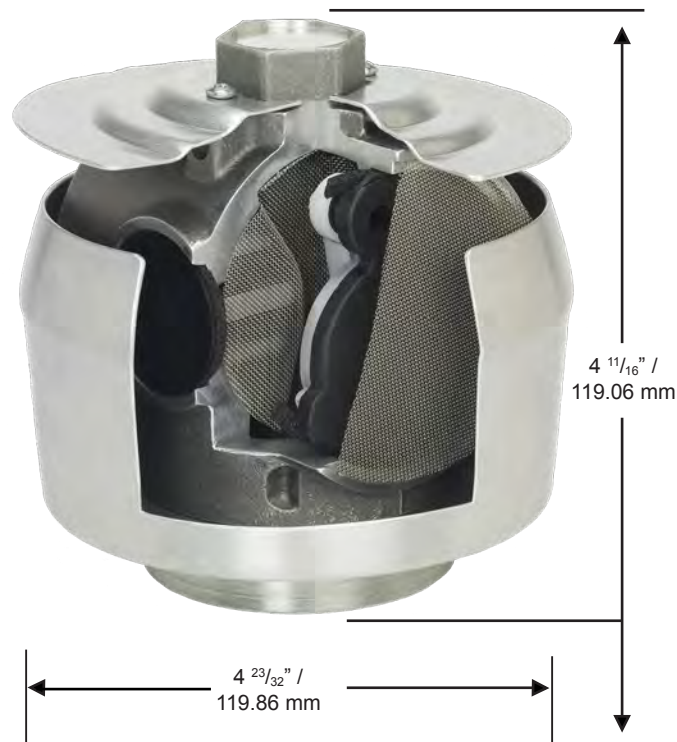
## Dimensions and System Options

### Adapter

MODEL NO.	DESCRIPTION
005041	3 in / 76 mm Thread to 2 in / 51 mm Thread Pipe Adapter

### Testing Equipment

MODEL NO.	DESCRIPTION
005426	Pressure / Vacuum Vent Test Adapter



2325 Husky Way • Pacific, MO 63069  
 (800) 325-3558 • Fax (636) 825-7300  
[www.husky.com](http://www.husky.com) • [sales@husky.com](mailto:sales@husky.com)

MADE IN THE U.S.A. 

# CARB P/V Vents



14-2

PRESSURE/VACUUM VENTS

**All Pressure/Vacuum Vents have three (3) separate valves that address pressure/vacuum conditions in underground storage tanks (UST) and above ground storage tanks (AST).**

- The three (3) valve system provides the necessary protection and durability needed in UST and AST vent caps.
- The vacuum valve is diaphragm operated and provides ten (10) times more sealing force than gravity devices. It consistently opens at 6" - 10" of water column (WC) / 1.5 - 2.5 KPa vacuum.
- The first over-pressure valve is diaphragm operated, giving ten (10) times more sealing force than gravity devices. It opens at 2.5" - 6" WC / .63 - 1.5 KPa pressure.
- Has an internal screen to protect the pressure plate in the event of a bad bulk drop.
- The safety over-pressure valve is designed to handle high pressure / high flow conditions. This valve will vent up to 7900 SCFH at 2 psi / .14 bar.
- Certified to less than 1/3 of the CARB EVR Standard CP-201 which allows installation of three (3) P/V vents maximum. This reduces installation time by not having to manifold the vent pipes together.
- Has a threaded vent cap that is easily installed by using the cast-on hex nut. This also allows tightening without having to go between vent pipes.
- Constructed from materials 100% compatible with B0-B20 and E0-E85.

## Pressure/Vacuum Vents

MODEL NO.	DESCRIPTION	SHIPPING WEIGHT LBS (KG)
005885*	2 in / 51 mm Thread-On Pressure / Vacuum Vent Cap with internal screen	1.2 (.54)

## Construction

Body	Aluminum
Screen	40 Mesh Stainless Steel
Internal Screen	40 Mesh Stainless Steel
Set Screws	Stainless Steel
Deflector	Aluminum



This component was tested to and met the following criteria:

PRES. 2.5-6 IN. W.C.

VAC. 6-10 IN. W.C.

.05 CFH @ +2 IN. W.C.

.21 CFH @ -4 IN. W.C.



AIR RESOURCES BOARD



WARNING: Cancer and Reproductive Harm - [www.P65Warnings.ca.gov](http://www.P65Warnings.ca.gov)

All Pressure/Vacuum Vents have three (3) separate valves that address pressure/vacuum conditions in underground storage tanks and above ground storage tanks (AST).

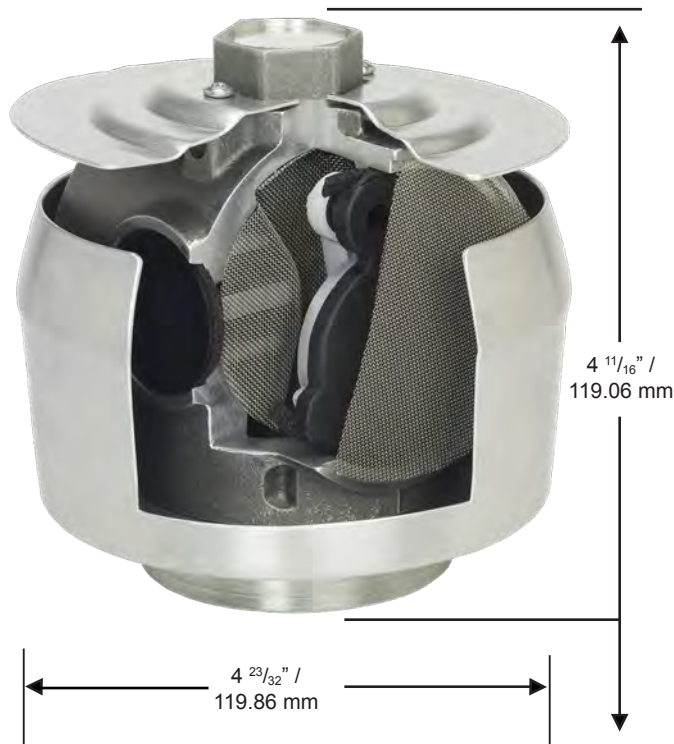
## Dimensions and System Options

### Adapter

MODEL NO.	DESCRIPTION
005041	3 in / 76 mm Thread to 2 in / 51 mm Thread Pipe Adapter

### Testing Equipment

MODEL NO.	DESCRIPTION
005426	Pressure / Vacuum Vent Test Adapter



2325 Husky Way • Pacific, MO 63069  
 (800) 325-3558 • Fax (636) 825-7300  
[www.husky.com](http://www.husky.com) • [sales@husky.com](mailto:sales@husky.com)

MADE IN THE U.S.A. 



GENERAL FUELING PRODUCTS

# Testing & Maintenance

# Nozzle Service Kit



**For Conventional, Balance or Vacuum Assist Systems.**

- Nozzle Service Device (NSD) can be used with all brands / styles of retail nozzles.
- NSD provides easier removal and installation of nozzles - keeps nozzles off the ground.
- Safe-T-Break® Drain Cup can be used with all brands of breakaways - even non-reconnectable versions.
- Safe-T-Break® Drain Cup allows for pressure relief making reconnecting easier.
- Fuel Filter Cup can be used on all brands / styles of automotive and diesel dispenser fuel filters.
- Provides safe collection of fuel when replacing nozzles, Safe-T-Breaks® and fuel filters.
- Allows product maintenance without getting fuel directly on hands / skin.
- NSD, Safe-T-Break® Drain Cup, Fuel Filter Cup, wrench and pliers all fit inside the service pail for easy transportation.

## Nozzle Service Kit

MODEL NO.	DESCRIPTION	SHIPPING WEIGHT LBS (KG)
007089	Nozzle Service Kit (includes part 006662 NSD, 007000 Safe-T-Break® Drain Cup, 007004, Fuel Filter Cup, 007086 Service Pail, 007088 NSD Pliers, 007332 Shear Valve Wrench and 007098 Fuel Filter Tool)	9.5 (4.3)

## Basic Nozzle Service Kit

MODEL NO.	DESCRIPTION	SHIPPING WEIGHT LBS (KG)
007262	Basic Nozzle Service Kit (includes part 006662 NSD, 007000 Safe-T-Break® Drain Cup, 007004, Fuel Filter Cup and 007086 Service Pail)	9.0 (4.0)

## Deluxe Nozzle Service Kit

MODEL NO.	DESCRIPTION	SHIPPING WEIGHT LBS (KG)
007263	Deluxe Nozzle Service Kit (includes part 006662 NSD, 007000 Safe-T-Break® Drain Cup, 007004, Fuel Filter Cup, 007086 Service Pail, 007332 Shear Valve Wrench, 007348 Deluxe Service Pliers and 007349 Deluxe Fuel Filter Pliers)	9.5 (4.3)


## Construction

Service Pail	Steel
Nozzle Service Device (NSD)	Polypropylene
Safe-T-Break® Drain Cup	Polypropylene
Fuel Filter Cup	Plastisol



Part No. 007262



 WARNING: Cancer and Reproductive Harm - [www.P65Warnings.ca.gov](http://www.P65Warnings.ca.gov)

**Husky**

GENERAL FUELING PRODUCTS

# Nozzle Service Kit

For Conventional, Balance, or Vacuum Assist Systems.

## System Options

### Nozzle Service Kit Parts

MODEL NO.	DESCRIPTION
006662	Nozzle Service Device (NSD)
007000	Safe-T-Break® Drain Cup
007004*	Fuel Filter Cup
007086	Service Pail
007088	NSD 12" Pliers
007098	Fuel Filter Tool (Wrench)
007099	Fuel Filter Service Kit (includes part 007004 Fuel Filter Cup and 007098 Fuel Filter Tool)
007332	Shear Valve Wrench
007348	Deluxe Service Pliers
007349	Deluxe Fuel Filter Pliers
007350	Deluxe Service Tool Kit (includes 007332 Shear Valve Wrench, 007348 Service Pliers, and 007349 Fuel Filter Pliers)
008071	Fuel Filter Cap with 5" Base

### Color Chart

COLOR	SUFFIX	COLOR	SUFFIX
Blue	-01	White	-06
Red	-02	Gold	-08
Green	-03	Silver	-09
Black	-04	BP Green	-16
Yellow	-05	Pink	-20

\*Safe-T-Breaks® and Safe-T-Break® Scuff Guards are to be ordered with the corresponding guard color option added to the model number.

Example: If BLUE guards are desired, add guard color option -01 to the model number (004034-01).

For custom colors, a minimum order of 4,000 guards will be required.



Part No. 007086



Part No. 007000



Part No. 007004



Part No. 006662



2325 Husky Way • Pacific, MO 63069  
(800) 325-3558 • Fax (636) 825-7300  
[www.husky.com](http://www.husky.com) • [sales@husky.com](mailto:sales@husky.com)

MADE IN THE U.S.A. 



## Hose Conversion Adaptor

- Easy conversion of vapor recovery dispenser manifold to accept conventional hose configurations.

### New Hose Conversion Adaptor

MODEL NO.	DESCRIPTION	SHIPPING WEIGHT LBS (KG)
006941	Hose Conversion Adaptor M34 x 1.5	.18 (.40)
006959	Hose Conversion Adaptor Balanced	.26 (.57)
009500	Hose Conversion Adaptor 1-1/4" -18	.18 (.40)

### Specifications

- 1 piece machined aluminum fittings
- Fluorocarbon o-rings.

### Advantages

- Simple installation

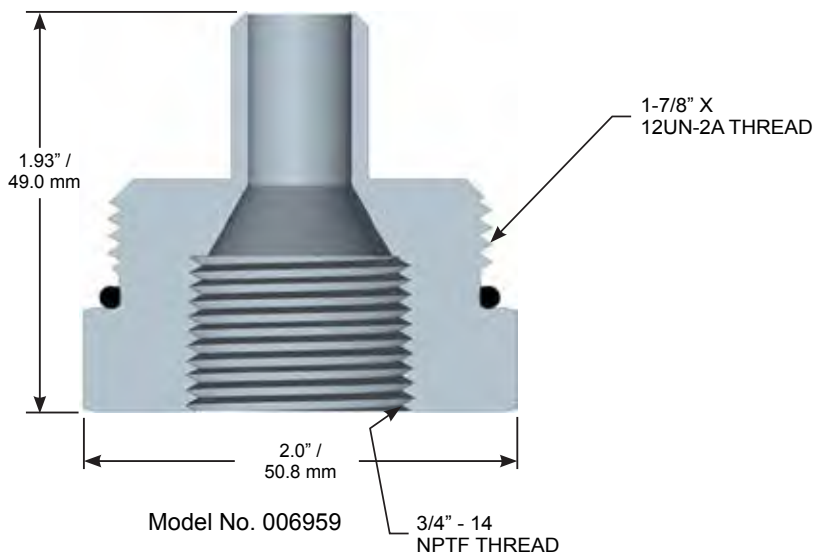
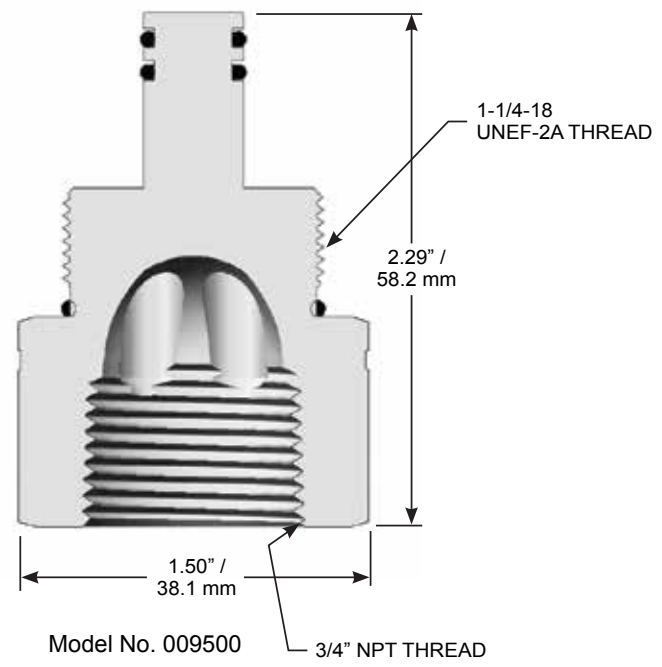
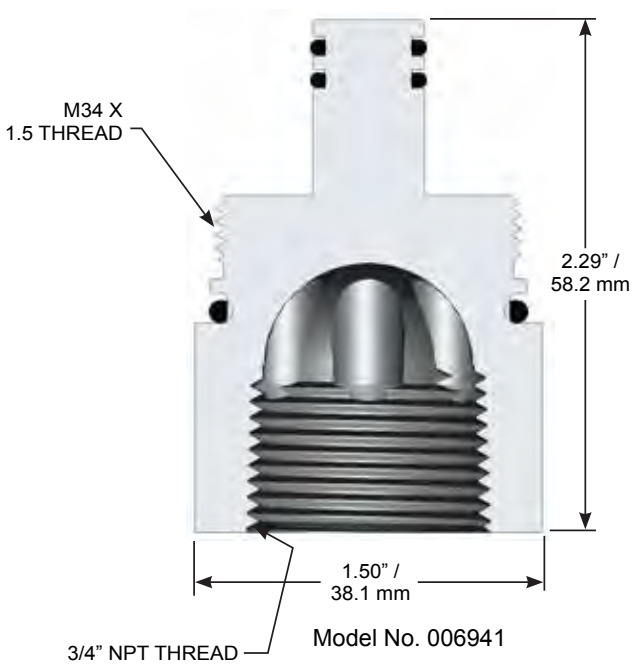


WARNING: Cancer and Reproductive Harm—[www.P65Warnings.ca.gov](http://www.P65Warnings.ca.gov)



## Hose Conversion Adaptor

### Dimensions



2325 Husky Way • Pacific, MO 63069  
 (800) 325-3558 • Fax (636) 825-7300  
[www.husky.com](http://www.husky.com) • [sales@husky.com](mailto:sales@husky.com)

MADE IN THE U.S.A.

# Mobile Fill Neck Device



15-3

TESTING & MAINTENANCE

## Mobile Fill Neck Device For Functional Testing of Automatic Shut-Off Nozzles

- Optimized for assessing nozzle performance by simulating a real-time tank fueling environment
- Equipped with a ball valve for easy drainage and cleanup
- Engineered to have a robust design that ensures longevity
- Folds into a compact size for easy transport and storage
- Built with the leading fill neck in the industry
- Anodized to prevent corrosion
- Unique design aids service technicians with diagnosis of damaged or worn nozzles in the field

### Mobile Fill Neck

MODEL NO.	DESCRIPTION	SHIPPING WEIGHT LBS (KG)
014381	Unleaded Mobile Fill Neck Device	


### Construction

Anodized Aluminum, Stainless Steel, and Brass



*\*Bucket and hanging hardware not included*



 WARNING: Cancer and Reproductive Harm - [www.P65Warnings.ca.gov](http://www.P65Warnings.ca.gov)



# Mobile Fill Neck Device

Mobile Fill Neck Device For Functional Testing of Automatic Shut-Off Nozzles

## Testing and Maintenance Options

### Nozzle Service Kit Accessories

MODEL NO.	DESCRIPTION
006662	Nozzle Service Device (NSD)
007000	Safe-T-Break® Drain Cup
007004*	Fuel Filter Cup
007086	Service Pail
007088	NSD 12" Pliers
007089	Nozzle Service Kit (includes part 006662 NSD, 007000 Safe-T-Break® Drain Cup, 007004, Fuel Filter Cup, 007086 Service Pail, 007088 NSD Pliers, 007332 Shear Valve Wrench and 007098 Fuel Filter Tool)
007098	Fuel Filter Tool (Wrench)
007099	Fuel Filter Service Kit (includes part 007004 Fuel Filter Cup and 007098 Fuel Filter Tool)
007262	Basic Nozzle Service Kit (includes part 006662 NSD, 007000 Safe-T-Break® Drain Cup, 007004, Fuel Filter Cup and 007086 Service Pail)
007263	Deluxe Nozzle Service Kit (includes part 006662 NSD, 007000 Safe-T-Break® Drain Cup, 007004, Fuel Filter Cup, 007086 Service Pail, 007332 Shear Valve Wrench, 007348 Deluxe Service Pliers and 007349 Deluxe Fuel Filter Pliers)
007332	Shear Valve Wrench
007348	Deluxe Service Pliers
007349	Deluxe Fuel Filter Pliers
007350	Deluxe Service Tool Kit (includes 007332 Shear Valve Wrench, 007348 Service Pliers, and 007349 Fuel Filter Pliers)
008071	Fuel Filter Cap with 5" Base

### Color Chart

COLOR	SUFFIX	COLOR	SUFFIX
Blue	-01	White	-06
Red	-02	Gold	-08
Green	-03	Silver	-09
Black	-04	BP Green	-16
Yellow	-05	Pink	-20

\*Safe-T-Breaks® and Safe-T-Break® Scuff Guards are to be ordered with the corresponding guard color option added to the model number.

Example: If BLUE guards are desired, add guard color option -01 to the model number (004034-01).

For custom colors, a minimum order of 4,000 guards will be required.



Part No. 007086



Part No. 007000



Part No. 007004



Part No. 006662



2325 Husky Way • Pacific, MO 63069  
 (800) 325-3558 • Fax (636) 825-7300  
[www.husky.com](http://www.husky.com) • [sales@husky.com](mailto:sales@husky.com)

MADE IN THE U.S.A.



GENERAL FUELING PRODUCTS

# Flo-Equalizers™

# FLO-Equalizer®



**Husky Flo-Equalizers® limit fuel flow to a maximum 10 gpm / 37.9 Lpm to comply with Comprehensive Environmental Response, Compensation, and Liability Act.**

- All Husky Flo-Equalizers® are pressure compensating and allow full advantage of high capacity pumps.
- Low pressure loss at flows less than 10 gpm / 37.9 Lpm.

**Model 004490**

- For conventional systems.
- Installs in-line within the fuel line.
- Comes standard with pipe nipple for easy installation.

**Model 005827**

- For balance vapor recovery systems.
- Installs directly into the dispenser outlet casting.

**Model 005837**

- For vacuum assist vapor recovery systems.
- Installs directly into the dispenser outlet casting.

**Model 007490**

- For conventional nozzles with 3/4" / 19 mm inlet.
- Installs into nozzle inlet.

**Flo-Equalizer®**

MODEL NO.	DESCRIPTION	SHIPPING WEIGHT LBS (KG)
004490	3/4" F x 3/4" F NPT threads	.37 (0.16)
005827	1 1/8" x 12 threads	.43 (0.19)
005837	M34 x 1.5 threads	.37 (0.16)
007490	Internal use only	.02 (0.01)

**Construction**

Body	004490, 005827 and 005837: Aluminum 007490: Plastic
Seals	004490 and 700490: N/A 005827 and 005837: Fluorocarbon



**Model 004490**



**Model 007490**



**Model 005827**



**Model 005837**

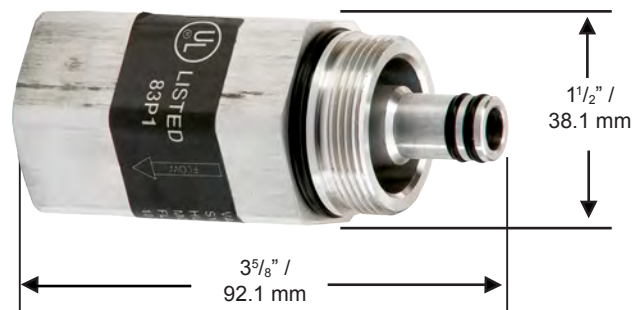
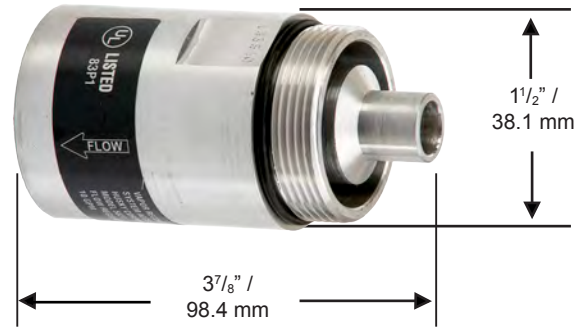


⚠ WARNING: Cancer and Reproductive Harm - www.P65Warnings.ca.gov



Husky Flo-Equalizers® limit fuel flow to a maximum 10 gpm / 37.9 Lpm to comply with Comprehensive Environmental Response, Compensation, and Liability Act.

## Dimensions



2325 Husky Way • Pacific, MO 63069  
 (800) 325-3558 • Fax (636) 825-7300  
[www.husky.com](http://www.husky.com) • [sales@husky.com](mailto:sales@husky.com)

MADE IN THE U.S.A. 



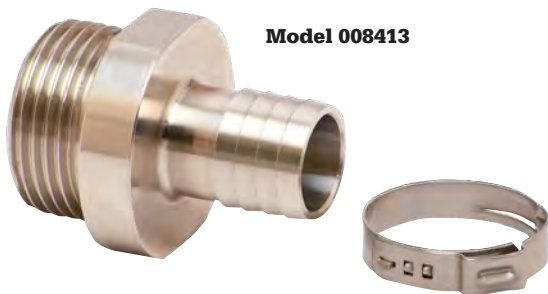
**Husky**<sup>®</sup>

GENERAL FUELING PRODUCTS

# DEF Adaptors

## Diesel Exhaust Fueling Adaptors.

- 007214, 007285, 007356, 008413, 010579, 010675, 011477 and 012872 adaptors have stainless steel construction.
- 010227, 010549, 010551 and 010553 adaptors have polymer construction.
- 007214, 007285, 007356 and 008413 adaptors are UL recognized components and certified for DEF.



## Diesel Exhaust Adaptors


MODEL NO.	DESCRIPTION	SHIPPING WEIGHT LBS (KG)
007214	Hose Barb 3/4" ID Hose x 3/4" BSPP with Seal Kit	.22 (.10)
007285	1" M x 1" M BSPP Straight Adaptor	.29 (.13)
007356	1" M BSPP x M M34 Straight Adaptor	.30 (.13)
008413	Hose Barb 3/4" ID Hose x 1" BSPP with Seal Kit	.29 (.13)
010227	1" F BSPP Adaptor	.20 (.10)
010549	1" F BSPP x 1" NPT Adaptor	.20 (.10)
010551	1" F BSPP x 3/4" NPT Adaptor	.20 (.10)
010553	1" F BSPP x 3/4" BSP Adaptor	.20 (.10)
010579	1" F BSPP x 3/4" Hose Barb Adaptor	.20 (.10)
010675	1" F x 1" F BSPP Straight Adaptor	.20 (.10)
011477	1" M BSPP x 3/4" F NPT Straight Adaptor	.22 (.10)
012872	1" M BSPP x 3/4" F BSPP Straight Adaptor	.22 (.10)

**Model 007356**



**Model 007285**



 WARNING: Cancer and Reproductive Harm - [www.P65Warnings.ca.gov](http://www.P65Warnings.ca.gov)

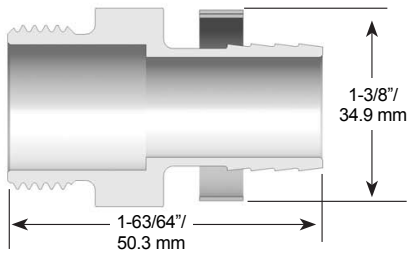
## Diesel Exhaust Fueling Adaptors.

# Dimensions and System Options

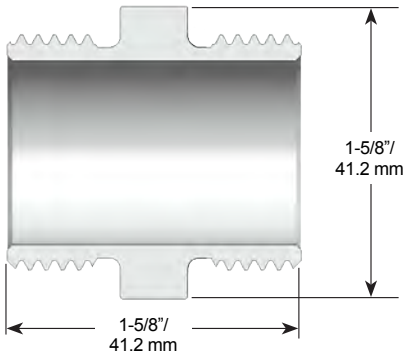
### Accessories

MODEL NO.	DESCRIPTION
007406	3/4" DEF Seal Kit
007407	1" DEF Seal Kit

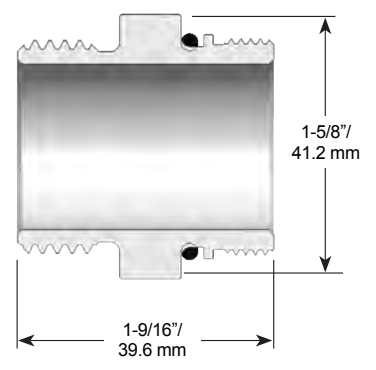
**Model 007214**



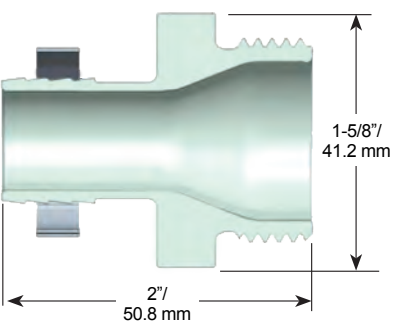
**Model 007285**



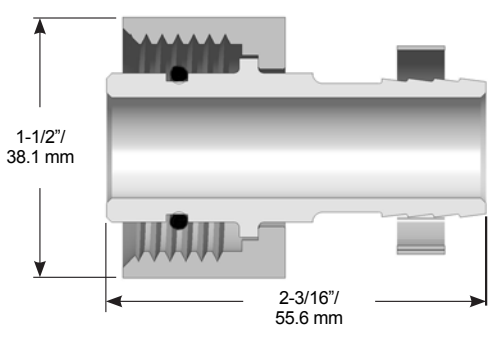
**Model 007356**



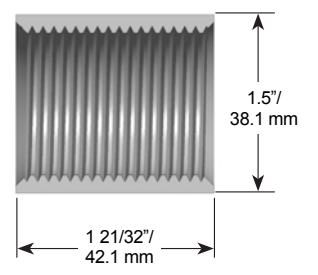
**Model 008413**



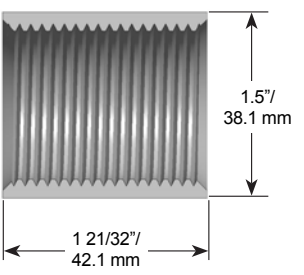
**Model 010579**



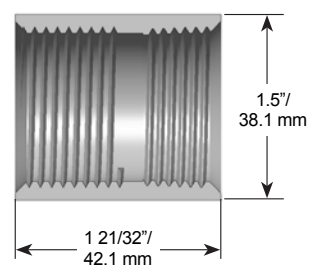
**Model 010675**



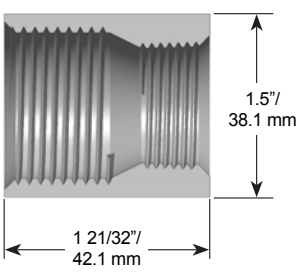
**Model 010227**



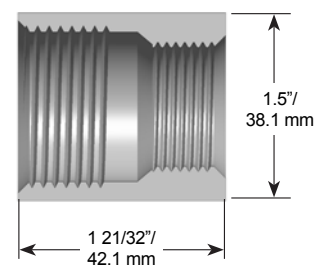
**Model 010549**



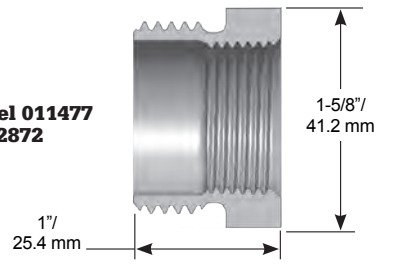
**Model 010551**



**Model 010553**



**Model 011477 & 012872**



2325 Husky Way • Pacific, MO 63069  
 (800) 325-3558 • Fax (636) 825-7300  
[www.husky.com](http://www.husky.com) • [sales@husky.com](mailto:sales@husky.com)

MADE IN THE U.S.A.



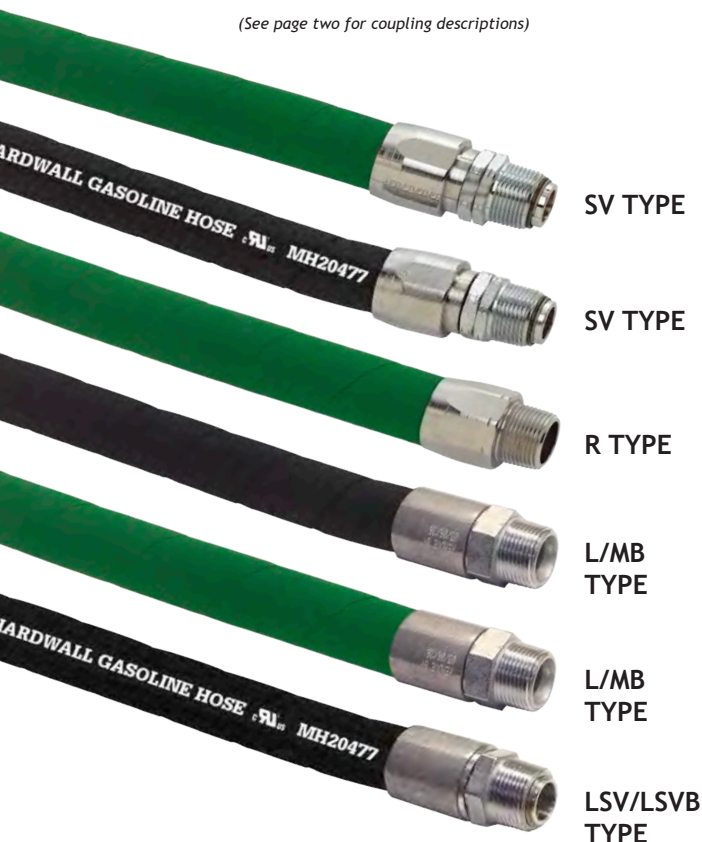
GENERAL FUELING PRODUCTS

# Hoses

## Premium Hardwall Gasoline Pump Hose.

- Recommended anywhere a hardwall hose is required.
- Resists kinking and eliminates meter creep.
- Recommended for all gasoline/ Ethanol blends at Ethanol levels designated as “gasohol” (E15 maximum or less), diesel fuel and diesel fuel/biodiesel blends with nominal biodiesel concentrations up to 20% (B0-B20), kerosene and fuel oil (heating oil), leaded and unleaded gasoline.
- Improves ozone and abrasion resistance while providing increased life.
- Designed for durability, flexibility, and easy handling.
- Improves draping and handling characteristics.
- Highly resistant to cuts, abrasions, sun and weather.
- Will not mark or scratch vehicle finishes.
- Hose material is private branded and UL Listed to UL 330 and CAN/ULC-S612-99.
- All curb pump hose assemblies are 100% pressure tested, inspected for electrical continuity and sample pull tested.

(See page two for coupling descriptions)



## Hardwall Hoses

MODEL NO.	DESCRIPTION	SHIPPING WEIGHT LBS (KG)
<b>5/8" HOSES</b>		
CP10HW01	5/8" Hardwall 1' Assembly Hose	0.39 (0.58)
CP10HW09	5/8" Hardwall 9' Assembly Hose	3.5 (1.6)
<b>3/4" HOSES</b>		
CP12HWG08	3/4" GreenHardwall 8' Assembly Hose	3.8 (1.7)
CP12HWG09	3/4" Green Hardwall 9' Assembly Hose	4.2 (1.9)
CP12HWG09SV	3/4" Green Hardwall 9' Assembly Hose Swivel	4.2 (1.9)
CP12HWG10	3/4" Green Hardwall 10' Assembly Hose	4.7 (2.1)
CP12HWG12SV	3/4" Green Hardwall 12' Assembly Hose Swivel	5.6 (2.5)
CP12HW09	3/4" Hardwall 9' Assembly Hose	4.2 (1.9)
CP12HW09.5	3/4" Hardwall 9.5' Assembly Hose	4.5 (2.0)
CP12HW09SV	3/4" Hardwall 9' Assembly Hose Swivel	4.2 (1.9)
CP12HW12	3/4" Hardwall 12' Assembly Hose	5.6 (2.5)
CP12HW14	3/4" Hardwall 14' Assembly Hose	6.6 (3.0)
CP12HW14X	3/4" Hardwall 14' Assembly Hose Bulk	6.6 (3.0)
CP12HW15X	3/4" Hardwall 14' Assembly Hose Bulk	6.6 (3.0)
CP12HW17	3/4" Hardwall 17' Assembly Hose	8.0 (3.6)
CP12HW9.5X	3/4" Hardwall 9.5' Assembly Hose Bulk	4.5 (2.0)
CP12HW01L	3/4" Hardwall 14' Assembly Hose	6.6 (3.0)
CP12HWR01L	3/4" Hardwall 14' Assembly Hose	6.6 (3.0)
CP12HW01LSV	3/4" Hardwall 14' Assembly Hose	6.6 (3.0)

## 1" HOSES

CP16HW01	1" Hardwall 1' Assembly Hose	0.64 (0.95)
CP16HW06	1" Hardwall 6' Assembly Hose	3.8 (1.7)
CP16HW10	1" Hardwall 10' Assembly Hose	6.4 (2.9)
CP16HW10X	1" Hardwall 10' Assembly Hose Bulk	6.4 (2.9)
CP16HW15	1" Hardwall 15' Assembly Hose	9.6 (4.4)
CP16HW15X	1" Hardwall 15' Assembly Hose Bulk	9.6 (4.4)
CP16HW17	1" Hardwall 17' Assembly Hose	10.9 (4.9)
CP16HW20X	1" Hardwall 20' Assembly Hose Bulk	12.8 (5.8)

## Construction

Tube	Black Nitrile
Cover	Black CPE (chlorinated polyethylene), wrap impression
Reinforcement	Multiple textile braids with dual static wire helix
Temperature Range	-40° F to +180° F (-40° C to +82° C)
Body	3/4" Green Hardwall Available



WARNING: Cancer and Reproductive Harm - www.P65Warnings.ca.gov





# EagleFlex® Hardwall

**Premium Hardwall Gasoline Pump Hose.**

## System Options

### Available in these Sizes

ID	NOM OD		MAX WP		WEIGHT		
Size	MM	IN	MM	PSI	MPA	LB/FT	KG/M
5/8"	16	1.03	26	150	1.03	0.39	0.58
3/4"	19	1.17	30	150	1.03	0.47	0.70
1"	25	1.45	37	150	1.03	0.64	0.95

### Couplings

Permanent internally expanded fixed chrome plated brass or external crimp zinc (L type).

Reattachable fixed (R type) and reattachable swivel (SV type) 3/4" and 1" male NPT. UL does not recognize field installation of reattachable fittings.

External crimp zinc swivel 3/4" and 1" male NPT one side, fixed other side (L SV type) or swivel 3/4" male BSPP, fixed NPT other side (L SVB type).

External crimp zinc swivels on both sides ( L SV SV, L SV SVB, or L SVB SVB type).

External crimp aluminum 1" male BSPP both ends (MB type).

External crimp aluminum 1" male BSPP one end, external crimp unplated zinc 1" male NPT other end (L MB type).



2325 Husky Way • Pacific, MO 63069  
 (800) 325-3558 • Fax (636) 825-7300  
[www.husky.com](http://www.husky.com) • [sales@husky.com](mailto:sales@husky.com)

MADE IN THE U.S.A.

### Softwall Gasoline Pump Hose.

- A lightweight, flexible hose for use when a hardwall hose is inappropriate.
- Recommended for all gasoline and gasoline/Ethanol blends at Ethanol levels designated as “gasohol” (E15 maximum or less), diesel fuel and diesel fuel/biodiesel blends with nominal biodiesel concentrations up to 20% (B0-B20), kerosene and fuel oil (heating oil), leaded and unleaded gasoline.
- Excellent strength without sacrificing flexibility.
- Highly resistant to cuts, abrasions, sun and weather.
- Smooth cover will not mark or scratch vehicle finishes.
- All curb pump hose assemblies are 100% pressure tested, inspected for electrical continuity and sample pull tested.



### Softwall Hoses

MODEL NO.	DESCRIPTION	SHIPPING WEIGHT LBS (KG)
<b>3/4" HOSES</b>		
CP12SW04X	3/4" Softwall 4' Assembly Hose Bulk	1.4 (0.6)
CP12SW09	3/4" Softwall 9' Assembly Hose	3.1 (1.4)
CP12SW10	3/4" Softwall 10' Assembly Hose	3.4 (1.5)
CP12SW10X	3/4" Softwall 10' Assembly Hose Bulk	3.4 (1.5)
CP12SW12	3/4" Softwall 12' Assembly Hose	4.1 (1.9)
CP12SW14	3/4" Softwall 14' Assembly Hose	4.8 (2.2)
CP12SW14X	3/4" Softwall 14' Assembly Hose Bulk	4.8 (2.2)
CP12SW17	3/4" Softwall 17' Assembly Hose	5.8 (2.6)
CP12SW20	3/4" Softwall 20' Assembly Hose	6.8 (3.1)
CP12SW30	3/4" Softwall 30' Assembly Hose	10.2 (4.6)
CP12SW40	3/4" Softwall 40' Assembly Hose	13.6 (6.2)
CP12SW50	3/4" Softwall 50' Assembly Hose	17.0 (7.7)
CP12SW9.5	3/4" Softwall 9.5' Assembly Hose	3.2 (1.5)
<b>1" HOSES</b>		
CP16SW10	1" Softwall 10' Assembly Hose	4.7 (2.1)
CP16SW11	1" Softwall 11' Assembly Hose	5.2 (2.4)
CP16SW12	1" Softwall 12' Assembly Hose	5.6 (2.5)
CP16SW14	1" Softwall 14' Assembly Hose	6.6 (3.0)
CP16SW14X	1" Softwall 14' Assembly Hose Bulk	6.6 (3.0)
CP16SW17	1" Softwall 17' Assembly Hose	8.0 (3.6)
CP16SW20	1" Softwall 20' Assembly Hose	9.4 (4.3)
CP16SW20X	1" Softwall 20' Assembly Hose Bulk	9.4 (4.3)
CP16SW60	1" Softwall 60' Assembly Hose	28.2 (12.8)

### Construction

Tube	Black Nitrile
Cover	Black CPE (chlorinated polyethylene), smooth finish
Reinforcement	Multiple textile braids static wire
Temperature Range	-40° F to +180° F (-40° C to +82° C)



WARNING: Cancer and Reproductive Harm - www.P65Warnings.ca.gov



## Softwall Gasoline Pump Hose.

## System Options

### Available in these Sizes

ID	NOM OD		MAX WP		WEIGHT		
Size	MM	IN	MM	PSI	MPA	LB/FT	KG/M
3/4"	19	1.10	28	150	1.03	0.34	0.51
1"	25	1.39	35	150	1.03	0.47	0.63

### Couplings

Permanent internally expanded fixed 3/4" and 1" male NPT chrome plated brass or external crimp zinc (L type).

Swivel couplings are not available with softwall hose.



2325 Husky Way • Pacific, MO 63069  
 (800) 325-3558 • Fax (636) 825-7300  
[www.husky.com](http://www.husky.com) • [sales@husky.com](mailto:sales@husky.com)

MADE IN THE U.S.A. 

## Wirebraid Gasoline Pump Hose.

- Recommended anywhere a hardwall or softwall hose is appropriate.
- Recommended for all gasoline and gasoline/Ethanol blends at Ethanol levels designated as “gasohol” (E15 maximum or less), diesel fuel and diesel fuel/biodiesel blends with nominal biodiesel concentrations up to 20% (B0-B20), kerosene and fuel oil (heating oil), leaded and unleaded gasoline.
- Resistant to crushing and stands up to run-over.
- Highly resistant to cuts, abrasions, sun and weather.
- Flexibility of a softwall, durability of a hardwall.
- Assures accurate readings at the pump.
- Will not mark or scratch vehicle finishes.
- Hose material is private branded and UL Listed to UL 330 and CAN/ULC-S612-99.
- All curb pump hose assemblies are 100% pressure tested, inspected for electrical continuity and sample pull tested.

(See page two for coupling descriptions)



## Wirebraid Hoses

MODEL NO.	DESCRIPTION	SHIPPING WEIGHT LBS (KG)
<b>5/8" HOSES</b>		
CP10WB08	5/8" Wirebraid 8' Assembly Hose	2.8 (1.3)
CP10WB09	5/8" Wirebraid 9' Assembly Hose	0.26 (0.12)
CP10WB09.5	5/8" Wirebraid 9.5' Assembly Hose	3.3 (1.5)
CP10WB10	5/8" Wirebraid 10' Assembly Hose	3.5 (1.6)
CP10WB14	5/8" Wirebraid 14' Assembly Hose	4.9 (2.2)
CP10WB9.5X	5/8" Wirebraid 9.5' Assembly Hose Bulk	3.3 (1.5)
<b>3/4" HOSES</b>		
CP12WB04	3/4" Wirebraid 4' Assembly Hose	1.7 (0.8)
CP12WB05	3/4" Wirebraid 5' Assembly Hose	2.1 (1.0)
CP12WB06	3/4" Wirebraid 6' Assembly Hose	2.5 (1.1)
CP12WB08	3/4" Wirebraid 8' Assembly Hose	3.4 (1.5)
CP12WB09	3/4" Wirebraid 9' Assembly Hose	3.8 (1.7)
CP12WB09SV	3/4" Wirebraid 9' Assembly Hose Swivel	3.8 (1.7)
CP12WB10	3/4" Wirebraid 10' Assembly Hose	4.2 (1.9)
CP12WB10X	3/4" Wirebraid 10' Assembly Hose Bulk	4.2 (1.9)
CP12WB12	3/4" Wirebraid 12' Assembly Hose	5.0 (2.3)
CP12WB12SV	3/4" Wirebraid 12' Assembly Hose Swivel	5.0 (2.3)
CP12WB12X	3/4" Wirebraid 12' Assembly Hose Bulk	5.0 (2.3)
CP12WB14	3/4" Wirebraid 14' Assembly Hose	5.9 (2.7)
CP12WB15SV	3/4" Wirebraid 15' Assembly Hose Swivel	6.3 (2.9)
CP12WB16	3/4" Wirebraid 16' Assembly Hose	6.7 (3.0)
CP12WB20	3/4" Wirebraid 20' Assembly Hose	8.4 (3.8)
CP12WB50X	3/4" Wirebraid 50' Assembly Hose Bulk	21.0 (9.5)
CP12WB01L	3/4" Wirebraid 14' Assembly Hose	5.9 (2.7)
CP12WB01SV	3/4" Wirebraid 14' Assembly Hose Swivel	5.9 (2.7)
CP12WB01LSV	3/4" Wirebraid 14' Assembly Hose Swivel	5.9 (2.7)
<b>1" HOSES</b>		
CP16WB04	1" Wirebraid 4' Assembly Hose	2.0 (0.9)
CP16WB06	1" Wirebraid 6' Assembly Hose	3.0 (1.4)
CP16WB08	1" Wirebraid 8' Assembly Hose	4.0 (1.8)
CP16WB09	1" Wirebraid 9' Assembly Hose	4.5 (2.0)
CP16WB10	1" Wirebraid 10' Assembly Hose	5.0 (2.3)
CP16WB10X	1" Wirebraid 10' Assembly Hose Bulk	5.0 (2.3)
CP16WB100SV	1" Wirebraid 100' Assembly Hose Swivel	50.0 (22.7)
CP16WB100SVSV	1" Wirebraid 100' Assembly Hose w/ Swivel on both ends	50.0 (22.7)
CP16WB12	1" Wirebraid 12' Assembly Hose	6.0 (2.7)
CP16WB12SV	1" Wirebraid 12' Assembly Hose Swivel	6.0 (2.7)
CP16WB13	1" Wirebraid 13' Assembly Hose	6.5 (3.0)
CP16WB14	1" Wirebraid 14' Assembly Hose	7.0 (3.2)
CP16WB14X	1" Wirebraid 14' Assembly Hose Bulk	7.0 (3.2)
CP16WB16	1" Wirebraid 16' Assembly Hose	8.0 (3.6)
CP16WB18	1" Wirebraid 18' Assembly Hose	9.0 (4.1)
CP16WB18X	1" Wirebraid 18' Assembly Hose Bulk	9.0 (4.1)
CP16WB20	1" Wirebraid 20' Assembly Hose	10.0 (4.5)
CP16WB20X	1" Wirebraid 20' Assembly Hose Bulk	10.0 (4.5)
CP16WB30	1" Wirebraid 30' Assembly Hose	15.0 (6.8)
CP16WB50SV	1" Wirebraid 50' Assembly Hose Swivel	25.0 (11.3)

## Construction

Tube	Black Nitrile
Cover	Black CPE (chlorinated polyethylene), wrap impression
Reinforcement	One wirebraid with full diameter grounding sheath
Temperature Range	-40° F to +180° F (-40° C to +82° C)



WARNING: Cancer and Reproductive Harm - www.P65Warnings.ca.gov

**Husky**

GENERAL FUELING PRODUCTS

**EagleFlex® Wirebraid****Wirebraid Gasoline Pump Hose.****System Options****Available in these Sizes**

ID	NOM OD		MAX WP		WEIGHT		
Size	MM	IN	MM	PSI	MPA	LB/FT	KG/M
5/8"	16	0.97	25	150	1.03	0.35	0.52
3/4"	19	1.10	28	150	1.03	0.42	0.63
1"	25	1.34	34	150	1.03	0.50	0.74

**Couplings**

Permanent internally expanded fixed chrome plated brass (X type) or external crimp zinc (L type).

Reattachable fixed (R type) and reattachable swivel (SV type) 3/4" and 1" male NPT. UL does not recognize field installation of reattachable fittings.

External crimp zinc swivel 3/4" and 1" male NPT (L SV type) or 3/4" male BSPP (L SVB type).



2325 Husky Way • Pacific, MO 63069  
 (800) 325-3558 • Fax (636) 825-7300  
[www.husky.com](http://www.husky.com) • [sales@husky.com](mailto:sales@husky.com)

MADE IN THE U.S.A.



### Gasoline Hose Assemblies with Static Wire.

- Designed for durability and flexibility.
- Oil and abrasion resistant.
- Supplied with static wire.
- Recommended for use with electric pumps.
- Static wire hose always recommended with electric motors.
- Designed for use in agricultural, industrial and construction maintenance applications.
- Engineered for dispensing gasoline, diesel, kerosene and oil from farm and barrel-type pumps where UL approval is not required.
- Curb pump hose recommended for:
  - UL Listed hose material requirements.
  - For high aromatics or severe applications.
- All Farm Tank hose assemblies are 100% inspected for electrical continuity.
- Do not use these hoses at a service station or to refuel aircraft.


### Farm Fueling Hoses

MODEL NO.	DESCRIPTION	SHIPPING WEIGHT LBS (KG)
<b>3/4" HOSES</b>		
FT012S10	3/4" x 10' Farm Tank Assembly Hose Bulk	2.9 (1.3)
FT012S12	3/4" x 12' Farm Tank Assembly Hose Bulk	3.5 (1.6)
FT012S12B	3/4" x 12' Farm Tank Assembly Hose Boxed	3.5 (1.6)
FT012S14	3/4" x 14' Farm Tank Assembly Hose Bulk	4.1 (1.9)
FT012S14B	3/4" x 14' Farm Tank Assembly Hose Boxed	4.1 (1.9)
FT012S15	3/4" x 15' Farm Tank Assembly Hose Bulk	4.4 (2.0)
FT012S15B	3/4" x 15' Farm Tank Assembly Hose Boxed	4.4 (2.0)
FT012S17	3/4" x 17' Farm Tank Assembly Hose Bulk	4.9 (2.2)
FT012S20	3/4" x 20' Farm Tank Assembly Hose Bulk	5.8 (2.6)
FT012S20B	3/4" x 20' Farm Tank Assembly Hose Boxed	5.8 (2.6)
<b>1" HOSES</b>		
FT016S10	1" x 10' Farm Tank Assembly Hose Bulk	4.5 (2.0)
FT016S12	1" x 12' Farm Tank Assembly Hose Bulk	5.4 (2.4)
FT016S12B	1" x 12' Farm Tank Assembly Hose Boxed	5.4 (2.4)
FT016S14	1" x 14' Farm Tank Assembly Hose Bulk	6.3 (2.9)
FT016S15	1" x 15' Farm Tank Assembly Hose Bulk	6.8 (3.1)
FT016S15B	1" x 15' Farm Tank Assembly Hose Boxed	6.8 (3.1)
FT016S17	1" x 17' Farm Tank Assembly Hose Bulk	7.7 (3.5)
FT016S20	1" x 20' Farm Tank Assembly Hose Bulk	9.0 (4.1)
FT016S20B	1" x 20' Farm Tank Assembly Hose Boxed	9.0 (4.1)
FT016S25	1" x 25' Farm Tank Assembly Hose Bulk	11.3 (5.1)

### Construction

Tube	NBR, RMA Class A
Cover	NBR/PVC RMA Class A
Reinforcement	Spiral high tensile strength polyester cord
Temperature Range	-20°F to +160°F (-29°C to +71°C)



 WARNING: Cancer and Reproductive Harm - www.P65Warnings.ca.gov



**Husky**

GENERAL FUELING PRODUCTS

# EagleFlex<sup>®</sup> Farm Tank

Gasoline Hose Assemblies with Static Wire.

## System Options

### Available in these Sizes

ID	NOM OD		WEIGHT		
Size	MM	IN	MM	LB/FT	KG/M
3/4"	19	1.13	29	0.29	0.43
1"	25	1.38	35	0.45	0.67

### Couplings

Permanent externally crimped 3/4" and 1" NPT.



2325 Husky Way • Pacific, MO 63069  
 (800) 325-3558 • Fax (636) 825-7300  
[www.husky.com](http://www.husky.com) • [sales@husky.com](mailto:sales@husky.com)

MADE IN THE U.S.A. 

**HARDWALL WHIP HOSE:**

- Recommended anywhere a hardwall hose is required.
- Highly resistant to cuts, abrasions, sun and weather.
- Improves ozone and abrasion resistance while providing increased life.

**WIREBRAID WHIP HOSE:**

- Recommended anywhere a hardwall or softwall hose is inappropriate.
- Provides full flow with no internal spring guards and will withstand full suction.
- Highly resistant to cuts, abrasions, sun and weather.
- Flexibility of a softwall, durability of a hardwall.

**SOFTWALL WHIP HOSE:**

- A lightweight, flexible hose for use when a hardwall hose is inappropriate.
- Highly resistant to cuts, abrasions, sun and weather.

**ALL WHIP HOSES:**

- Recommended for all gasoline and gasoline/Ethanol blends at Ethanol levels designated as “gasohol” (E15 maximum or less), diesel fuel and diesel fuel/biodiesel blends with nominal biodiesel concentrations up to 20% (B0-B20), kerosene and fuel oil (heating oil), leaded and unleaded gasoline.
- Hose Material is private branded and UL listed.
- All curb pump hose assemblies are 100% pressure tested, inspected for electrical continuity and sample pull tested.

**Whip Hoses**

MODEL NO.	DESCRIPTION	SHIPPING WEIGHT LBS (KG)
<b>5/8" HOSES</b>		
CP10HW.75	5/8" Hardwall 9" Assembly Hose	0.3 (0.14)
CP10HW.75L	5/8" Hardwall low cost 9" Assembly Hose	0.3 (0.14)
CP10WB.75M	5/8" Wirebraided medium cost 9" Assembly Hose	0.3 (0.14)
CP10WB.75SV	5/8" Wirebraided Swivel 9" Assembly Hose	0.3 (0.14)
CP10WB.75LSV	5/8" Wirebraided low cost Swivel 9" Assembly Hose	0.3 (0.14)
<b>3/4" HOSES</b>		
CP12HW.75	3/4" Hardwall 9" Assembly Hose	0.3 (0.14)
CP12HWG.75	3/4" Green Hardwall 9" Assembly Hose	0.3 (0.14)
CP12HW.75L	3/4" Hardwall low cost 9" Assembly Hose	0.3 (0.14)
CP12HW.75SV	3/4" Hardwall Swivel 9" Assembly Hose	0.3 (0.14)
CP12WB.75L	3/4" Wirebraided low cost 9" Assembly Hose	0.3 (0.14)
CP12WB.75SV	3/4" Wirebraided Swivel 9" Assembly Hose	0.3 (0.14)
<b>1" HOSES</b>		
CP16HW.75	1" Hardwall 9" Assembly Hose	0.5 (0.23)
CP16HW.75L	1" Hardwall low cost 9" Assembly Hose	0.5 (0.23)
CP16HW.75SV	1" Hardwall Swivel 9" Assembly Hose	0.5 (0.23)
CP16WB.75L	1" Wirebraided low cost 9" Assembly Hose	0.5 (0.23)
CP16WB.75SV	1" Wirebraided Swivel 9" Assembly Hose	0.5 (0.23)



WARNING: Cancer and Reproductive Harm - www.P65Warnings.ca.gov



# Whip Hoses

## Dimension



2325 Husky Way • Pacific, MO 63069  
(800) 325-3558 • Fax (636) 825-7300  
[www.husky.com](http://www.husky.com) • [sales@husky.com](mailto:sales@husky.com)

MADE IN THE U.S.A. 

## DEF hose assemblies without static wire.

- Designed for durability and flexibility.
- Abrasion resistant.
- Supplied without static wire.
- Recommended for use with electric pumps or dispensers.
- Designed for any DEF dispensing applications.
- Engineered for dispensing DEF where UL approval is not required.
- Curb pump hose recommended for:
  - UL Listed hose material requirements.
  - For high aromatics or severe applications.
- All DEF hose assemblies are 100% inspected for pressure to 50 psi.

(See page two for coupling descriptions)



GP/GPM TYPE

AN TYPE

ANB/ANF TYPE

ANF/ANMF TYPE


## DEF Fueling Hoses

MODEL NO.	DESCRIPTION	SHIPPING WEIGHT LBS (KG)
<b>3/4" HOSES</b>		
CP12DF10GP	3/4" x 10' DEF Assembly Hose	2.9 (1.3)
CP12DF12GP	3/4" x 12' DEF Assembly Hose	3.5 (1.6)
CP12DF12GPX	3/4" x 12' DEF Assembly Hose Bulk	3.5 (1.6)
CP12DF14GP	3/4" x 14' DEF Assembly Hose	4.1 (1.9)
CP12DF14GPX	3/4" x 14' DEF Assembly Hose Bulk	4.1 (1.9)
CP12DF15GP	3/4" x 15' DEF Assembly Hose	4.4 (2.0)
CP12DF15GPX	3/4" x 15' DEF Assembly Hose Bulk	4.4 (2.0)
CP12DF17GP	3/4" x 17' DEF Assembly Hose	4.9 (2.2)
CP12DF20GP	3/4" x 20' DEF Assembly Hose	5.8 (2.6)
CP12DF20GPX	3/4" x 20' DEF Assembly Hose Bulk	5.8 (2.6)
CP12DF10AN	3/4" x 10' DEF Assembly Hose w/ 3/4" NPT aluminum fittings	2.9 (1.3)
CP12DF10ANB	3/4" x 10' DEF Assembly Hose with 3/4" BSPP Aluminum Fittings	2.9 (1.3)
CP12DF10ANF	3/4" x 10' DEF Assembly Hose with 1" Female BSPP Fittings	2.9 (1.3)

## Construction

Tube	Black customized peroxide-cured EPDM
Cover	Black customized EPDM with smooth finish
Reinforcement	Multiple textile plies
Temperature Range	-40° F to +212° F (-40° C to +100° C)



 WARNING: Cancer and Reproductive Harm - [www.P65Warnings.ca.gov](http://www.P65Warnings.ca.gov)



**DEF hose assemblies without static wire.**

## System Options

### Available in these Sizes

ID	NOM OD		MAX WP		WEIGHT		
Size	MM	IN	MM	LB/FT	KG/M	LB/FT	KG/M
3/4"	19	1.13	29	150	1.03	0.29	0.43

### Couplings

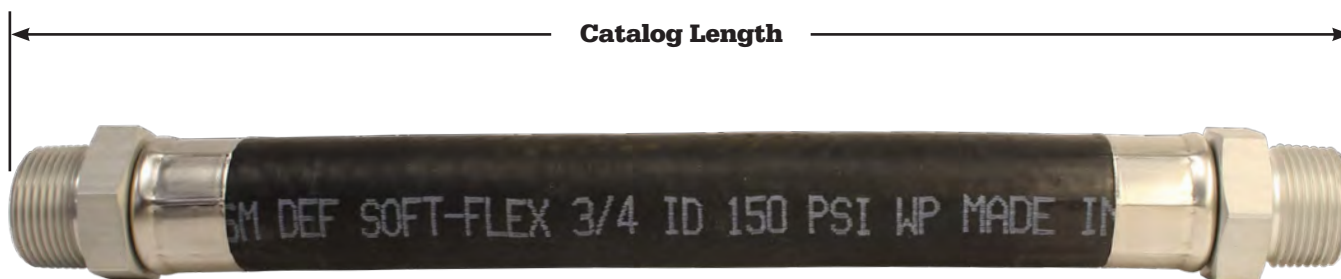
Permanent externally crimped 3/4" NPT polypropylene stem with brass ferrule (GP type) or 3/4" BSPP (GPM type)

Permanent externally crimped 3/4" NPT anodized aluminum stem with stainless steel ferrule (AN type)

Permanent externally crimped 3/4" BSPP anodized aluminum stem with stainless steel ferrule (ANB type)

Permanent externally crimped 1" female BSPP anodized aluminum stem with stainless steel ferrule (ANF type)

Permanent externally crimped 1" female & 3/4" male BSPP anodized aluminum stems with stainless steel ferrules (ANB type)



2325 Husky Way • Pacific, MO 63069  
 (800) 325-3558 • Fax (636) 825-7300  
[www.husky.com](http://www.husky.com) • [sales@husky.com](mailto:sales@husky.com)

MADE IN THE U.S.A. 

### Premium Low Permeation Hardwall Gasoline Pump Hose.

- Recommended anywhere a hardwall hose is required.
- Recommended for all gasoline and gasoline/Ethanol blends at Ethanol levels designated as “gasohol” (E15 maximum or less), diesel fuel and diesel fuel/biodiesel blends with nominal biodiesel concentrations up to 20% (B0-B20), kerosene and fuel oil (heating oil), leaded and unleaded gasoline where low permeation ( $\leq 10\text{g}/\text{m}^2/\text{day}$ ) is required.
- Designed for durability, flexibility, and easy handling.
- Highly resistant to cuts, abrasions, sun and weather.
- Resists kinking and eliminates meter creep.
- Improves ozone and abrasion resistance while providing increased life.
- Improves draping and handling characteristics.
- Will not mark or scratch vehicle finishes.
- Hose material is private branded and UL Listed to UL 330 for low permeation.
- All curb pump hose assemblies are 100% pressure tested, inspected for electrical continuity and sample pull tested.


### Low Perm Hardwall Hoses

MODEL NO.	DESCRIPTION	SHIPPING WEIGHT LBS (KG)
<b>5/8" LP HOSES</b>		
CP10LP8.5	5/8" Low Perm Hardwall 8.5' Assembly Hose	3.8 (1.7)
CP10LP10	5/8" Low Perm Hardwall 10' Assembly Hose	4.7 (2.1)
<b>3/4" LP HOSES</b>		
CP12LP8.5	3/4" Low Perm Hardwall 8.5' Assembly Hose	3.8 (1.7)
CP12LP8.5SV	3/4" Low Perm Hardwall 8.5' Assembly Hose Swivel	4.2 (1.9)
CP12LP9	3/4" Low Perm Hardwall 9' Assembly Hose	4.2 (1.9)
CP12LP9SV	3/4" Low Perm Hardwall 9' Assembly Hose Swivel	4.7 (2.1)
<b>1" LP HOSES</b>		
CP16LP8	1" Low Perm Hardwall 8' Assembly Hose	6.4 (2.9)
CP16LP14	1" Low Perm Hardwall 14' Assembly Hose	9.6 (4.4)

### Construction

Tube	Black Nitrile
Cover	Black CPE (Chlorinated Polyethylene), wrap impression
Reinforcement	Multiple textile braids with dual static wire helix
Temperature Range	-40° F to +180° F (-40° C to +82° C)



 WARNING: Cancer and Reproductive Harm - [www.P65Warnings.ca.gov](http://www.P65Warnings.ca.gov)



**Husky**

GENERAL FUELING PRODUCTS

**EagleFlex® Low Perm Hardwall****Premium Low Permeation Hardwall Gasoline Pump Hose.****System Options****Available in these Sizes**

ID	NOM OD		MAX WP		WEIGHT		
Size	MM	IN	MM	PSI	MPA	LB/FT	KG/M
5/8"	16	1.03	26	150	1.03	0.37	0.55
3/4"	19	1.17	30	150	1.03	0.44	0.65
1"	25	1.45	37	150	1.03	0.59	0.88

**Couplings**

Permanent, external crimp, zinc plated steel couplings, fixed and swivel



2325 Husky Way • Pacific, MO 63069  
 (800) 325-3558 • Fax (636) 825-7300  
[www.husky.com](http://www.husky.com) • [sales@husky.com](mailto:sales@husky.com)

MADE IN THE U.S.A.



# Whip Low Perm Hoses



18-8

HUSKY HOSES

- Recommended anywhere a hardwall hose is required.
- Recommended for all gasoline and gasoline/Ethanol blends at Ethanol levels designated as “gasohol” (E15 maximum or less), diesel fuel and diesel fuel/biodiesel blends with nominal biodiesel concentrations up to 20% (B0-B20), kerosene and fuel oil (heating oil), leaded and unleaded gasoline where low permeation ( $\leq 10\text{g/m}^2/\text{day}$ ) is required.
- Designed for durability, flexibility, and easy handling.
- Highly resistant to cuts, abrasions, sun and weather.
- Resists kinking and eliminates meter creep.
- Improves ozone and abrasion resistance while providing increased life.
- Will not mark or scratch dispenser finishes.
- Hose material is private branded and UL Listed to UL 330 for low permeation.
- All curb pump hose assemblies are 100% pressure tested, inspected for electrical continuity and sample pull tested.

## Whip Low Perm Hoses

MODEL NO.	DESCRIPTION	SHIPPING WEIGHT LBS (KG)
<b>5/8" LP HOSES</b>		
CP10LP.75	5/8" Low Perm Hardwall 9" Assembly Hose	0.72 (0.3)
CP10LP.75SV	5/8" Low Perm Hardwall 9" Swivel Assembly Hose	0.72 (0.3)
<b>3/4" LP HOSES</b>		
CP12LP.75	3/4" Low Perm Hardwall 9" Assembly Hose	1.00 (0.5)
CP12LP.75SV	3/4" Low Perm Hardwall 9" Swivel Assembly Hose	1.00 (0.5)
<b>1" LP HOSES</b>		
CP16LP.75	1" Low Perm Hardwall 9" Assembly Hose	1.20 (0.5)
CP16LP.75SV	1" Low Perm Hardwall 9" Swivel Assembly Hose	1.20 (0.5)



WARNING: Cancer and Reproductive Harm - [www.P65Warnings.ca.gov](http://www.P65Warnings.ca.gov)

**Husky**

GENERAL FUELING PRODUCTS

# Whip Low Perm Hoses

## System Options

### Available in these Sizes

ID		NOM OD		MAX WP		WEIGHT	
Size	MM	IN	MM	PSI	MPA	LB/FT	KG/M
5/8"	16	1.03	26	150	1.03	0.37	0.55
3/4"	19	1.17	30	150	1.03	0.44	0.65
1"	25	1.45	37	150	1.03	0.59	0.88

### Couplings

Permanent, external crimp, zinc plated steel couplings, fixed and swivel



2325 Husky Way • Pacific, MO 63069  
 (800) 325-3558 • Fax (636) 825-7300  
[www.husky.com](http://www.husky.com) • [sales@husky.com](mailto:sales@husky.com)

MADE IN THE U.S.A.



# Fuel Oil Hose



18-9

FUEL OIL FUELING HOSES

**Fuel Oil Permanent Fitting fueling hose recommended for all home fuel oils, leaded and unleaded gasolines, and diesel and tractor fuels.**

- Used for all home fuel oils, leaded and unleaded gasolines, and diesel and tractor fueling applications
- All fuel oil hose assemblies are 100% hydrostatic tested
- Resistant to flex fatigue
- Smooth cover gives it minimum ground drag, added freedom of movement and abrasion resistance



## Specifying Information

MODEL NO.	DESCRIPTION	SHIPPING WEIGHT LBS (KG)
<b>1" BULK HOSES</b>		
9769	Hose, 1" Red Fuel Oil 100'	47 (21.3)
9769	Hose, 1" Red Fuel Oil 125'	59 (26.8)
9769	Hose, 1" Red Fuel Oil 150'	71 (32.2)
<b>1 1/4" BULK HOSES</b>		
9770	Hose, 1 1/4" Red Fuel Oil 100'	59 (26.8)
9770	Hose, 1 1/4" Red Fuel Oil 125'	74 (33.6)
9770	Hose, 1 1/4" Red Fuel Oil 150'	89 (40.4)
<b>1 1/2" BULK HOSES</b>		
9771	Hose, 1 1/2" Red Fuel Oil 100'	80 (36.3)
9771	Hose, 1 1/2" Red Fuel Oil 125'	100 (45.4)
9771	Hose, 1 1/2" Red Fuel Oil 150'	120 (54.4)
<b>1" HOSES</b>		
CP161200FABA	1" x 100' Red Fuel Oil Assy M x M	49 (22.2)
CP161200FBBA	1" x 100' Red Fuel Oil Assy M x F	49 (22.2)
CP161200FCBA	1" x 100' Red Fuel Oil Assy F x F	49 (22.2)
CP161500FABA	1" x 125' Red Fuel Oil Assy M x M	61 (27.7)
CP161500FBBA	1" x 125' Red Fuel Oil Assy M x F	61 (27.7)
CP161500FCBA	1" x 125' Red Fuel Oil Assy F x F	61 (27.7)
CP161800FABA	1" x 150' Red Fuel Oil Assy M x M	73 (33.1)
CP161800FBBA	1" x 150' Red Fuel Oil Assy M x F	73 (33.1)
CP161800FCBA	1" x 150' Red Fuel Oil Assy F x F	73 (33.1)
<b>1 1/4" HOSES</b>		
CP201200FABA	1 1/4" x 100' Red Fuel Oil Assy M x M	61 (27.7)
CP201200FBBA	1 1/4" x 100' Red Fuel Oil Assy M x F	61 (27.7)
CP201200FCBA	1 1/4" x 100' Red Fuel Oil Assy F x F	61 (27.7)
CP201500FABA	1 1/4" x 125' Red Fuel Oil Assy M x M	76 (34.5)
CP201500FBBA	1 1/4" x 125' Red Fuel Oil Assy M x F	76 (34.5)
CP201500FCBA	1 1/4" x 125' Red Fuel Oil Assy F x F	76 (34.5)
CP201800FABA	1 1/4" x 150' Red Fuel Oil Assy M x M	91 (41.3)
CP201800FBBA	1 1/4" x 150' Red Fuel Oil Assy M x F	91 (41.3)
CP201800FCBA	1 1/4" x 150' Red Fuel Oil Assy F x F	91 (41.3)
<b>1 1/2" HOSES</b>		
CP241200FABA	1 1/2" x 100' Red Fuel Oil Assy M x M	82 (37.2)
CP241200FBBA	1 1/2" x 100' Red Fuel Oil Assy M x F	82 (37.2)
CP241200FCBA	1 1/2" x 100' Red Fuel Oil Assy F x F	82 (37.2)
CP241500FABA	1 1/2" x 125' Red Fuel Oil Assy M x M	102 (46.3)
CP241500FBBA	1 1/2" x 125' Red Fuel Oil Assy M x F	102 (46.3)
CP241500FCBA	1 1/2" x 125' Red Fuel Oil Assy F x F	102 (46.3)
CP241800FABA	1 1/2" x 150' Red Fuel Oil Assy M x M	122 (55.3)
CP241800FBBA	1 1/2" x 150' Red Fuel Oil Assy M x F	122 (55.3)
CP241800FCBA	1 1/2" x 150' Red Fuel Oil Assy F x F	122 (55.3)

## Construction

Tube	NBR, RMA Class A
Cover	NBR/PVC, RMA Class A
Reinforcement	4 spiral polyester yarn
Cover Color:	Red
Oil Resistance:	High, Medium-High
Temperature:	-20° F (-29° C) to +180° F (82° C)



WARNING: Cancer and Reproductive Harm - www.P65Warnings.ca.gov



# Fuel Oil Hose

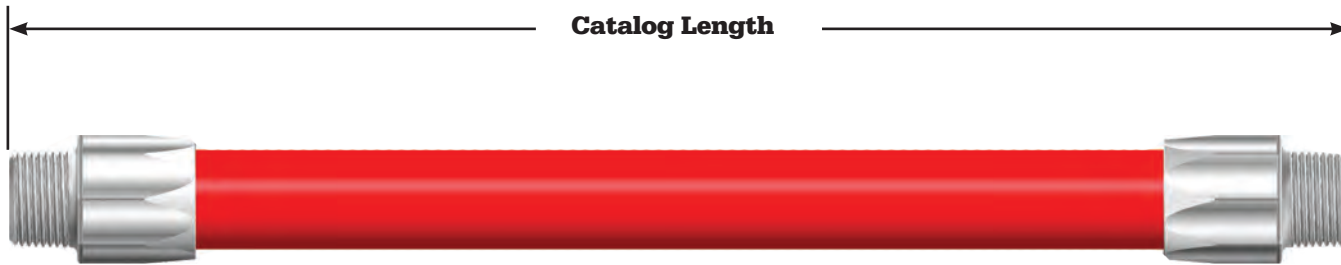
**Fuel Oil Permanent Fitting fueling hose recommended for all home fuel oils, leaded and unleaded gasolines, and diesel and tractor fuels.**

## Available in these Sizes

Size	ID		NOM OD		MAX WP		WEIGHT	
	MM	IN	MM	IN	PSI	MPA	LB/FT	KG/M
1"	25	1.50	38.0	1.50	250	1.72	0.47	0.71
1 1/4"	32	1.78	45.2	1.78	250	1.72	0.59	0.87
1 1/2"	38	2.06	52.3	2.06	250	1.72	0.80	1.19

## Couplings

Permanent Brass	Internally expanded fittings - male NPT and female NPS (swivel nut)
-----------------	---



2325 Husky Way • Pacific, MO 63069  
 (800) 325-3558 • Fax (636) 825-7300  
[www.husky.com](http://www.husky.com) • [sales@husky.com](mailto:sales@husky.com)

MADE IN THE U.S.A. 

## E0-E85 Curb Pump Hose.

- Recommended for use with Ethanol blends from E0 to E85.
- Resistant to crushing and stands up to run-over.
- Highly resistant to cuts, abrasions, sun and weather.
- Flexibility of a softwall, durability of a hardwall.
- Assures accurate readings at the pump.
- Will not mark or scratch vehicle finishes.
- Hose material is private branded and UL Listed to UL 330A and CAN/ULC-S612-99.
- All curb pump hose assemblies are 100% pressure tested, inspected for electrical continuity and sample pull tested.


## E0-E85 Wirebraid Hoses

MODEL NO.	DESCRIPTION	SHIPPING WEIGHT LBS (KG)
<b>3/4" HOSES</b>		
CP12ET04	3/4" E0-E85 4' Assembly Hose	1.7 (0.8)
CP12ET05	3/4" E0-E85 5' Assembly Hose	2.1 (1.0)
CP12ET06	3/4" E0-E85 6' Assembly Hose	2.5 (1.1)
CP12ET08	3/4" E0-E85 8' Assembly Hose	3.4 (1.5)
CP12ET09	3/4" E0-E85 9' Assembly Hose	3.8 (1.7)
CP12ET10	3/4" E0-E85 10' Assembly Hose	4.2 (1.9)
CP12ET10X	3/4" E0-E85 10' Assembly Hose Bulk	4.2 (1.9)
CP12ET12	3/4" E0-E85 12' Assembly Hose	5.0 (2.3)
CP12ET12X	3/4" E0-E85 12' Assembly Hose Bulk	5.0 (2.3)
CP12ET14	3/4" E0-E85 14' Assembly Hose	5.9 (2.7)
CP12ET16	3/4" E0-E85 16' Assembly Hose	6.7 (3.0)
CP12ET20	3/4" E0-E85 20' Assembly Hose	8.4 (3.8)
CP12ET50X	3/4" E0-E85 50' Assembly Hose Bulk	21.0 (9.5)

## Construction

Tube	Black Nitrile
Cover	Black CPE (chlorinated polyethylene), wrap impression
Reinforcement	Multiple textile braids with full diameter grounding sheath
Temperature Range	-40° F to +180° F (-40° C to +82° C)



 WARNING: Cancer and Reproductive Harm - [www.P65Warnings.ca.gov](http://www.P65Warnings.ca.gov)





# EagleFlex® E0-E85

**E0-E85 Curb Pump Hose.**

## System Options

### Available in these Sizes

ID		NOM OD		MAX WP		WEIGHT	
Size	MM	IN	MM	PSI	MPA	LB/FT	KG/M
3/4"	19	1.10	28	150	1.03	0.42	0.63

### Couplings

Permanent externally crimped zinc (L type).



2325 Husky Way • Pacific, MO 63069  
 (800) 325-3558 • Fax (636) 825-7300  
[www.husky.com](http://www.husky.com) • [sales@husky.com](mailto:sales@husky.com)

MADE IN THE U.S.A.



GENERAL FUELING PRODUCTS

# **EZ-Connect**

## The only certified, pre-assembled, pressure and continuity-tested hanging hardware.

- Can also be configured for new station installs.
- Fully customizable.
- Available in 5/8", 3/4" and 1" assemblies.
- Pre-fabricated hanging hardware assembly.
- Includes choice of Hose/Dispenser adaptor (Balanced/Vac-Assist/Heavy).
- Robust multi-plane Husky® swivel.
- 3 types of hose material offered: Hardwall, Wirebraid and Softwall.
- Zinc Fittings
- Chrome-plated brass fittings.
- EZ-Connect® hoses assembled with UL/CUL certified components.
- Your choice of nozzle configuration.
- 100% continuity/pressure tested.
- Thread sealant used on all component connections (Gasola®).
- All required hanging hardware for decommissioning in one single package.



WARNING: Cancer and Reproductive Harm - [www.P65Warnings.ca.gov](http://www.P65Warnings.ca.gov)



**The only certified, pre-assembled, pressure and continuity-tested hanging hardware.** Thousands of conventional fuel pump combinations are available with **EZ-Connect's®** six interchangeable components, making it possible to design a pump package to meet specific fuel-dispensing needs.

**This sample chart, using 5/8" Hardwall Hoses, demonstrates the many options available:**

5/8" Connections/9' Hardwall Hoses Kits			
	w/002273 (Single Use) STB	w/003360 Reconnectable STB	w/008330 MagBreak®
Balance to Conventional Adaptor	006959	006959	006959
5/8" x 9" Hardwall Whip Hose	CP10HW.75	CP10HW.75	CP10HW.75
Safe-T-Break®	002273	003360	008330
5/8" x 9' Hardwall Curb Hose	CP10HW09	CP10HW09	CP10HW09
3/4" Multi-Plane Swivel	000350	000350	000350
New XS® Pressure Activated Automatic Nozzle w/1808 Splash Guard	159559	159559	159559

5/8" Connections/10' Hardwall Hoses Kits			
	w/002273 (Single Use) STB	w/003360 Reconnectable STB	w/008330 MagBreak®
Balance to Conventional Adaptor	006959	006959	006959
5/8" x 9" Hardwall Whip Hose	CP10HW.75	CP10HW.75	CP10HW.75
Safe-T-Break®	002273	003360	008330
5/8" x 10' Hardwall Curb Hose	CP10HW10	CP10HW10	CP10HW10
3/4" Multi-Plane Swivel	000350	000350	000350
New XS® Pressure Activated Automatic Nozzle w/1808 Splash Guard	159559	159559	159559

**This sample chart, using 3/4" Softwall DEF Hoses, demonstrates the many options available:**

New X DEF Nozzle w/ 3/4" NPT Connections/9' Softwall DEF Hose Kits^	
	w/012070 Reconnectable STB
3/4" 9" Softwall DEF Whip Hose	CP12DF.75AN
Safe-T-Break®	012070
3/4" 9' Softwall DEF Hose	CP12DF09AN
3/4" Roller Bearing Swivel	012604
New X DEF Automatic Nozzle w/004809 Splash Guard	11676155N

New Polymer DEF Nozzle w/ 3/4" NPT Connections/9' Softwall DEF Hose Kits^	
	w/012070 Reconnectable STB
3/4" 9" Softwall DEF Whip Hose	CP12DF.75GP
Safe-T-Break®	012070
3/4" 9' Softwall DEF Hose	CP12DF09PB
New Polymer DEF Automatic Nozzle w/000216 Splash Guard	873504N

New X DEF Nozzle w/ 3/4" BSPP Connections/9' Softwall DEF Hose Kits^	
	w/012659 Reconnectable STB
3/4" 9" Softwall DEF Whip Hose	CP12DF.75AB
Safe-T-Break®	012659
3/4" 9' Softwall DEF Hose	CP12DF09AB
3/4" Roller Bearing Swivel	012656
New X DEF Automatic Nozzle w/001808 Splash Guard, w/007361 Handle Guard	11676154N

^Not Listed

**Please contact your Husky sales representative or Husky customer service at (800) 325 3558 for questions regarding EZ Connects.**



2325 Husky Way • Pacific, MO 63069  
 (800) 325-3558 • Fax (636) 825-7300  
[www.husky.com](http://www.husky.com) • [sales@husky.com](mailto:sales@husky.com)

MADE IN THE U.S.A.