

# FLO-Equalizer®



**Husky Flo-Equalizers® limit fuel flow to a maximum 10 gpm / 37.9 Lpm to comply with Comprehensive Environmental Response, Compensation, and Liability Act.**

- All Husky Flo-Equalizers® are pressure compensating and allow full advantage of high capacity pumps.
- Low pressure loss at flows less than 10 gpm / 37.9 Lpm.

**Model 004490**

- For conventional systems.
- Installs in-line within the fuel line.
- Comes standard with pipe nipple for easy installation.

**Model 005827**

- For balance vapor recovery systems.
- Installs directly into the dispenser outlet casting.

**Model 005837**

- For vacuum assist vapor recovery systems.
- Installs directly into the dispenser outlet casting.

**Model 007490**

- For conventional nozzles with 3/4" / 19 mm inlet.
- Installs into nozzle inlet.

**Flo-Equalizer®**

MODEL NO.	DESCRIPTION	SHIPPING WEIGHT LBS (KG)
004490	3/4" F x 3/4" F NPT threads	.37 (0.16)
005827	1 1/8" x 12 threads	.43 (0.19)
005837	M34 x 1.5 threads	.37 (0.16)
007490	Internal use only	.02 (0.01)

**Construction**

Body	004490, 005827 and 005837: Aluminum 007490: Plastic
Seals	004490 and 700490: N/A 005827 and 005837: Fluorocarbon



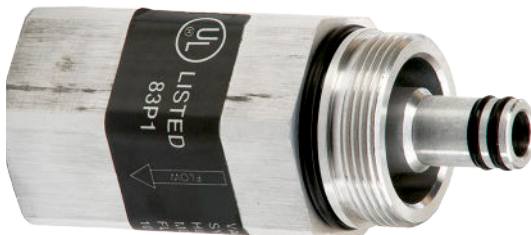
**Model 004490**



**Model 007490**



**Model 005827**



**Model 005837**



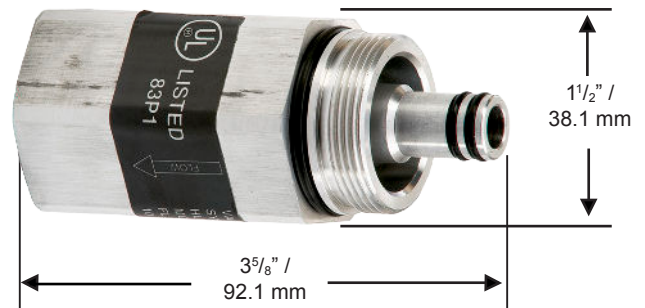
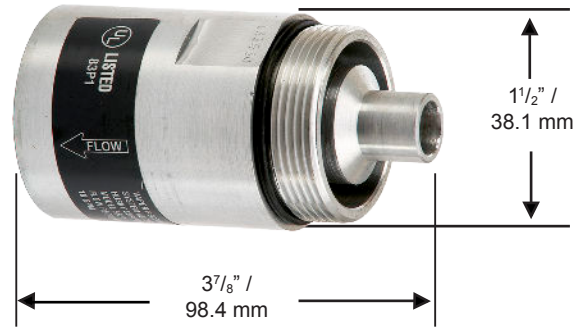
WARNING: Cancer and Reproductive Harm - www.P65Warnings.ca.gov



# FLO-Equalizer®

Husky Flo-Equalizers® limit fuel flow to a maximum 10 gpm / 37.9 Lpm to comply with Comprehensive Environmental Response, Compensation, and Liability Act.

## Dimensions



2325 Husky Way • Pacific, MO 63069  
 (800) 325-3558 • Fax (636) 825-7300  
[www.husky.com](http://www.husky.com) • [sales@husky.com](mailto:sales@husky.com)

MADE IN THE U.S.A.