

**Stop the flow of fluid on both sides of the separation.**

### Model 007219

- Non-reconnectable Safe-T-Break®
- Low profile design.
- Thread sealant not required with BSPP threads.
- 100% DEF compatible parts.
- Instant-closing, dual poppet check valve design.
- Maximum separation of 300 lbf / 1334.5 N.
- Comes standard with guard.

- Thread sealant not required with BSPP threads.
- Instant-closing, dual poppet check valve design.
- Comes standard with guard.

### Model 012070

- Reconnectable Safe-T-Break®
- Maximum separation of 200 lbf / 889.6 N.
- 100% DEF compatible parts.
- Instant-closing, dual poppet check valve design.
- Comes standard with guard.

### Model 008216

- Reconnectable Safe-T-Break®
- Maximum separation of 200 lbf / 889.6 N.
- 100% DEF compatible parts.

- DEF compatible thread sealant required for 3/4" NPT threads.

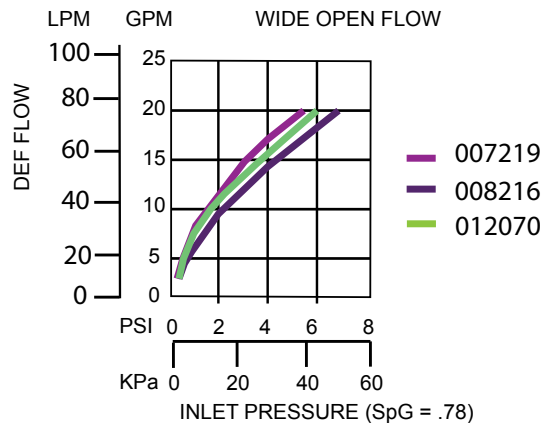
### Safe-T-Breaks®

MODEL NO.	DESCRIPTION	SHIPPING WEIGHT LBS (KG)
007219	1" M x 1" M Stainless Steel Non-Reconnectable Safe-T-Break®	0.90 (.40)
008216	1" M x 1" M Stainless Steel Reconnectable Safe-T-Break®	0.94 (.43)
012070^	3/4" F x 3/4" F NPT Reconnectable Safe-T-Break®	0.54 (.20)
012659^	3/4" F x 3/4" F BSPP Reconnectable Safe-T-Break®	.54 (.20)

^ NOT LISTED

### Construction

Body	Stainless Steel, 012070 - Anodized Aluminum
Seals	Fluorocarbon
Inlet	1" / 25.4 mm BSPP, 012070 - 3/4" / 19.1 mm NPT



Model 008216



Model 012070/012659



Model 007219



Stop the flow of fluid on both sides of the separation.

## Dimensions and System Options

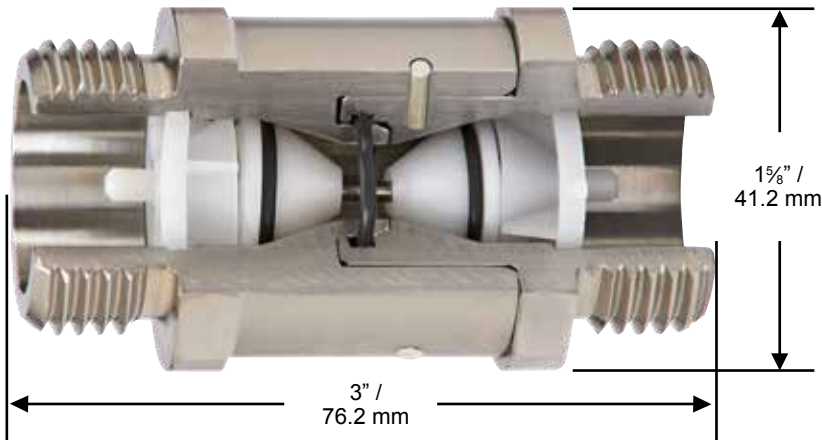
### Guards

MODEL NO.	DESCRIPTION
007224	Black Scuff Guard
006534	Dispenser Scuff Guard
003097	Scuff Guard

### Accessories, Testing and Maintenance

MODEL NO.	DESCRIPTION
007407	1" BSPP Seal Kit Assembly

Model 007219



Model 012070/012659



Model 008216



2325 Husky Way • Pacific, MO 63069  
 (800) 325-3558 • Fax (636) 825-7300  
[www.husky.com](http://www.husky.com) • [sales@husky.com](mailto:sales@husky.com)

MADE IN THE U.S.A.