

# Standard Swivels



For standard fueling applications.

**All Husky® Multi-Plane Swivels**

- Compatible with unleaded, diesel, and Ethanol blends through E10.
- Compact and light weight for easy handling.
- High flow rates due to laminar flow design.
- High strength step shoulder bearing diameters and impact absorbing stops.

**Model 002950 Restricted Swivel**

- Multi-Plane, 210° spherical rotation at the swivel nut.
- Double o-ring seals at each swivel provide long life at low temperatures (-40° F/C).

**All Weather Swivels**

- Multi-Plane, full 360° spherical rotation for easy movement of nozzle.
- Double o-ring seals at each swivel provide long life at low temperatures (-40° F/C).

**All Weather NPT**

MODEL NO.	DESCRIPTION	SHIPPING WEIGHT LBS (KG)
000350	3/4" M x 3/4" F Swivel	.50 (.22)
000352	1" M x 3/4" F Swivel	.66 (.29)
000355	3/4" M x 3/4" F Black Swivel	.49 (.22)
000356	1" M x 3/4" F Black Swivel	.66 (.29)
002272	3/4" M x 3/4" F 90° Swivel	.38 (.17)
002950	3/4" M x 3/4" F Restricted Swivel	.50 (.22)

**All Weather BSPP**

001491	3/4" M x 3/4" F BSPT Swivel	.50 (.22)
003590	3/4" M x 3/4" F BSPP Swivel	.60 (.27)
003590A*	3/4" M X 3/4" F BSPP Swivel - Atex	.60 (.27)
002771	3/4" M x 3/4" F 90° BSPP Swivel	.38 (.17)
002771A*	3/4" M x 3/4" F 90° BSPP Swivel - Atex	.38 (.17)

**Construction**

**ALL WEATHER**

Body	High Aluminum Zinc Alloy
Inner O-ring	Fluorosilicone
Outer O-ring	Fluorocarbon



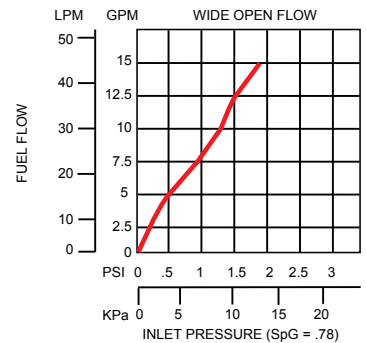
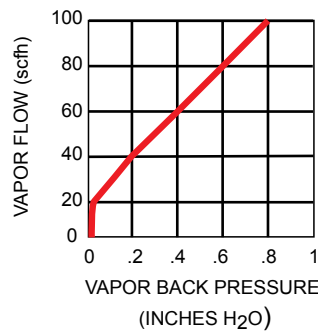
Model 000352



Model 000350



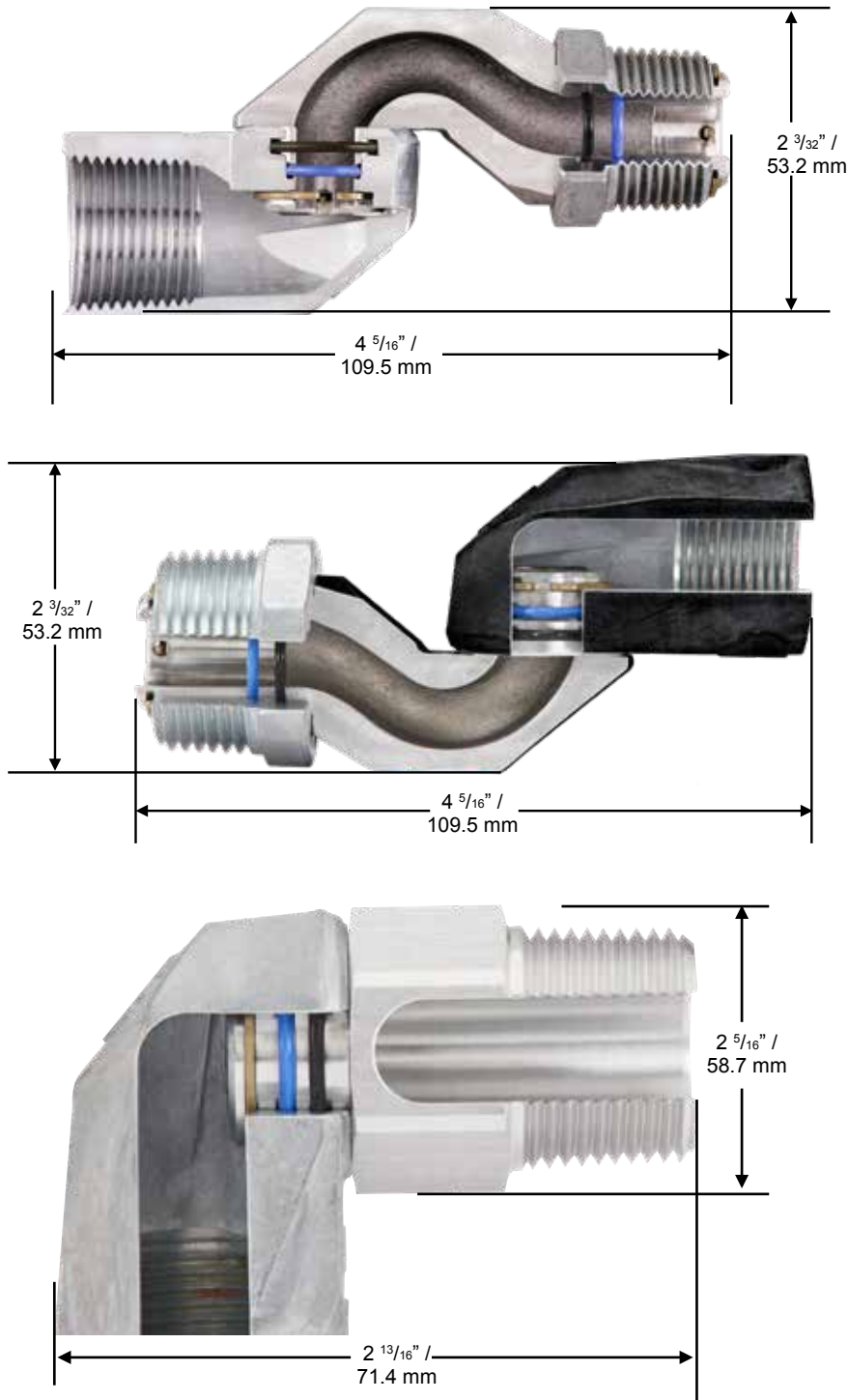
Model 002272



II 1 G  
EN13617-4

For standard fueling applications.

## Dimensions



2325 Husky Way • Pacific, MO 63069  
 (800) 325-3558 • Fax (636) 825-7300  
[www.husky.com](http://www.husky.com) • [sales@husky.com](mailto:sales@husky.com)

MADE IN THE U.S.A. 