

Inline Swivels



For standard fueling applications.

All Multi-Plane Swivels

- Compatible with unleaded, diesel, and Ethanol blends through E10.
- Compact and light weight for easy handling.
- High flow rates due to laminar flow design.
- High strength step shoulder bearing diameters and impact absorbing stops.

All Weather Swivels

- Multi-Plane, full 360° spherical rotation for easy movement of nozzle.
- Double o-ring seals at each swivel provide long life at low temperatures (-40° F/C).



Model 003895

NPT

| MODEL NO. | DESCRIPTION | SHIPPING WEIGHT LBS (KG) |
|-----------|-------------------------------------|--------------------------|
| 003895 | 3/4" M x 3/4" F Single Plane Swivel | 1.4 (.65) |
| 003898 | 3/4" M x 1" F Single Plane Swivel | 1.4 (.65) |
| 008517 | 1" M x 1" F Single Plane Swivel | 1.4 (.65) |

BSPP

| MODEL NO. | DESCRIPTION | SHIPPING WEIGHT LBS (KG) |
|-----------|-----------------------------------|--------------------------|
| 003760 | 3/4" M x 1" F Single Plane Swivel | 1.4 (.65) |
| 003830 | 1" M x 1" F Single Plane Swivel | 1.4 (.65) |

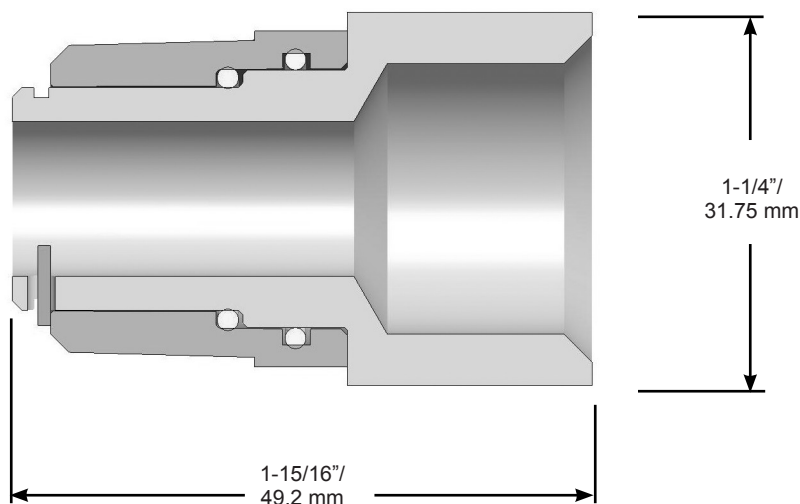
Construction

| | |
|------------|----------------|
| Body | Aluminum |
| Inner Seal | Fluorosilicone |
| Outer Seal | Fluorosilicone |



For standard fueling applications.

Dimensions



2325 Husky Way • Pacific, MO 63069
(800) 325-3558 • Fax (636) 825-7300
www.husky.com • sales@husky.com

MADE IN THE U.S.A. 