

# DEF Swivels



## Diesel Exhaust Fluid Inline Swivels.

- Full 360° rotation for easy movement of nozzle.
- Relieves kinking and twisting of the hose.
- High flow rate featuring laminar flow design.
- Compact for easy handling.
- Unique to Husky® products, the steel ball bearing design provides easier joint movement during high pressure applications.
- DEF compatible thread sealant required for NPT threads only

**Part 007269**



**Part 007467/008510/008822**



**Part 007275**



**Part 012604/012656**



**Part 007282/010936**



### DEF Swivels

MODEL NO.	DESCRIPTION	SHIPPING WEIGHT LBS (KG)
007269	1" M x 1" M BSPP Inline Swivel	.60 (.27)
007275	1" M BSPP x M34 M Inline Swivel	.62 (.28)
007282	3/4" M BSPP x 3/4" Hose Barb Roller Bearing Inline Swivel	.42 (.19)
007467	1" F x 1" M BSPP Inline Swivel	.66 (.30)
008510	1" M BSPP x 1" F NPT Inline Swivel	.66 (.30)
008822	1" F x 1" M BSPP Face Seal Inline Swivel	.66 (.30)
010936	3/4" BSPP x 3/4" Hose Barb Inline Swivel	.42 (.19)
012604^	3/4" M x 3/4" F NPT Roller Bearing Inline Swivel	.23 (.10)
012656^	3/4" M x 3/4" F BSPP Roller Bearing Inline Swivel	.23 (.10)

^ NOT LISTED

### Construction

Body	Stainless Steel, 012604/012656 - Anodized Aluminum
Seals	Fluorocarbon
Nut	012604 - Stainless Steel



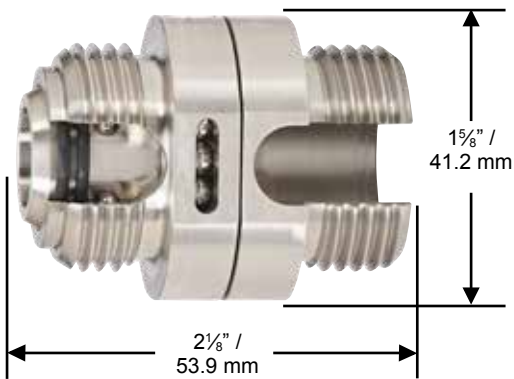
## Diesel Exhaust Fluid Inline Swivels.

### Accessories

MODEL NO.	DESCRIPTION
007406	3/4" BSPP Seal Kit Assembly
007407	1" BSPP Seal Kit Assembly

## Dimensions

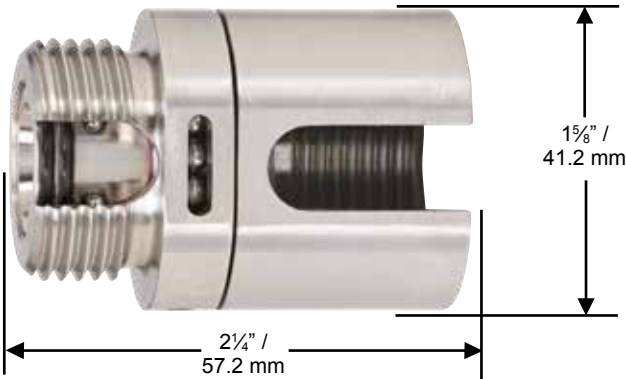
Part 007269



Part 007282/010936



Part 007467/008510/008822



Part 007275

