

**All Husky® Safe-T-Breaks® stop the flow of fuel on both sides of the separation and have passed the demanding UL test requirements on separations without leaking or failing.**

### G2 Magbreak®

- Low scuff, High impact resistant polymer housing
- 15% Smaller housing diameter
- Available in 3/4" Female NPT or BSP threads
- 40% Lighter than Original Magbreak®
- Separates at less than 200 pounds (889 N) pull force
- Can be separated using two flathead screwdrivers allowing for easier maintenance on hanging hardware
- Assurance of proper reconnection using a simple "Twist to Lock" feature
- Line shock absorbing design
- Retains UL listing after reconnection

### Magbreak®

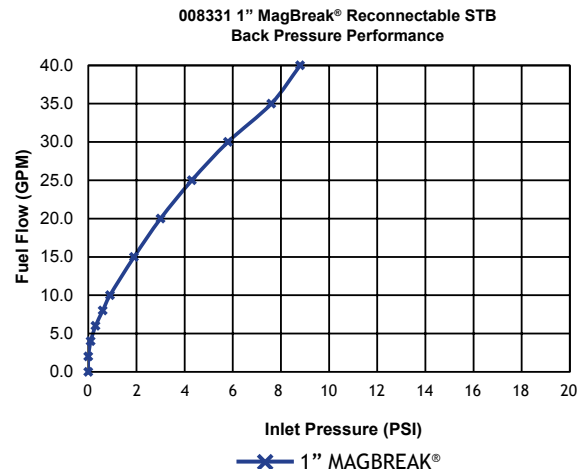
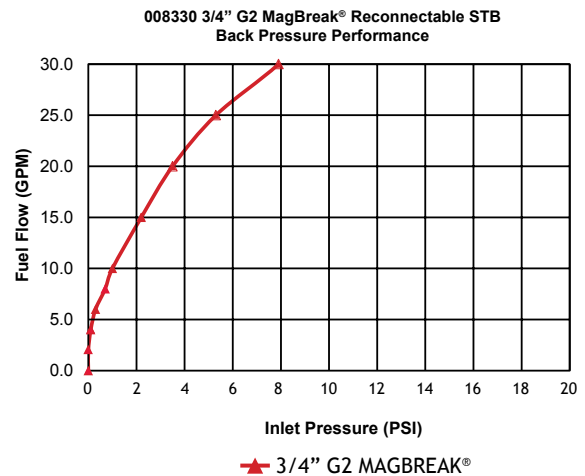
- Low scuff, High impact resistant polymer housing
- Available in 3/4" or 1" Female NPT or BSP threads
- Lighter than competing magnetic breakaways
- Separates at less than 225 pounds (1,000 N) pull force
- Can be separated using two flathead screwdrivers allowing for easier maintenance on hanging hardware
- Assurance of proper reconnection using a simple "Twist to Lock" feature
- Line shock absorbing design
- Retains UL listing after reconnection

### G2 Magbreak®

MODEL NO.	DESCRIPTION	SHIPPING WEIGHT LBS (KG)
008330	G2 Magbreak ® 3/4" F NPT(separates at less than 200 pounds pull force)	.72 (.32)
009910	G2 Magbreak ® 3/4" F BSP(separates at less than 200 pounds pull force)	.72 (.32)

### Magbreak®

MODEL NO.	DESCRIPTION	SHIPPING WEIGHT LBS (KG)
008331	Magbreak ® 1" F NPT CK(separates at less than 225 pounds pull force)	1.09 (.50)
009911	G2 Magbreak ® 1" F BSP(separates at less than 200 pounds pull force)	1.09 (.50)
010328	Magbreak ® 3/4" F NPT CK(separates at less than 225 pounds pull force)	1.21 (.55)



WARNING: Cancer and Reproductive Harm - www.P65Warnings.ca.gov



# Magbreak® STB

All Husky® Safe-T-Breaks® stop the flow of fuel on both sides of the separation and have passed the demanding UL test requirements on separations without leaking or failing.

## Dimensions

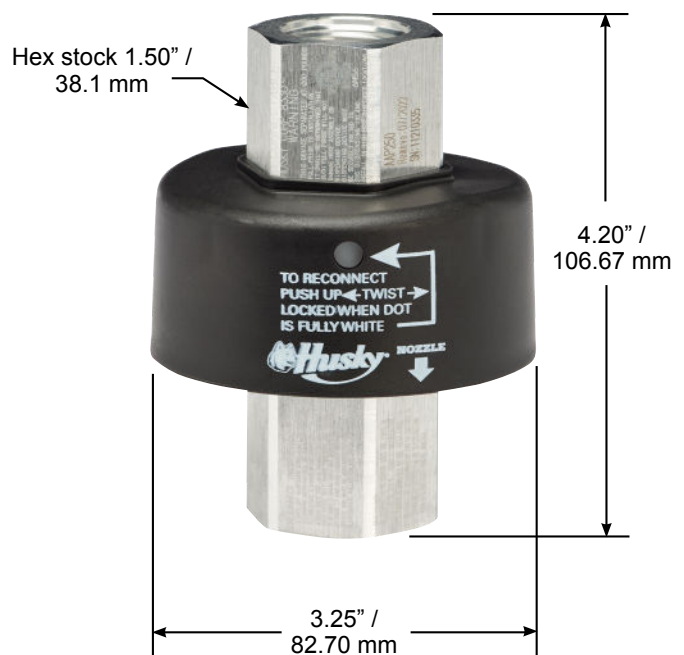
### Replacement Parts

MODEL NO.	DESCRIPTION
008630	MAGBREAK LOWER HALF 008330
008631	MAGBREAK LOWER HALF 008331

**G2  
Magbreak®**



**Magbreak®**



2325 Husky Way • Pacific, MO 63069  
 (800) 325-3558 • Fax (636) 825-7300  
[www.husky.com](http://www.husky.com) • [sales@husky.com](mailto:sales@husky.com)

MADE IN THE U.S.A.