

Swivel/STB Standard



Husky

GENERAL FUELING PRODUCTS

11-1

SWIVEL/SAFE-T-BREAKS®

Husky Model 006310 Swivel Safe-T-Break® combination for standard fueling applications.

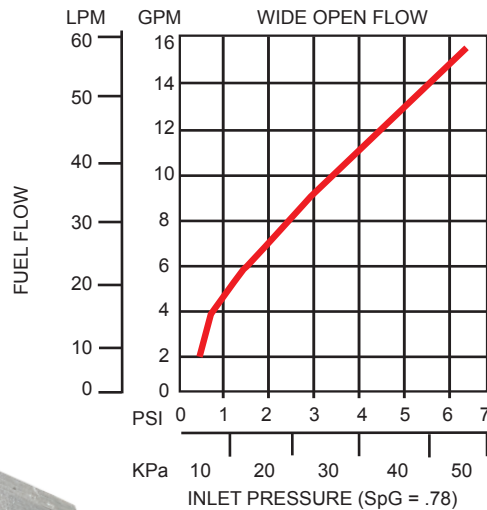
- Multi-plane, full 360° spherical rotation for easy movement of nozzle.
- Swivel Sync® feature to prevent separation failure in the 90° position.
- Safe-T-Break® is reconnectable and retains UL listing after reconnecting.
- Dual check valves stops fuel in both directions.
- Separates at less than 325 lbf / 1,445.6 N which minimizes backlash force of separations, reducing damage to equipment.
- Wave spring helps reduce nuisance breaks due to water hammer.
- Dynamic seals have double o-ring construction for long life and low temperature performance.
- Compatible with Ethanol blends though E10.
- Compact and light weight for easy handling.
- Easier to reconnect when installed at the nozzle.
- Eliminates the need for a whip hose.

Swivel/Safe-T-Break® Combination

MODEL NO.	DESCRIPTION	SHIPPING WEIGHT LBS (KG)
006310	¾" NPT M x ¾" NPT F Multi-Plane Swivel Reconnectable Safe-T-Break®	.90 (.40)
007085	¾" BSP M x ¾" BSP F Multi-Plane Swivel Reconnectable Safe-t-Break®	.90 (.40)
007085A*	¾" BSP M x ¾" BSP F Multi-Plane Swivel Reconnectable Safe-t-Break® - Atex	.90 (.40)

Construction

Body	Aluminum, Zinc Alloy
Seals	Fluorosilicone, Fluorocarbon
Springs	Stainless Steel
Threads	Various



II 2 G
EN 13617-2 TYPE 1
EN 13617-4 STYLE 1



WARNING: Cancer and Reproductive Harm - www.P65Warnings.ca.gov

**Husky**

GENERAL FUELING PRODUCTS

Swivel/STB Standard

Husky Model 006310 Swivel Safe-T-Break® Combination for standard fueling applications.

Dimensions

Guards

MODEL NO.	DESCRIPTION
006534	Scuff Guard for Safe-T-Break®

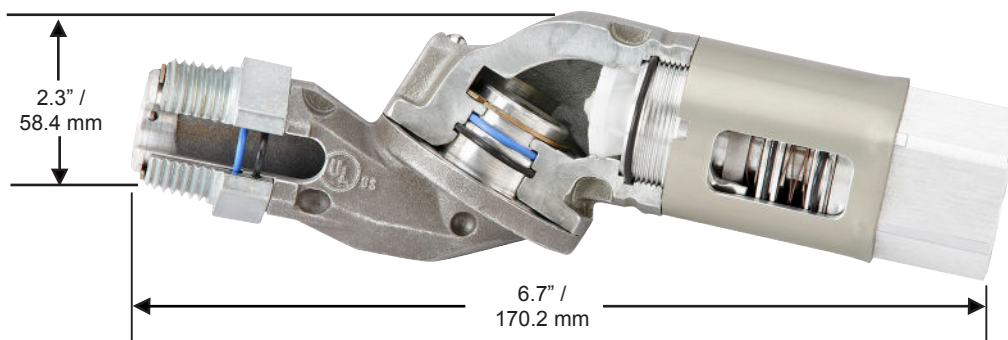
Color Chart

COLOR	SUFFIX	COLOR	SUFFIX
Blue	-01	White	-06
Red	-02	Gold	-08
Green	-03	Silver	-09
Black	-04	BP Green	-16
Yellow	-05	Pink	-20

**Safe-T-Breaks® and Safe-T-Break® Scuff Guards are to be ordered with the corresponding guard color option added to the model number.

Example: If BLUE guards are desired, add guard color option -01 to the model number (004034-01).

For custom colors, a minimum order of 4,000 guards will be required.



2325 Husky Way • Pacific, MO 63069
 (800) 325-3558 • Fax (636) 825-7300
www.husky.com • sales@husky.com

MADE IN THE U.S.A.