

For truck and high volume fueling.



Model 000087



Model 004860



Model 000095

Features

All Husky® Multi-Plane Swivels

- Compatible with diesel fuels and Ethanol blends through E10.
- Compact and light weight for easy handling.
- High flow rates due to laminar flow design.
- High strength step shoulder bearing diameters and impact absorbing stops.
- Double o-ring seals at each swivel provide long life at low temperatures (-40° F/C).

Husky® High Volume Multi-Plane Swivels

- Multi-Plane, full 360° spherical rotation for easy movement of nozzle.
- For use with high flow nozzles with flow rates up to 100 gpm/ 378 Lpm.
- Raised stainless steel ball bearings provide easy joint movement, greatly improving ease of swivel when used on higher pressure systems.
- 75% less back pressure.

Husky® Multi-Plane Restricted Swivels

- Multi-Plane, 210° spherical rotation at the swivel nut.

Construction

STANDARD

Body: High Aluminum Zinc Alloy

Inner O-ring: Fluorsilicone

Outer O-ring: Fluorocarbon

HIGH VOLUME

Body: Aluminum, Zinc and Zinc Plated Steel

Inner O-ring: Fluorsilicone

Outer O-ring: Fluorocarbon

Model No.	Size	Thread	Type	Shipping Wt. Lbs/Kg
000087	1" M x 1" F	NPT	Multi-Plane Swivel	.96/.43
000087R	1" M x 1" F	NPT	Multi-Plane Swivel For Retail	.96/.43
004860	1" M x 1" F	NPT	High Flow Multi-Plane Swivel	1.4/.63
004860R	1" M x 1" F	NPT	High Flow Multi-Plane Swivel For Retail	1.4/.63
000095	1" M x 1" F	NPT	70° Pump Swivel	.76/.34
003395	1" M x 1" F	NPT	Restricted Multi-Plane Swivel	.93/.42
003306	1" M x 1" F	BSPP	Multi-Plane Swivel	1.1/.49
003306A*	1" M x 1" F	BSPP	Multi-Plane Swivel- Atex	1.1/.49
006949	1" M x 1" F	BSPP	High Flow Multi-Plane Swivel	1.1/.49
006949A*	1" M x 1" F	BSPP	High Flow Multi-Plane Swivel- Atex	1.1/.49

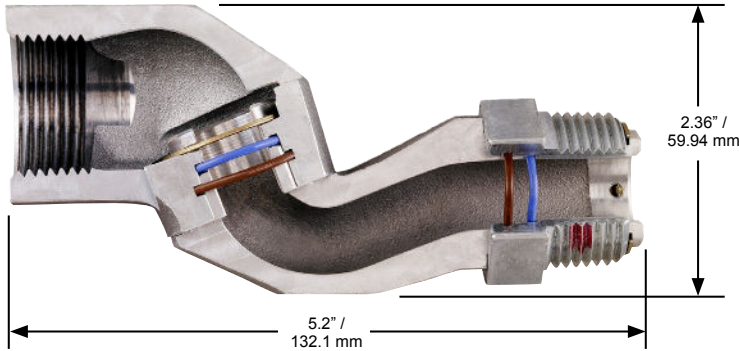


WARNING: Cancer and Reproductive Harm - www.P65Warnings.ca.gov

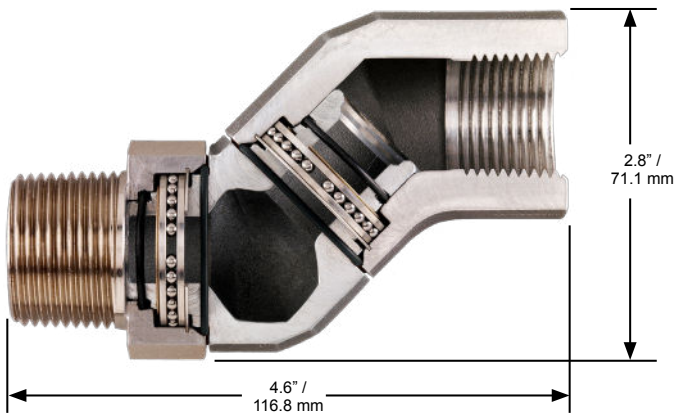
For truck and high volume fueling.

Dimensions

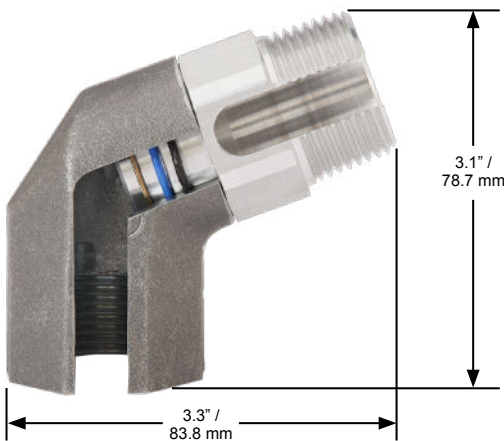
Model 000087, 003306, and 003395



Model 004860 and 006949



Model 000095



Flow Charts

