

For truck and high volume fueling.



Model 000087



Model 004860



Model 000095

## Features

### All Husky® Multi-Plane Swivels

- Compatible with diesel fuels and Ethanol blends through E10.
- Compact and light weight for easy handling.
- High flow rates due to laminar flow design.
- High strength step shoulder bearing diameters and impact absorbing stops.
- Double o-ring seals at each swivel provide long life at low temperatures (-40° F/C).

### Husky® High Volume Multi-Plane Swivels

- Multi-Plane, full 360° spherical rotation for easy movement of nozzle.
- For use with high flow nozzles with flow rates up to 100 gpm/ 378 Lpm.
- Raised stainless steel ball bearings provide easy joint movement, greatly improving ease of swivel when used on higher pressure systems.
- 75% less back pressure.

### Husky® Multi-Plane Restricted Swivels

- Multi-Plane, 210° spherical rotation at the swivel nut.

## Construction

### STANDARD

**Body:** High Aluminum Zinc Alloy

**Inner O-ring:** Fluorsilicone

**Outer O-ring:** Fluorocarbon

### HIGH VOLUME

**Body:** Aluminum, Zinc and Zinc Plated Steel

**Inner O-ring:** Fluorsilicone

**Outer O-ring:** Fluorocarbon

Model No.	Size	Thread	Type	Shipping Wt. Lbs/Kg
000087	1" M x 1" F	NPT	Multi-Plane Swivel	.96/.43
004860	1" M x 1" F	NPT	High Flow Multi-Plane Swivel	1.4/.63
000095	1" M x 1" F	NPT	70° Pump Swivel	.76/.34
003395	1" M x 1" F	NPT	Restricted Multi-Plane Swivel	.93/.42
003306	1" M x 1" F	BSPP	Multi-Plane Swivel	1.1/.49
003306A*	1" M x 1" F	BSPP	Multi-Plane Swivel- Atex	1.1/.49
006949	1" M x 1" F	BSPP	High Flow Multi-Plane Swivel	1.1/.49
006949A*	1" M x 1" F	BSPP	High Flow Multi-Plane Swivel- Atex	1.1/.49



 WARNING: Cancer and Reproductive Harm - www.P65Warnings.ca.gov



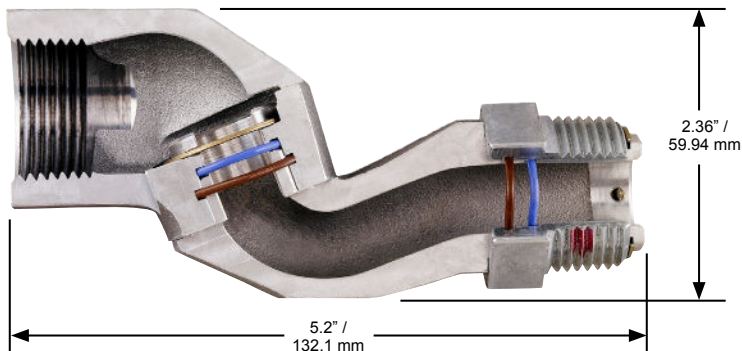
**Husky**  
GENERAL FUELING PRODUCTS

# High Volume Swivels

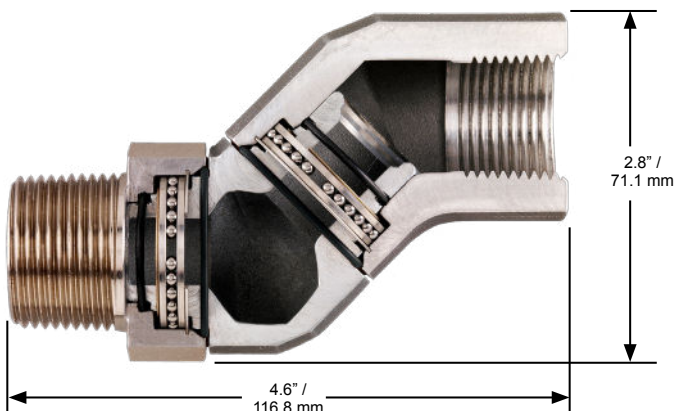
For truck and high volume fueling.

## Dimensions

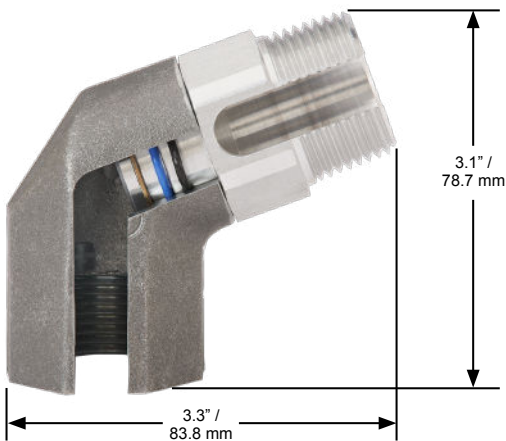
**Model 000087, 003306, and 003395**



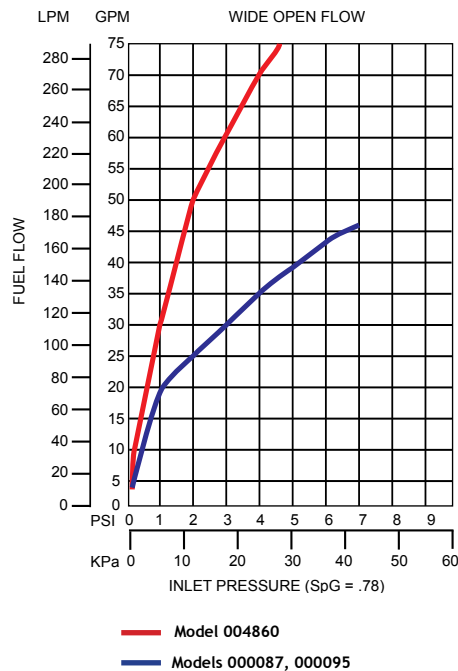
**Model 004860 and 006949**



**Model 000095**



## Flow Charts



2325 Husky Way • Pacific, MO 63069  
 (800) 325-3558 • Fax (636) 825-7300  
[www.husky.com](http://www.husky.com) • [sales@husky.com](mailto:sales@husky.com)

MADE IN THE U.S.A.