

Diesel Exhaust Fluid Inline Swivels.

Model 007269



Model 007275



Model 007467/008510/008822



Model 012604/012656



Model 007282/010936



Features

- Full 360° rotation for easy movement of nozzle.
- Relieves kinking and twisting of the hose.
- High flow rate featuring laminar flow design.
- Compact for easy handling.
- Unique to Husky® products, the steel ball bearing design provides easier joint movement during high pressure applications.
- DEF compatible thread sealant required for NPT threads only

Construction

Body: Stainless Steel, Anodized Aluminum

Seals: Fluorocarbon

Nut: Stainless Steel

Model No.	Size	Thread	Type	Shipping Wt. Lbs/Kg
007269	1" M x 1" M	BSPP	Inline Swivel	.60/.27
007275	1" M x M34 M	BSPP/M34	Inline Swivel	.62/.28
007282	3/4" M x 3/4" Hose Barb	BSPP	Roller Bearing Inline Swivel	.42/.19
007467	1" F x 1" M	BSPP	Inline Swivel	.66/.30
008510	1" M x 1" F	BSPP/NPT	Inline Swivel	.66/.30
008822	1" F x 1" M	BSPP	Face Seal Inline Swivel	.66/.30
010936	3/4" M x 3/4" Hose Barb	BSPP	Inline Swivel	.42/.19
012604^	3/4" M x 3/4" F	NPT	Roller Bearing Inline Swivel	.23/.10
012656^	3/4" M x 3/4" F	BSPP	Roller Bearing Inline Swivel	.23/.10

^ NOT LISTED

Accessories

Model No.	Description
007406	3/4" BSPP Seal Kit Assembly
007407	1" BSPP Seal Kit Assembly



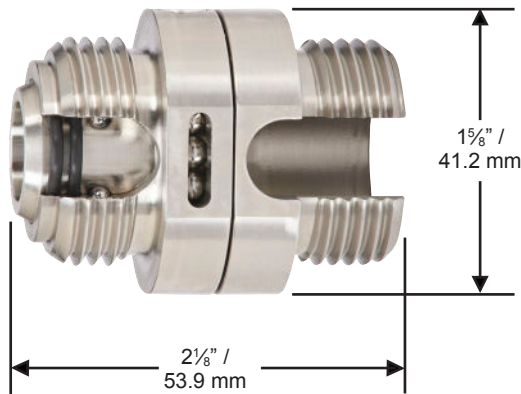
^ NOT LISTED

WARNING: Cancer and Reproductive Harm - www.P65Warnings.ca.gov

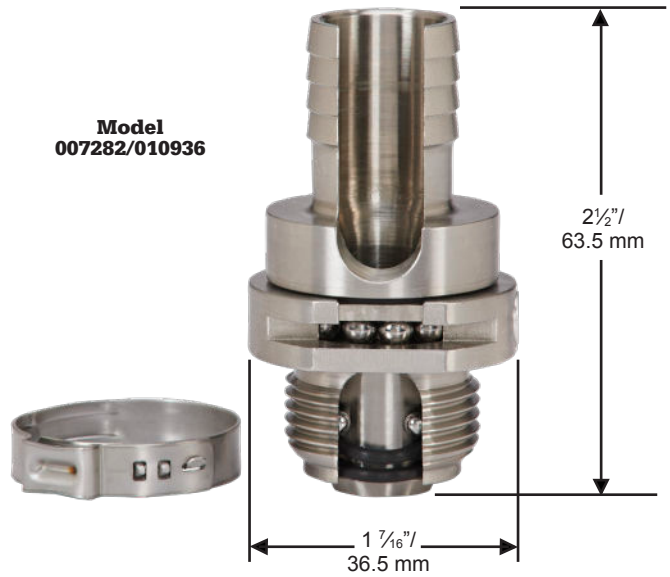
Diesel Exhaust Fluid Inline Swivels.

Dimensions

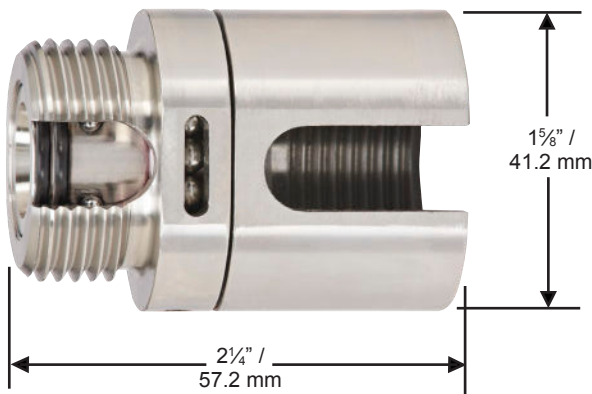
Model 007269



Model 007282/010936



Model 007467/008510/008822



Model 007275

