

Clearly Gauge® LLG



Numbers decrease as fluid level lowers indicating how many inches are left until the tank is empty. For use with oil, waste oil, diesel fuel, antifreeze, and other fluids with a high flash point.

- One gauge accommodates tanks up to 72".
- Measures from 72" - 0".
- 2" NPT threads.
- Molded housing.
- Direct drive.
- Nickel-plated brass chain.
- Oversized aluminum float assembly rotates to prevent chain entanglement.
- For use with oil, waste oil, diesel fuel, antifreeze, and most liquids with a high flash point.
- Greater depths available on request.

New Gauges

MODEL NO.	DESCRIPTION	SHIPPING WEIGHT LBS (KG)
013962	Clearly Gauge® 72" Liquid Level Gauge	.95 (.43)
015184	Clearly Gauge® 72" Liquid Level Gauge with Vertical Float	.95 (.43)



! WARNING: Cancer and Reproductive Harm - www.P65Warnings.ca.gov



Clearly Gauge® LLG

Numbers decrease as fluid level lowers indicating how many inches are left until the tank is empty. For use with oil, waste oil, diesel fuel, antifreeze, and other fluids with a high flash point.

Dimensions and System Options

Floats

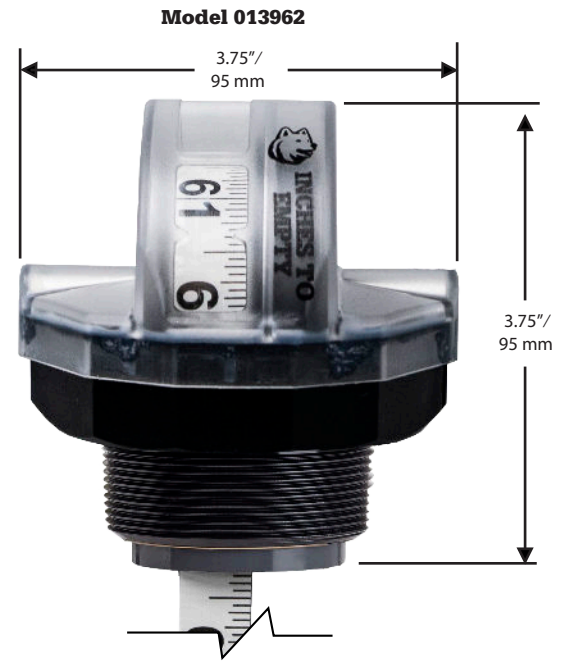
MODEL NO.	DESCRIPTION
007615	1 1/2" Vertical Float
007616	1 1/2" Horizontal Float

Other Accessories

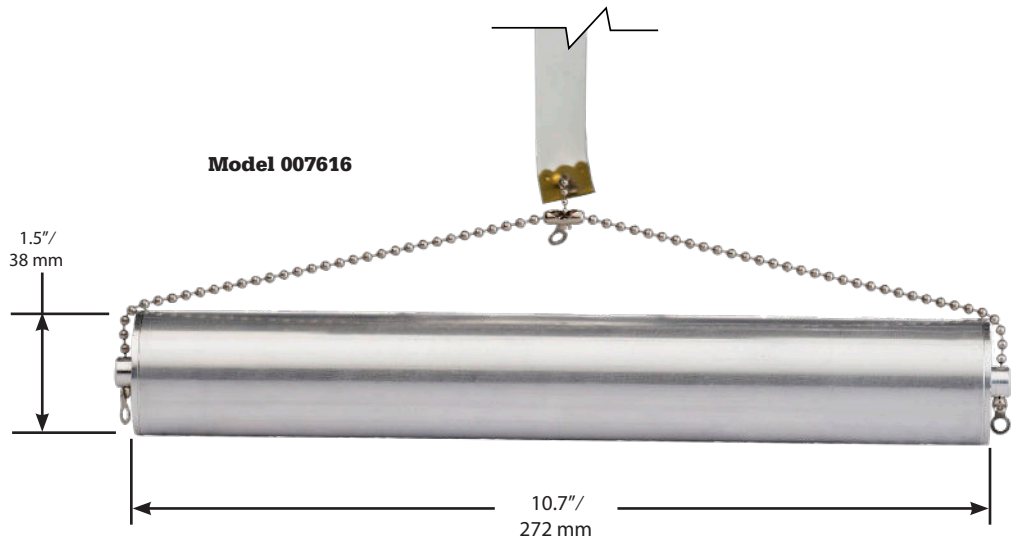
MODEL NO.	DESCRIPTION
007551	Chain, #2 Ball
007552	Eyelet, Brass



Model 007615



Model 013962



Model 007616



2325 Husky Way • Pacific, MO 63069
 (800) 325-3558 • Fax (636) 825-7300
www.husky.com • sales@husky.com

MADE IN THE U.S.A.