

## Hose Conversion Adaptor

- Easy conversion of vapor recovery dispenser manifold to accept conventional hose configurations.

### New Hose Conversion Adaptor

MODEL NO.	DESCRIPTION	SHIPPING WEIGHT LBS (KG)
006941	Hose Conversion Adaptor M34 x 1.5	.18 (.40)
006959	Hose Conversion Adaptor Balanced	.26 (.57)
009500	Hose Conversion Adaptor 1-1/4" -18	.18 (.40)

### Specifications

- 1 piece machined aluminum fittings
- Fluorocarbon o-rings.

### Advantages

- Simple installation

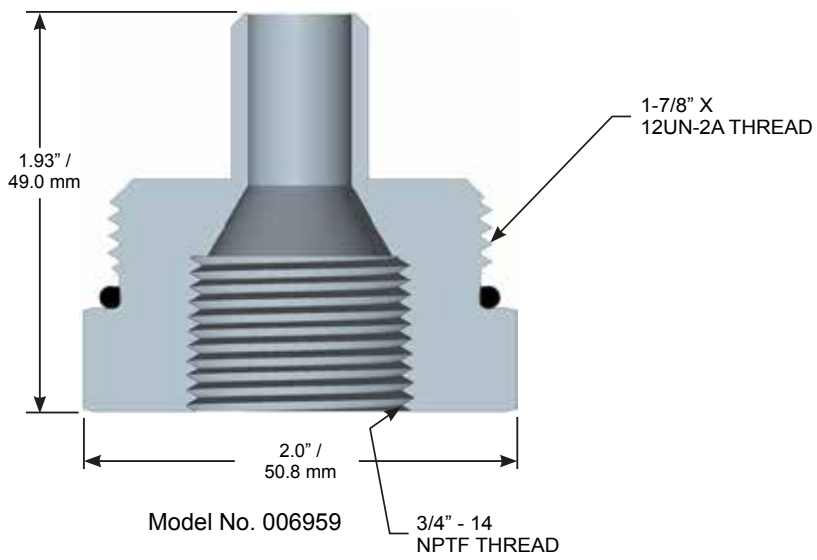
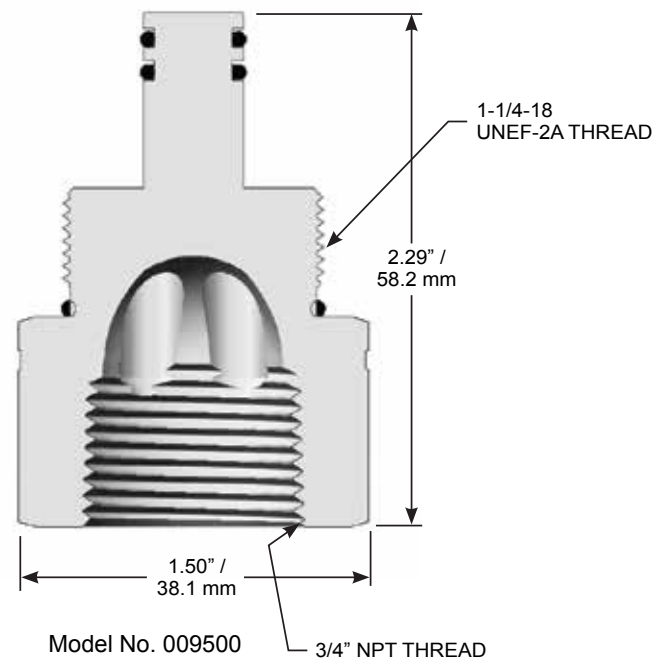
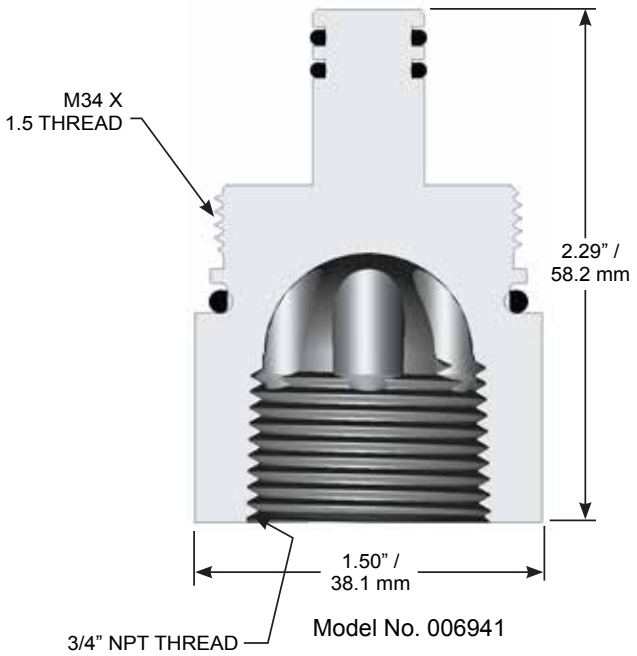


WARNING: Cancer and Reproductive Harm—[www.P65Warnings.ca.gov](http://www.P65Warnings.ca.gov)



## Hose Conversion Adaptor

### Dimensions



2325 Husky Way • Pacific, MO 63069  
 (800) 325-3558 • Fax (636) 825-7300  
[www.husky.com](http://www.husky.com) • [sales@husky.com](mailto:sales@husky.com)

MADE IN THE U.S.A.