

Ultra High Flow Swivels



9-7

SWIVELS

Husky® high volume delivery swivels make it easier to manipulate the long, heavy hoses used on bulk delivery systems.



Model 005265

Features

- Prevents kinking and twisting of hose.
- Unique stainless steel ball bearing design provides easier joint movement during high pressure applications.
- Easier to angle the nozzle into fill openings.

Construction

Body: Aluminum

Seals: Fluorocarbon

Model No.	Size	Thread	Type	Shipping Wt. Lbs/Kg
005235	1¼" F x 1¼" M	NPT	Single Plane Swivel	1.4/.65
005240	1¼" F x 1½" M	NPT	Single Plane Swivel	1.4/.65
005265	1½" F x 1¼" M	NPT	Single Plane Swivel	1.4/.65
005266	1½" F x 1½" M	NPT	Single Plane Swivel	1.4/.65
005754	1¼" F x 1½" M	BSPP	Single Plane Swivel	1.4/.65



WARNING: Cancer and Reproductive Harm - www.P65Warnings.ca.gov

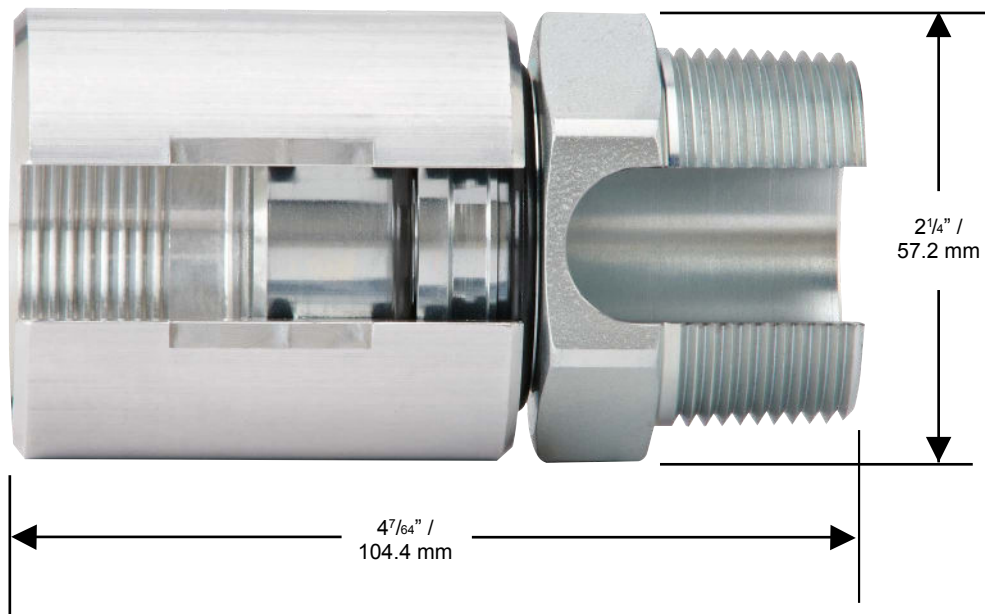


Ultra High Flow Swivels

Husky high volume delivery swivels make it easier to manipulate the long, heavy hoses used on bulk delivery systems.

Dimensions

Model 005235, 005240, 005265 and 005266



2325 Husky Way • Pacific, MO 63069
 (800) 325-3558 • Fax (636) 825-7300
www.husky.com • sales@husky.com

MADE IN THE U.S.A. 