

## Automatic shut-off nozzle for full-service and self-service stations.

- X nozzle shuts off when the gas tank is full.
- Comes standard with smooth full grip guard.
- Aluminum reinforced spout bushing keeps spout tip round and acts as a captive fastener to prevent tip-end sensor damage.
- Optional EZ lever:
  - two piece design cuts opening force in half
  - easier “to-the-penny” dispensing
  - ADA Compliant
- Nozzle is equipped with a unique Flo-Stop® device that shuts off the nozzle if it falls from the fill tank or raises above the horizontal.
- StreamShaper® reduces turbulence for straighter fuel flow and less splash back spillage.



### New Unleaded Nozzles

MODEL NO.	DESCRIPTION	SHIPPING WEIGHT LBS (KG)
159404N^	with Three Notch Hold Open Clip	3.0 (1.4)
E159404N^	with Three Notch Hold Open Clip	3.1 (1.4)
159408	without Hold Open Clip	3.0 (1.4)
E159408	without Hold Open Clip	3.0 (1.4)
159424N^	with Three Notch Hold Open Clip and Sightglass	2.9 (1.3)
159454N^	with Three Notch Hold Open Clip and Flo-Equalizer®	3.0 (1.4)
159458	without Hold Open Clip, with Flo-Equalizer®	3.0 (1.4)
159459N^	with Three Notch Hold Open Clip and Waffle Splash Guard	2.7 (1.2)
159468	without Hold Open Clip, with Waffle Splash Guard	2.7 (1.2)
1120404N^	with Two Notch Hold Open Clip and EZ Lever	3.0 (1.4)

^ NOT LISTED

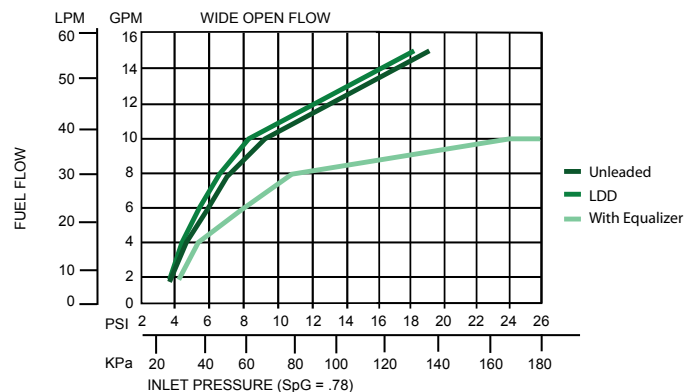
### New Light Duty Diesel Nozzles

MODEL NO.	DESCRIPTION	SHIPPING WEIGHT LBS (KG)
159403N^	with Three Notch Hold Open Clip	3.1 (1.4)
E159403N^	with Three Notch Hold Open Clip	3.1 (1.4)
159407	without Hold Open Clip	3.0 (1.4)
E159407	without Hold Open Clip	3.0 (1.4)
159453N^	with Three Notch Hold Open Clip and Flo-Equalizer®	3.1 (1.4)
159457	without Hold Open Clip, with Flo-Equalizer®	3.1 (1.4)
159463N^	with Three Notch Hold Open Clip and Waffle Splash Guard	2.8 (1.3)
159467	without Hold Open Clip, with Waffle Splash Guard	2.8 (1.3)
159496N^	with Three Notch Hold Open Clip, POPD® S and Waffle Splash Guard	2.8 (1.3)
1594122N^	with Three Notch Hold Open Clip and POPD® H	2.8 (1.3)
1594134	without Hold Open Clip	2.8 (1.3)
1594137N^	with Three Notch Hold Open Clip and Waffle Splash Guard	2.8 (1.3)
1120403N^	with Two Notch Hold Open Clip and EZ Lever	3.0 (1.4)

^ NOT LISTED

### Construction

Body	One piece die cast aluminum
Seals	Fluorocarbon
Packing	Double o-ring seal protected by fiber reinforced Teflon®
Lever	One piece contoured steel with hard plastic cover
Inlet	3/4" / 19 mm NPT



WARNING: Cancer and Reproductive Harm—www.P65Warnings.ca.gov

Automatic shut-off nozzle for full-service and self-service stations.

## Dimensions and System Options

### Safe-T-Breaks®

MODEL NO.	DESCRIPTION
003360	¾" F x ¾" F NPT Reconnectable Safe-T-Break®
002273	¾" F x ¾" F NPT Non-Reconnectable Safe-T-Break®
006130	¾" F x ¾" F NPT Non-Reconnectable PCC Safe-T-Break®
005230	¾" F x ¾" F NPT Low Pull Reconnectable Safe-T-Break®

### Swivels

MODEL NO.	DESCRIPTION
000350	¾" M x ¾" F NPT Multi-Plane Swivel
000355	¾" M x ¾" F NPT Multi-Plane Swivel Anodized Black
002272	¾" M x ¾" F NPT 90° Pump Swivel
003895	¾" M x ¾" F NPT Inline Swivel
002950	¾" M x ¾" F NPT Multi-Plane Restricted Swivel

### Swivel/Safe-T-Break® Combos

MODEL NO.	DESCRIPTION
006310	¾" M NPT Multi-Plane Swivel connected to ¾" F NPT Reconnectable Safe-T-Break®

### Spouts

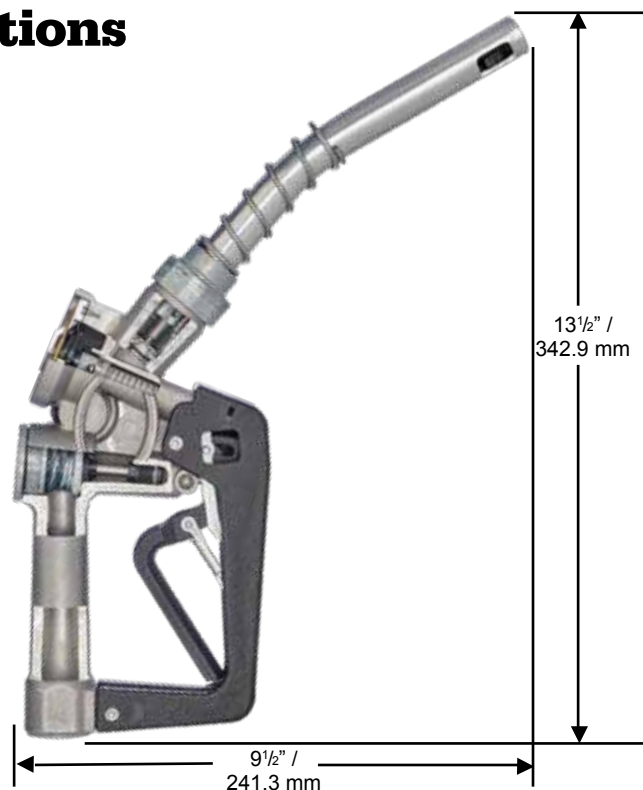
MODEL NO.	DESCRIPTION
001473	Unleaded Spout without Flo-Stop®
010434	Unleaded Long Spout without Flo-Stop®
001471	Light Duty Diesel Spout without Flo-Stop® with StreamShaper®
010353	Light Duty Diesel Long Spout without Flo-Stop®

### Pressure/Vacuum Vents

MODEL NO.	DESCRIPTION
004620	2" Slip-On Pressure Vacuum Vent
004885	2" Thread-On Pressure Vacuum Vent - NPT
005885	2" Thread-On Pressure Vacuum Vent with Internal Screen - NPT

### Accessories, Testing and Maintenance

MODEL NO.	DESCRIPTION
004490	Conventional Flo-Equalizer® - 10 gpm / 37.9 Lpm
003593	Hold Open Clip Kit
007490	Internal Flo-Equalizer® - 10 gpm / 37.9 Lpm
007089	Nozzle Service Kit
000397	Unleaded Spout Gauge



### Guards

MODEL NO.	DESCRIPTION
003376	Black Handle Guard
004145	Full Grip Guard
001806	Full Grip Reguard
005494	Lever Guard
003440	Mate Easy-On Package
003795	Mate Guard
008175	POPD® EZS Nozzle Guard
008176	POPD® EZH Nozzle Guard
007999	POPD® H Clear Cover
008185	POPD® H Full Grip Guard
008192	POPD® H Full Grip Reguard
008166	POPD® H Mate Guard
006628	POPD® S Clear Cover
006665	POPD® S Full Grip Guard
007205	POPD® S Full Grip Reguard
008165	POPD® S Mate Guard
001506	Protection Package
001809	Reguard Protection Package
001808	Waffle Splash Guard