

## Inline SAFE-T-BREAK®.

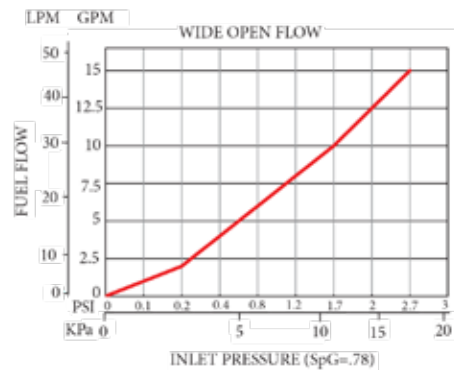
- Threads directly into nozzle inlet.
- Separates at 180-337 lbs (800-1500N).
- Reconnectable.
- Stops flow on hose side of break.
- Separates at angles up to 90 degrees.
- Aluminum internal flow director - stronger than Elaflex plastic design.
- Check valve o-ring to ensure reliable fuel shut-off, not included on Elaflex.

## New Inline SAFE-T-BREAK®

MODEL NO.	DESCRIPTION	SHIPPING WEIGHT LBS (KG)
008521A	Inline Safe-T-Break®	.45 (.20)

## Construction

Body	Aluminum
Seals	Fluorocarbon
Threads	M34 x 1.5

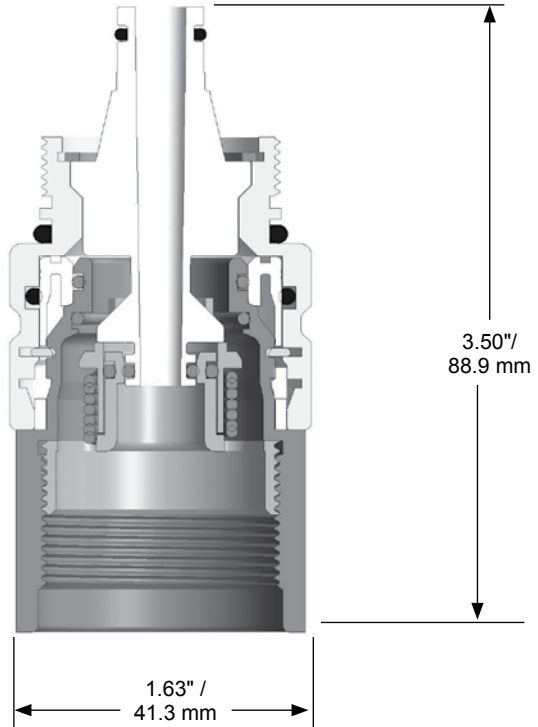


**WARNING:** Cancer and Reproductive Harm—[www.P65Warnings.ca.gov](http://www.P65Warnings.ca.gov)



Inline SAFE-T-BREAK®.

## Dimensions



2325 Husky Way • Pacific, MO 63069  
(800) 325-3558 • Fax (636) 825-7300  
[www.husky.com](http://www.husky.com) • [sales@husky.com](mailto:sales@husky.com)

MADE IN THE U.S.A. 