

# 1GSS Nozzles



**Pressure activated, automatic shut-off nozzle with polymer handguard for farm, 12V skid tanks, large pumps with or without air eliminators and commercial applications.**

- 1GSS nozzle shuts off when:
  - the pump shuts off.
  - the gas tank is full.
  - the lever is opened before the pump is turned on.
  - the leak detector has not completed the test cycle.
- Nozzle is equipped with unique Flo-Stop® device that shuts off the nozzle if it falls from the fill tank or raises above the horizontal.
- Not for use with gravity tanks.
- Not legal for retail dispensing applications.
- Stainless steel reinforced spout bushing keeps spout tip round and acts as a captive fastener to prevent tip-end sensor damage.
- *StreamShaper*® reduces turbulence for straighter fuel flow and less splash back spillage.
- Comes standard with smooth full grip guard.

### New Unleaded Nozzles with NPT

MODEL NO.	DESCRIPTION	SHIPPING WEIGHT LBS (KG)
1216504	with Three Notch Hold Open Clip and Hook	3.6 (1.6)

### New Light Duty Diesel Nozzles with NPT

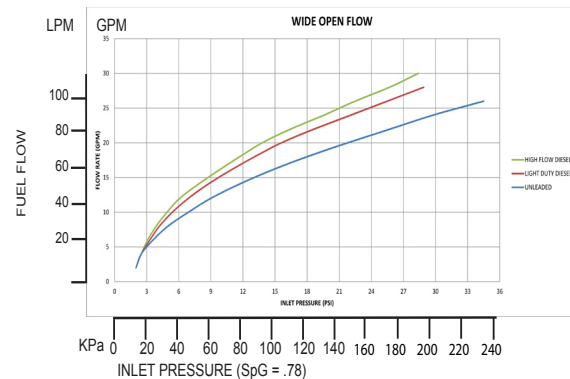
MODEL NO.	DESCRIPTION	SHIPPING WEIGHT LBS (KG)
1216503	with Three Notch Hold Open Clip and Hook	3.6 (1.6)

### New Heavy Duty Diesel Nozzles with NPT

MODEL NO.	DESCRIPTION	SHIPPING WEIGHT LBS (KG)
1216510	with Three Notch Hold Open Clip and Hook without Flo-Stop®	3.6 (1.6)

### Construction

Body	Die cast aluminum body with high impact polymer hand guard
Seals	Fluorocarbon
Packing	Double o-ring seal protected by fiber reinforced Teflon®
Lever	One piece contoured steel with hard plastic cover
Inlet	1" / 25.4 mm NPT



**WARNING:** Cancer and Reproductive Harm - [www.P65Warnings.ca.gov](http://www.P65Warnings.ca.gov)



# 1GSS Nozzles

Pressure activated, automatic shut-off nozzle with polymer handguard for farm, 12V skid tanks, large pumps with or without air eliminators and commercial applications.

## Dimensions and System Options

### Safe-T-Breaks®

MODEL NO.	DESCRIPTION
002276	1" F x 1" F NPT Reconnectable Safe-T-Break®
005812	1" F x 1" F NPT Non-Reconnectable Safe-T-Break®
006301	1" F x 1" F NPT Non-Reconnectable PCC Safe-T-Break®
005231	1" F x 1" F NPT Low Pull Reconnectable Safe-T-Break®
003076	1" F x 1" F BSPP Reconnectable Safe-T-Break®
003076A	1" F x 1" F BSPP Reconnectable Safe-T-Break® - Atex
006914	1" F x 1" F BSPP Non-Reconnectable Safe-T-Break®

### Swivels

MODEL NO.	DESCRIPTION
000087	1" M x 1" F NPT Multi-Plane Swivel
000095	1" M x 1" F NPT 70° Pump Swivel
003395	1" M x 1" F NPT Multi-Plane Restricted Swivel
000352	1" M x 3/4" F NPT Multi-Plane Swivel
000356	1" M x 3/4" F NPT Multi-Plane Swivel Anodized Black
003306	1" M x 1" F BSPP Multi-Plane Swivel
003306A	1" M x 1" F BSPP Multi-Plane Swivel - Atex

### Swivel•Safe-T-Break® Combos

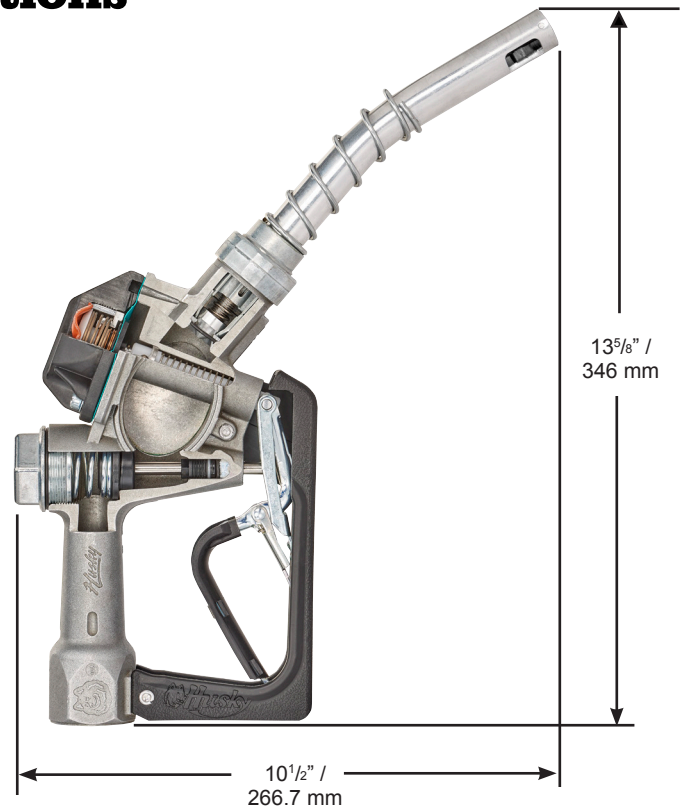
MODEL NO.	DESCRIPTION
005969	1" M NPT Multi-Plane Swivel connected to 1" F NPT Reconnectable Safe-T-Break®
008015	1" M BSPP Multi-Plane Swivel connected to 1" F BSPP Reconnectable Safe-T-Break®
008015A	1" M BSPP Multi-Plane Swivel connected to 1" F BSPP Reconnectable Safe-T-Break® - Atex

### Spouts

MODEL NO.	DESCRIPTION
001473	Unleaded Spout without Flo-Stop®
010434	Unleaded Long Spout without Flo-Stop®
001471	Light Duty Diesel Spout without Flo-Stop® with StreamShaper®
010353	Light Duty Diesel Long Spout without Flo-Stop®
005215	Heavy Duty Diesel Spout with Flo-Stop®

### Accessories, Testing and Maintenance

MODEL NO.	DESCRIPTION
000385	1" M x 3/4" F Reducer Bushing - NPT threads
001717	1" M x 3/4" F Reducer Bushing - BSPP threads
000548	Hanging Hook for Unleaded and Light Duty Diesel Nozzles
003593	Hold Open Clip Kit
007089	Nozzle Service Kit
000397	Unleaded Spout Gauge



### Guards

MODEL NO.	DESCRIPTION
000554	Full Grip Guard
001804	Full Grip Reguard
005494	Lever Guard
000226	Mate Guard
007376	Mate Handle Guard
008180	POPD® EZH Nozzle Guard
008179	POPD® EZS Nozzle Guard
007999	POPD® H Clear Cover
008170	POPD® H Mate Guard
008183	POPD® H Full Grip Guard
008190	POPD® H Full Grip Reguard
006628	POPD® S Clear Cover
006655	POPD® S Full Grip Guard
007210	POPD® S Full Grip Reguard
008169	POPD® S Mate Guard

### Pressure/Vacuum Vents

MODEL NO.	DESCRIPTION
004620	2" Slip-On Pressure Vacuum Vent
004885	2" Thread-On Pressure Vacuum Vent - NPT
005885	2" Thread-On Pressure Vacuum Vent with Internal Screen - NPT



2325 Husky Way • Pacific, MO 63069  
 (800) 325-3558 • Fax (636) 825-7300  
[www.husky.com](http://www.husky.com) • [sales@husky.com](mailto:sales@husky.com)

MADE IN THE U.S.A.