

VIIIS CW Nozzles



4-10

HIGH VOLUME FUELING

Pressure activated nozzle with polymer handguard for self-service and unattended stations.

- VIIIS Nozzle shuts off when:
 - the pump shuts off.
 - the gas tank is full.
 - the lever is opened before the pump is turned on.
 - the leak detector has not completed the test cycle.
- Nozzle is equipped with a unique Flo-Stop® device that shuts off the nozzle if it falls from the fill tank or raises above the horizontal.
- Contains a poppet disc seal, rated at -40° F/C, to prevent fuel leakage from the main seal in extreme cold weather.
- Contains a poppet disc seal designed to prevent fuel leakage from the main seal in extreme cold weather.
- Spout is reinforced with a thick aluminum bushing that holds the spout spring in place and keeps the spout from rounding in - the two leading causes of clicking-off and splash-back spillage.

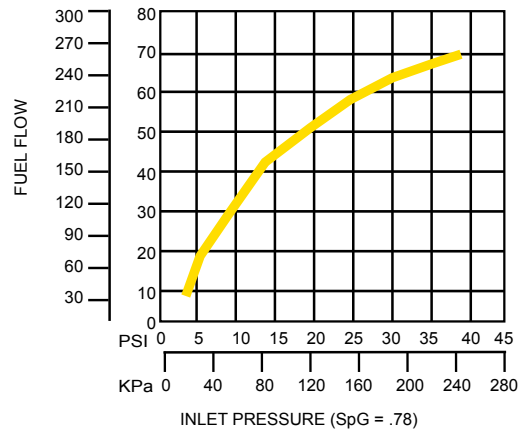


New Nozzles

MODEL NO.	DESCRIPTION	SHIPPING WEIGHT LBS (KG)
651910	with Three Notch Hold Open Clip, Waffle Splash Guard and Spout Bushing	4.6 (2.0)
652110	with Three Notch Hold Open Clip and Waffle Splash Guard, without Spout Bushing	4.5 (2.0)
6519159	without Hold Open Clip, with Waffle Splash Guard and Spout Bushing	4.5 (2.0)

Construction

Body	Aluminum
Seals	Fluorocarbon
Packing	Double o-ring seal protected by fiber reinforced Teflon®
Lever	One piece contoured steel with hard plastic cover
Inlet LPM	25.4 mm NPT WIDE OPEN FLOW



WARNING: Cancer and Reproductive Harm—www.P65Warnings.ca.gov



VIIIS CW Nozzles

Pressure activated nozzle with polymer handguard for self-service and unattended stations.

Dimensions and System Options

Safe-T-Breaks®

MODEL NO.	DESCRIPTION
002276	1" F x 1" F Reconnectable Safe-T-Break®
005812	1" F x 1" F Non-Reconnectable Safe-T-Break®
006301	1" F x 1" F Non-Reconnectable PCC Safe-T-Break®
005231	1" F x 1" F Low Pull Reconnectable Safe-T-Break®

Swivels

MODEL NO.	DESCRIPTION
000087	1" M x 1" F Multi-Plane Swivel
004860	1" M x 1" F Multi-Plane High Volume Swivel
000095	1" M x 1" F Multi-Plane 70° Pump Swivel
003395	1" M x 1" F Multi-Plane Restricted Swivel

Swivel•Safe-T-Break® Combos

MODEL NO.	DESCRIPTION
005969	1" M Multi-Plane Swivel connected to 1" F Reconnectable Safe-T-Break®

Spouts

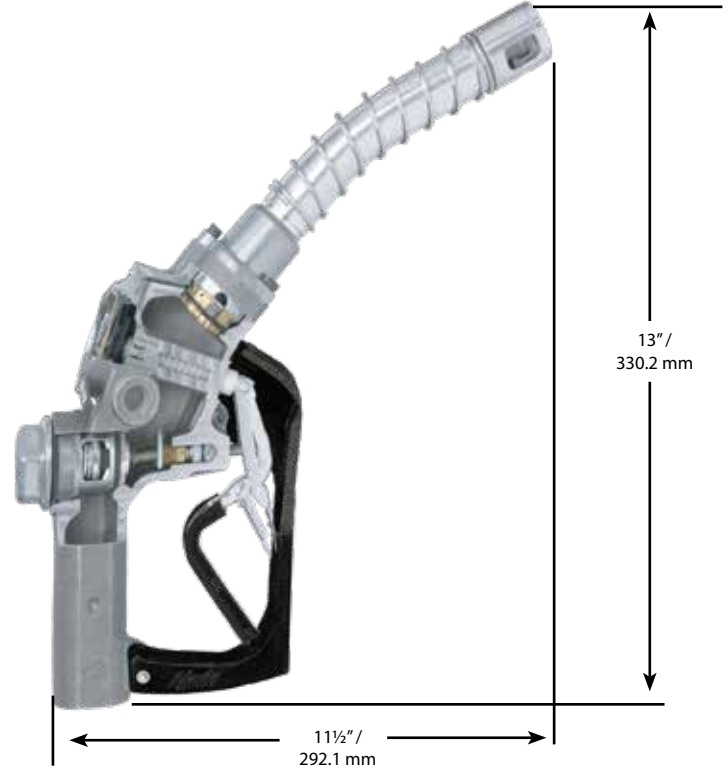
MODEL NO.	DESCRIPTION
002279	Complete Spout Assembly Kit with Bushing
005017	Complete Spout Assembly Kit without Bushing
003589	Complete Long Spout Assembly with Spout Bushing
011043	Complete Spout Assembly without Bushing and Small Spout Spring

Pressure/Vacuum Vents

MODEL NO.	DESCRIPTION
004620	2" Slip-On Pressure Vacuum Vent
004885	2" Thread-On Pressure Vacuum Vent - NPT
005885	2" Thread-On Pressure Vacuum Vent with Internal Screen - NPT

Accessories, Testing and Maintenance

MODEL NO.	DESCRIPTION
003593	Hold Open Clip Kit
007089	Nozzle Service Kit
006645	Plunger Assembly Lift Tool



Guards

MODEL NO.	DESCRIPTION
004740	Full Grip Guard
005516	Full Grip Reguard
005494	Lever Guard
008178	POPD® EZH Nozzle Guard
008177	POPD® EZS Nozzle Guard
007999	POPD® H Clear Cover
008186	POPD® H Full Grip Guard
008193	POPD® H Full Grip Reguard
008168	POPD® H Mate Guard
006628	POPD® S Clear Cover
007352	POPD® S Full Grip Guard
008194	POPD® S Full Grip Reguard
008167	POPD® S Mate Guard
001808	Waffle Splash Guard



2325 Husky Way • Pacific, MO 63069
 (800) 325-3558 • Fax (636) 825-7300
www.husky.com • sales@husky.com

MADE IN THE U.S.A.