

# Diesel Swivels



Husky® high volume delivery swivels make it easier to manipulate the long, heavy hoses used on bulk delivery systems.

- Prevents kinking and twisting of hose.
- Unique stainless steel ball bearing design provides easier joint movement during high pressure applications.
- Easier to angle the nozzle into fill openings.

Model 005265



### NPT

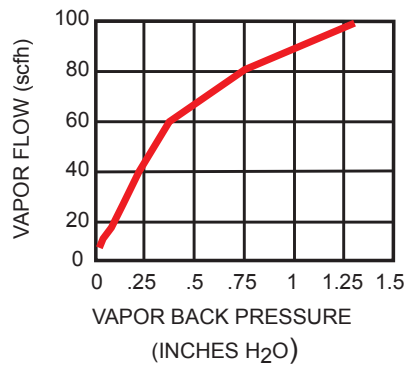
MODEL NO.	DESCRIPTION	SHIPPING WEIGHT LBS (KG)
005235	1¼" F x 1¼" M Single Plane Swivel	1.4 (.65)
005240	1¼" F x 1½" M Single Plane Swivel	1.4 (.65)
005265	1½" F x 1¼" M Single Plane Swivel	1.4 (.65)
005266	1½" F x 1½" M Single Plane Swivel	1.4 (.65)

### BSPP

MODEL NO.	DESCRIPTION	SHIPPING WEIGHT LBS (KG)
005754	1¼" F x 1½" M Single Plane Swivel	1.4 (.65)
005755	1½" F x 1½" M Single Plane Swivel	1.4 (.65)

### Construction

Body	Aluminum
Seals	Fluorocarbon

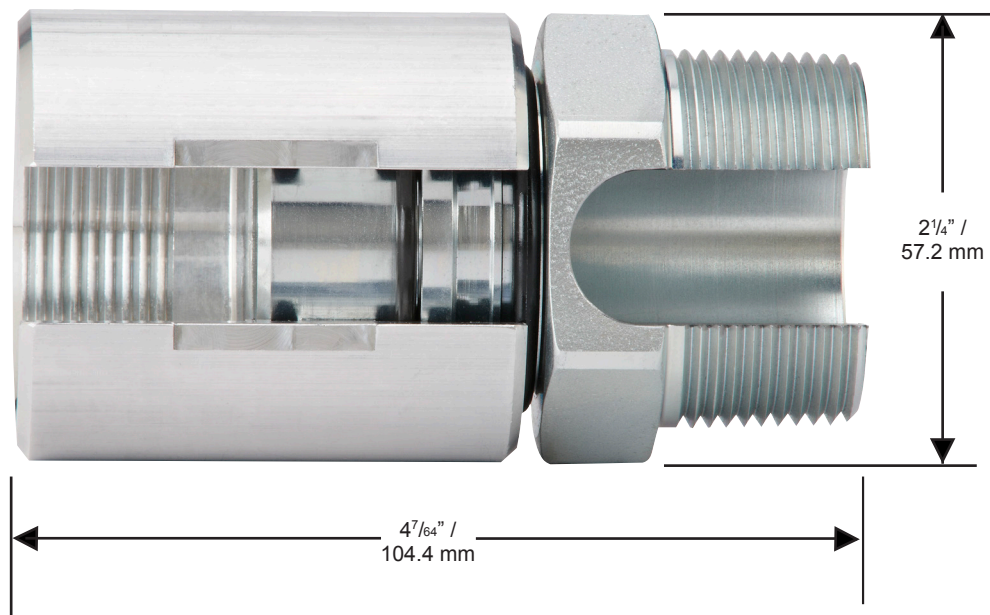


WARNING: Cancer and Reproductive Harm - www.P65Warnings.ca.gov

Husky high volume delivery swivels make it easier to manipulate the long, heavy hoses used on bulk delivery systems.

## Dimensions

Model 005235, 005240, 005265 and 005266



2325 Husky Way • Pacific, MO 63069  
 (800) 325-3558 • Fax (636) 825-7300  
[www.husky.com](http://www.husky.com) • [sales@husky.com](mailto:sales@husky.com)

MADE IN THE U.S.A. 